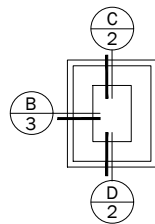
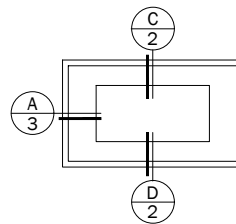


400 SERIES

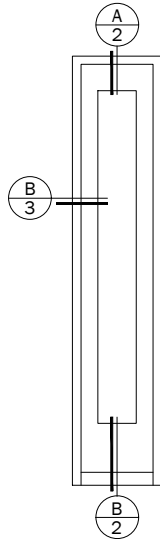
Frenchwood® Patio Door Sidelights & Transoms



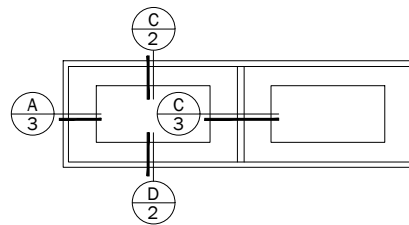
Frenchwood®
Sidelight Transom



Frenchwood®
Transom
(1-Panel)



Frenchwood®
Sidelight



Frenchwood®
Transom
(2-Panel)

Notes:

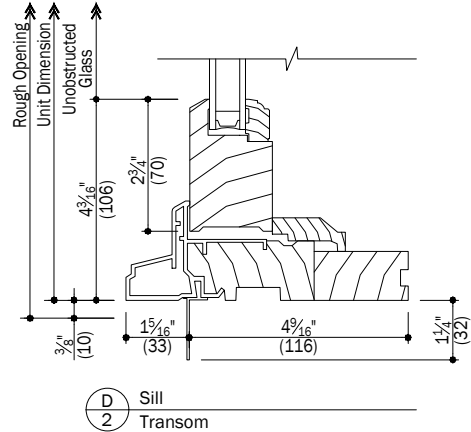
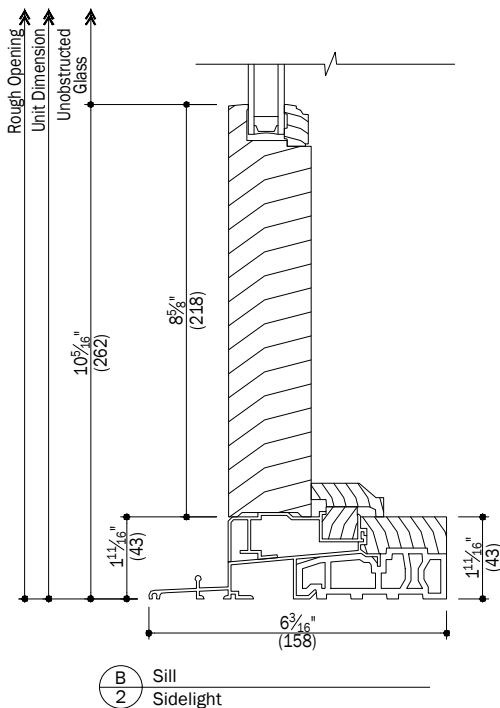
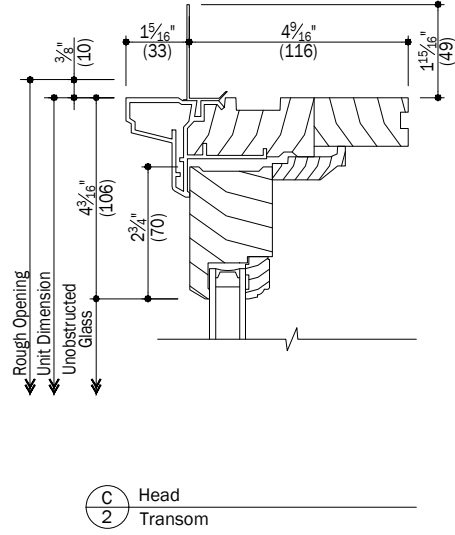
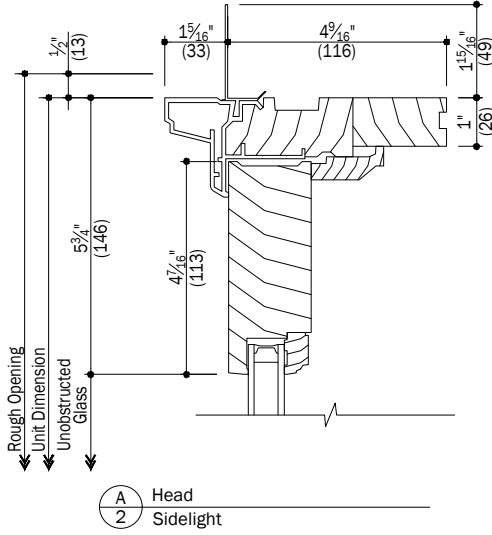
Details have been optimized for use in architectural software and do not match manufacturing specifications. Dimensions in parentheses are in millimeters.

See Pages 4 & 5 for Accessories

Date: 10/04/16
Scale: None

400 SERIES

Frenchwood® Patio Door Sidelights & Transoms



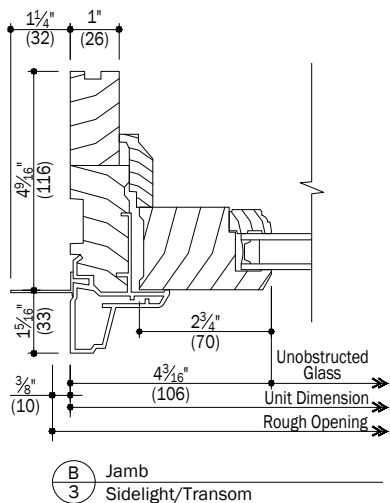
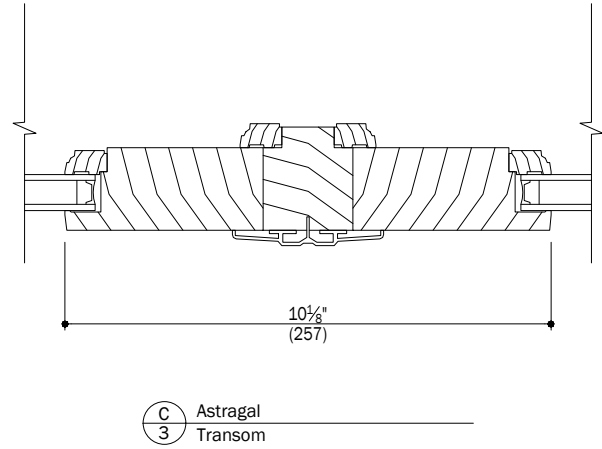
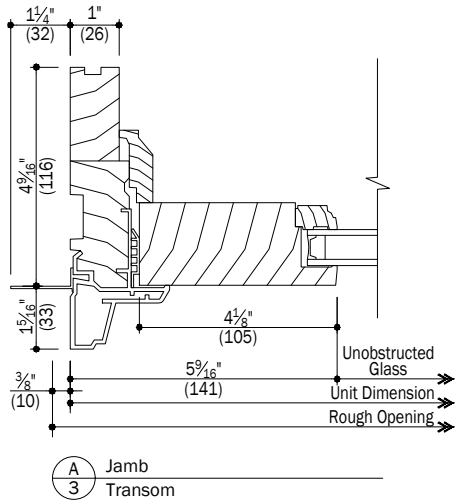
Notes:

Details have been optimized for use in architectural software and do not match manufacturing specifications. Dimensions in parentheses are in millimeters.

See Pages 4 & 5 for Accessories

400 SERIES

Frenchwood® Patio Door Sidelights & Transoms



Notes:

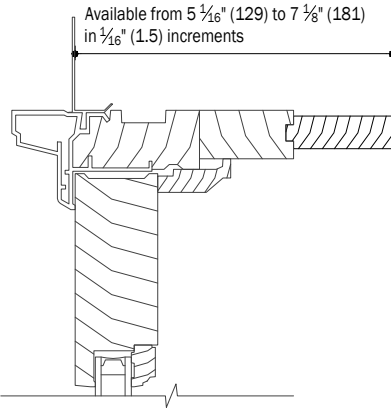
Details have been optimized for use in architectural software and do not match manufacturing specifications. Dimensions in parentheses are in millimeters.

See Pages 4 & 5 for Accessories

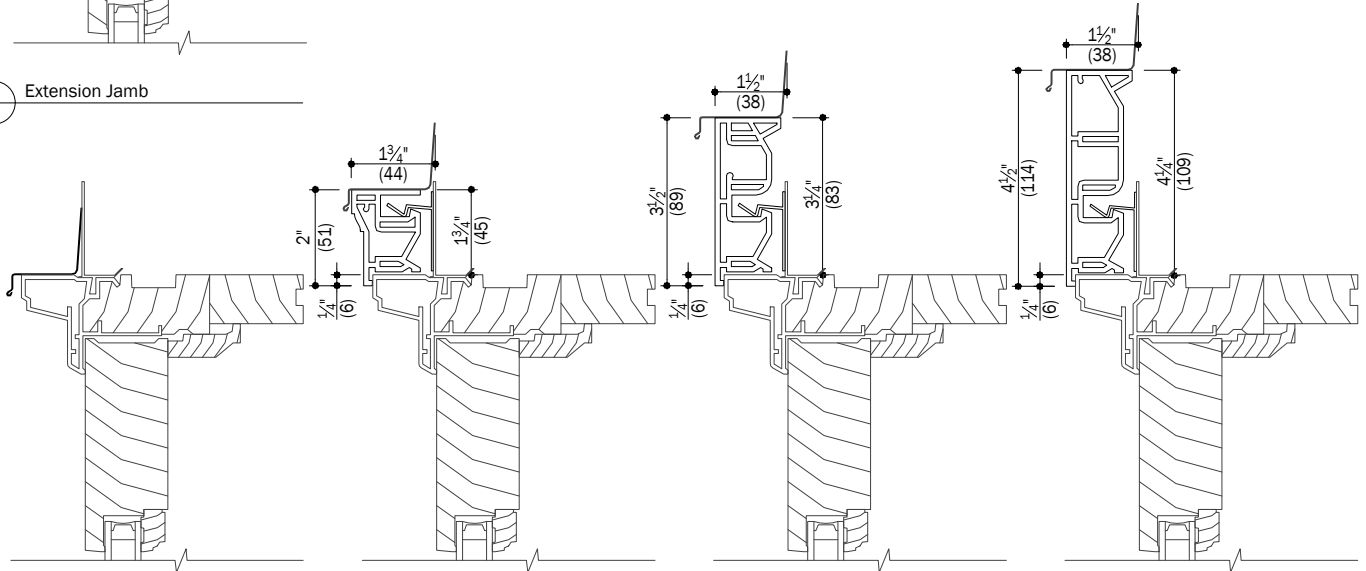
Date: 10/04/16
 Scale: 3" (76) = 1' (305)

400 SERIES

Frenchwood® Patio Door Sidelights & Transoms Accessories



A
4 Extension Jamb

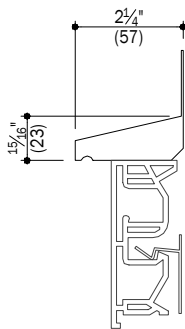


B
4 Drip Cap

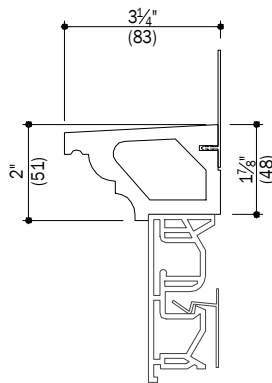
D
4 2" Brick Mould

E
4 3 1/2" Flat Casing

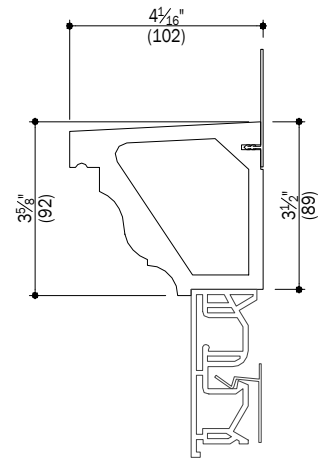
G
4 4 1/2" Flat Casing



C
4 Decorative Drip Cap



F
4 2" Cornice



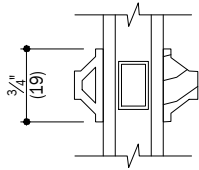
H
4 3 5/8" Cornice

Notes:

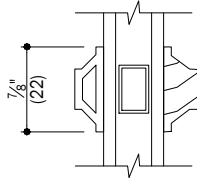
Details have been optimized for use in architectural software and do not match manufacturing specifications.
Dimensions in parentheses are in millimeters.

400 SERIES

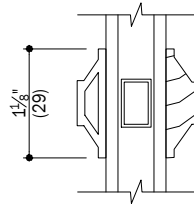
Frenchwood® Patio Door Sidelights & Transoms Accessories



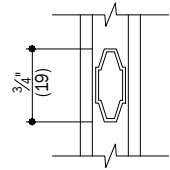
A
5 $\frac{3}{4}$ " Full Divided Light



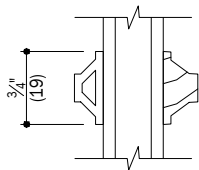
E
5 $\frac{7}{8}$ " Full Divided Light



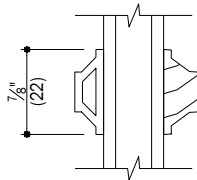
J
5 $1\frac{1}{8}$ " Full Divided Light



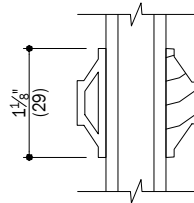
M
5 $\frac{3}{4}$ " Finelight



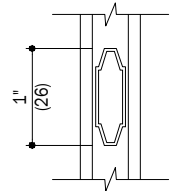
B
5 $\frac{3}{4}$ " Simulated Divided Light
Removable interior is available



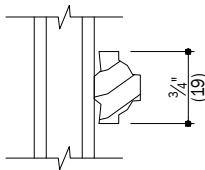
F
5 $\frac{7}{8}$ " Simulated Divided Light
Removable interior is available



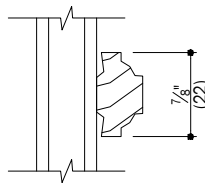
K
5 $1\frac{1}{8}$ " Simulated Divided Light
Removable interior is available



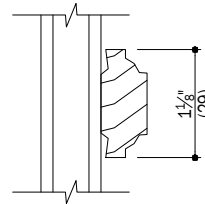
N
5 1" Finelight



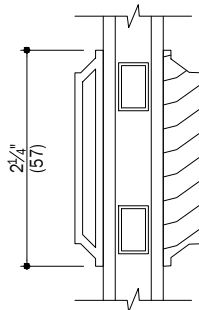
C
5 $\frac{3}{4}$ " Removable Interior Grille



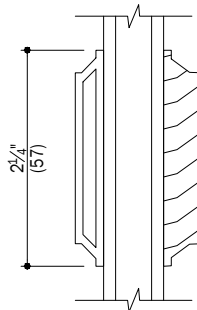
G
5 $\frac{7}{8}$ " Removable Interior Grille



L
5 $1\frac{1}{8}$ " Removable Interior Grille



D
5 $2\frac{1}{4}$ " Full Divided Light
Simulated check rail



H
5 $2\frac{1}{4}$ " Simulated Divided Light
Simulated check rail

Notes:

Details have been optimized for use in architectural software and do not match manufacturing specifications. Dimensions in parentheses are in millimeters.