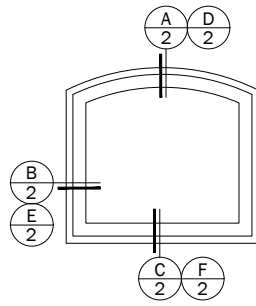
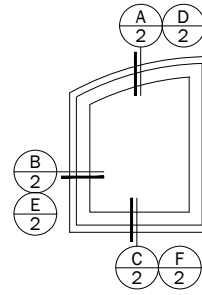


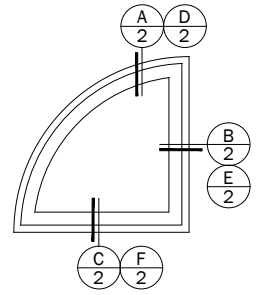
Springline Sash-Set



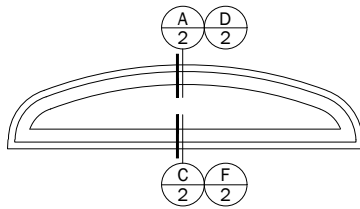
Arch Window Sash-Set



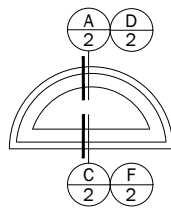
Unequal Leg Arch Sash-Set



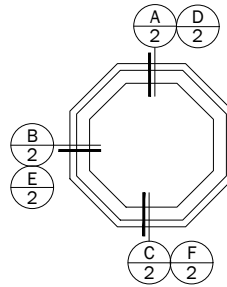
Quarter Round Sash-Set



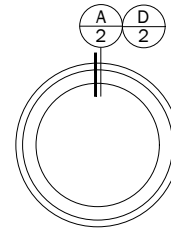
Elliptical Sash-Set



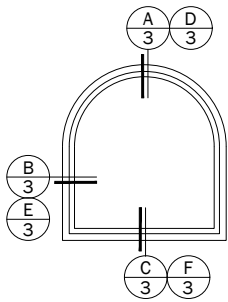
Half Circle Sash-Set



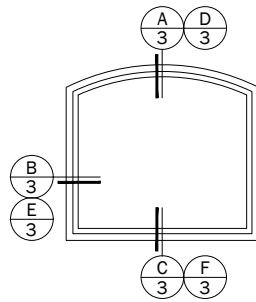
Octagon Sash-Set



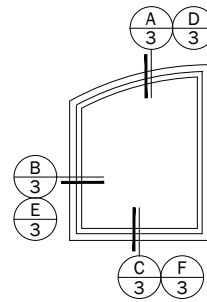
Circle Sash-Set



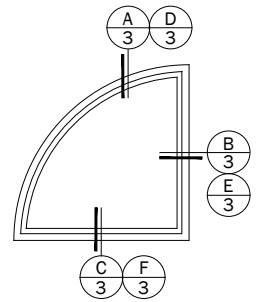
Springline Direct-Set



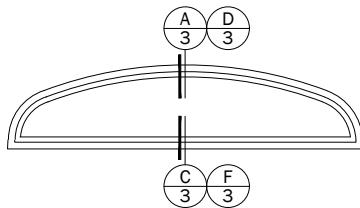
Arch Window Direct-Set



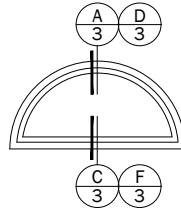
Unequal Leg Arch Direct-Set



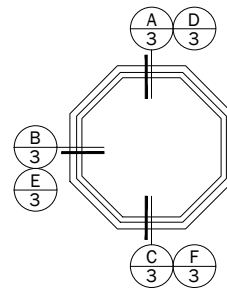
Quarter Round Direct-Set



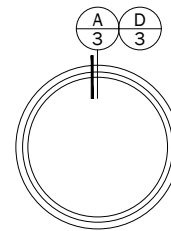
Elliptical Direct-Set



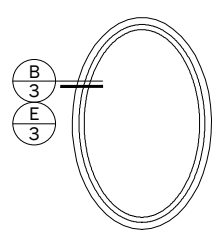
Half Circle Direct-Set



Octagon Direct-Set



Circle Direct-Set



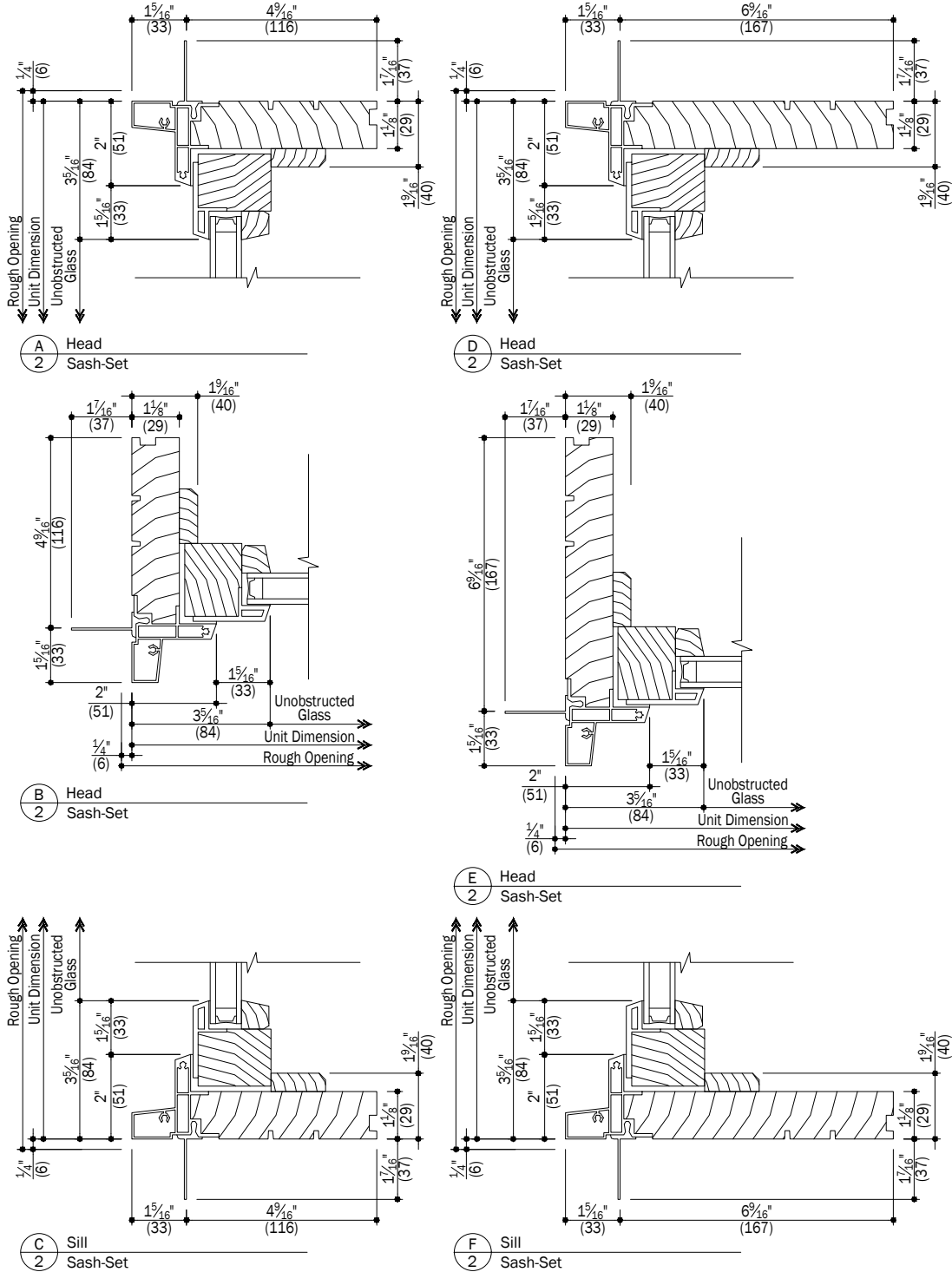
Oval Direct-Set

Notes:

Details have been optimized for use in architectural software and do not match manufacturing specifications. Dimensions in parentheses are in millimeters.

See Pages 4 & 5 for Accessories

Date: 03/29/16
Scale: None



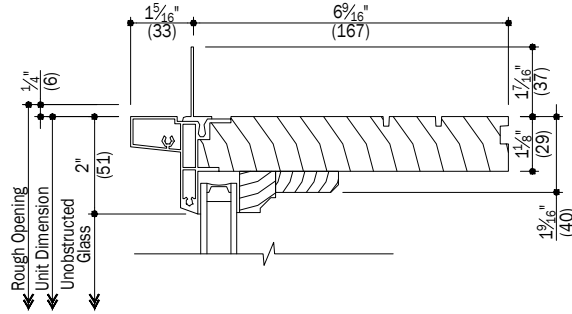
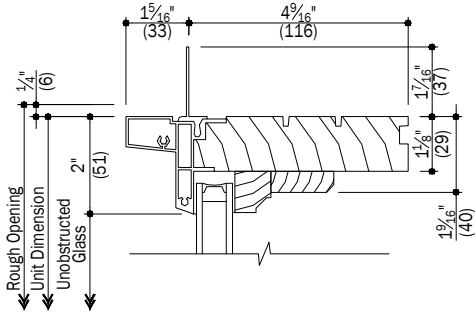
Notes:

Details have been optimized for use in architectural software and do not match manufacturing specifications. Dimensions in parentheses are in millimeters.

See Pages 4 & 5 for Accessories

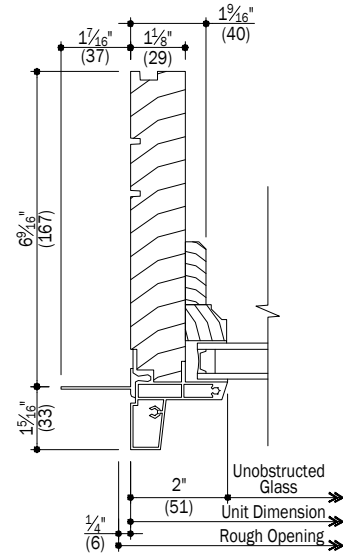
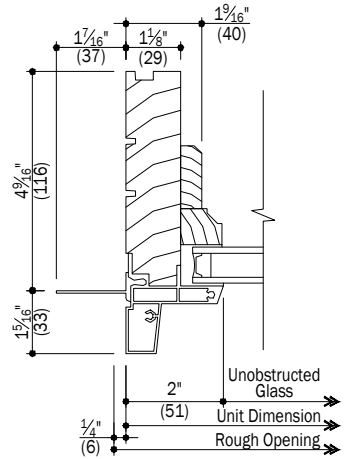
Date: 03/29/16
 Scale: 3" (76) = 1' (305)

Specialty Windows



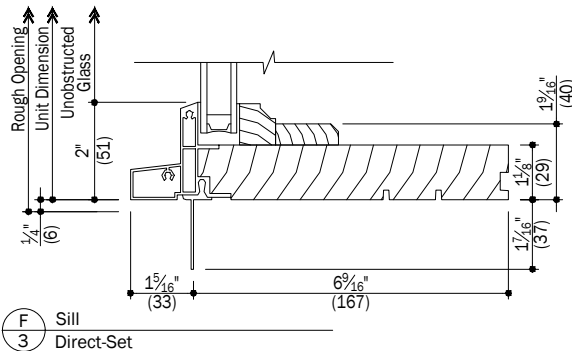
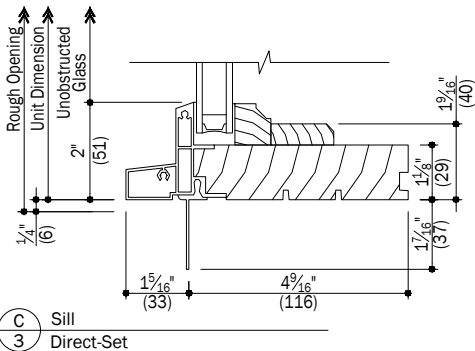
A Head
3 Direct-Set

D Head
3 Direct-Set



B Head
3 Direct-Set

E Head
3 Direct-Set



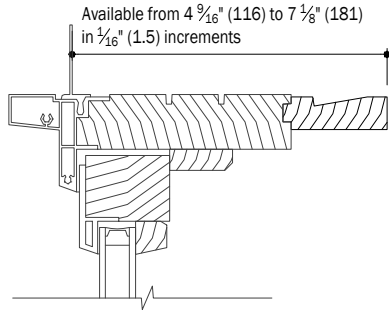
C Sill
3 Direct-Set

F Sill
3 Direct-Set

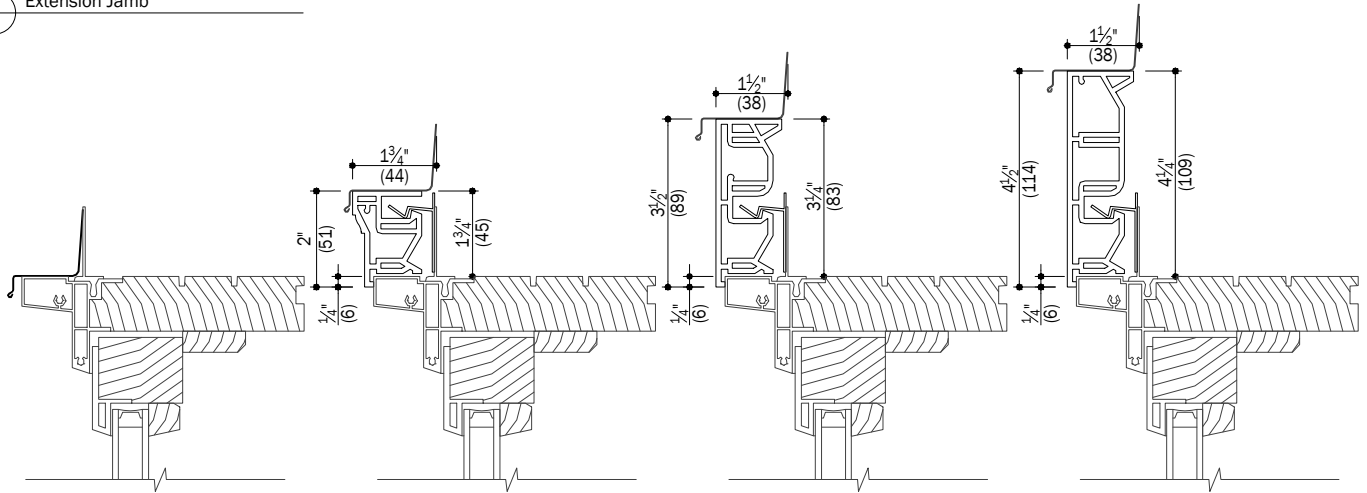
Notes:

Details have been optimized for use in architectural software and do not match manufacturing specifications. Dimensions in parentheses are in millimeters.

See Pages 4 & 5 for Accessories



A
 4 Extension Jamb

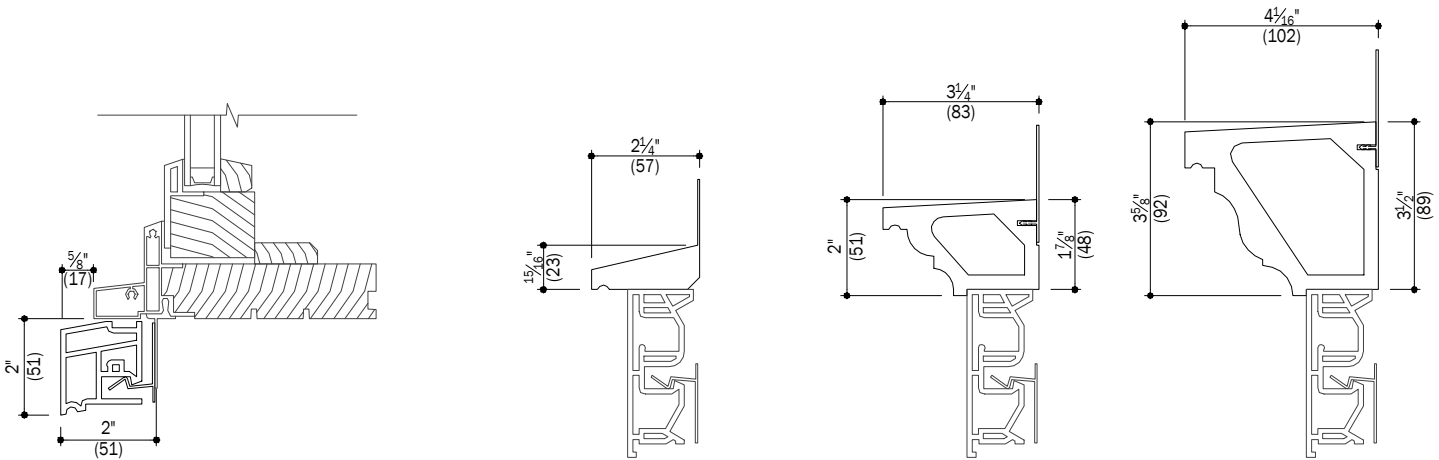


B
 4 Drip Cap

C
 4 2" Brick Mould

D
 4 3 1/2" Flat Casing

E
 4 4 1/2" Flat Casing



F
 4 Sill Nose

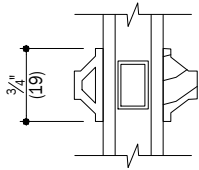
G
 4 Decorative Drip Cap

H
 4 2" Cornice

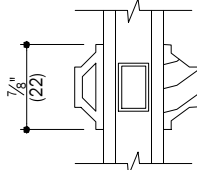
J
 4 3 5/8" Cornice

Notes:

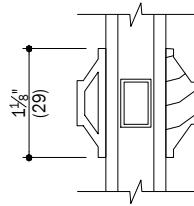
Details have been optimized for use in architectural software and do not match manufacturing specifications.
 Dimensions in parentheses are in millimeters.



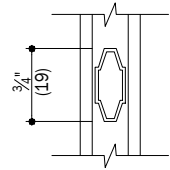
A
5 $\frac{3}{4}$ " Full Divided Light



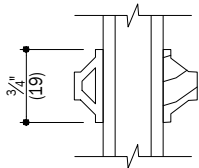
E
5 $\frac{7}{8}$ " Full Divided Light



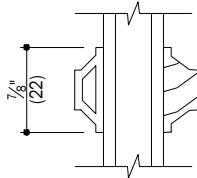
J
5 $1 \frac{1}{8}$ " Full Divided Light



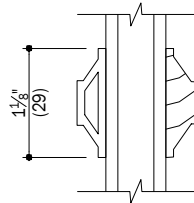
M
5 $\frac{3}{4}$ " Finelight



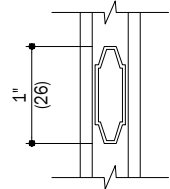
B
5 $\frac{3}{4}$ " Simulated Divided Light
Removable interior is available



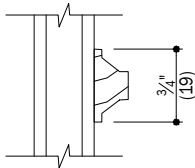
F
5 $\frac{7}{8}$ " Simulated Divided Light
Removable interior is available



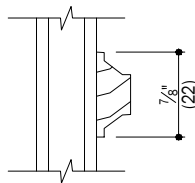
K
5 $1 \frac{1}{8}$ " Simulated Divided Light
Removable interior is available



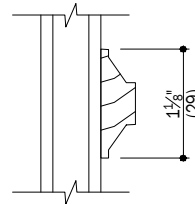
N
5 1" Finelight



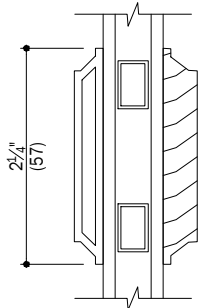
C
5 $\frac{3}{4}$ " Removable Interior Grille



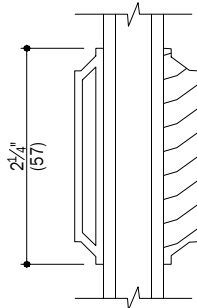
G
5 $\frac{7}{8}$ " Removable Interior Grille



L
5 $1 \frac{1}{8}$ " Removable Interior Grille



D
5 $2 \frac{1}{4}$ " Full Divided Light
Simulated check rail



H
5 $2 \frac{1}{4}$ " Simulated Divided Light
Simulated check rail

Notes:

Details have been optimized for use in architectural software and do not match manufacturing specifications. Dimensions in parentheses are in millimeters.