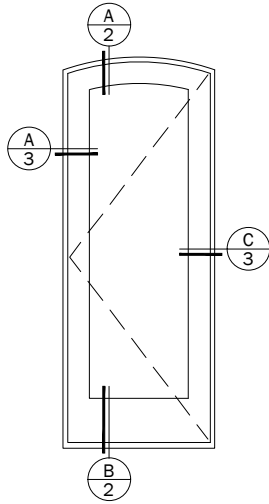
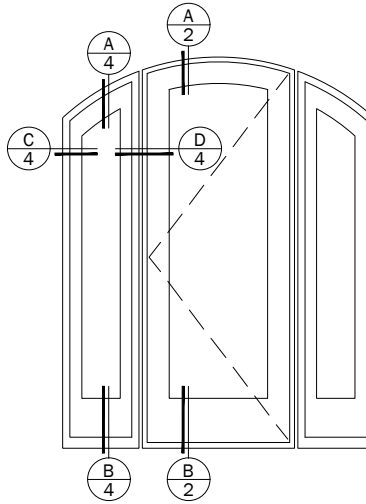


# Complementary Products

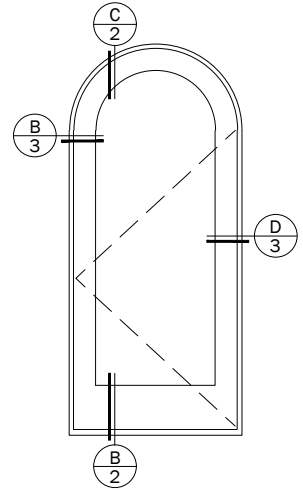
Outswing Patio Doors



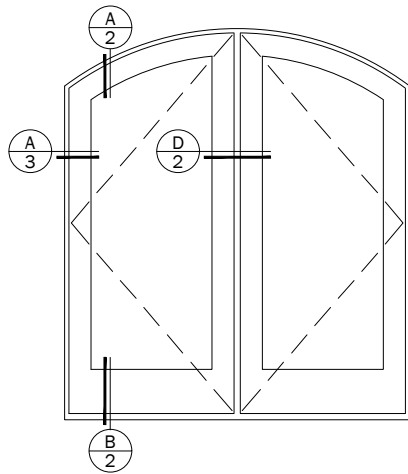
Archtop  
Single Door



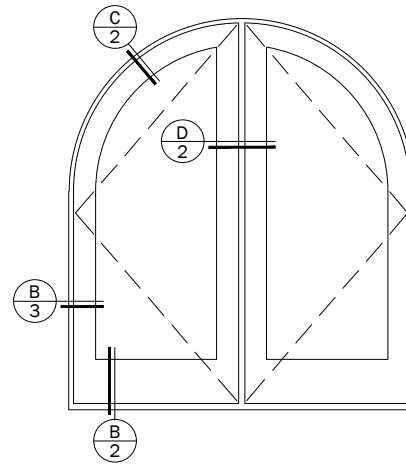
Archtop  
Single Door with Sidelights



Springline  
Single Door



Archtop  
Double Door



Springline  
Double Door

**Notes:**

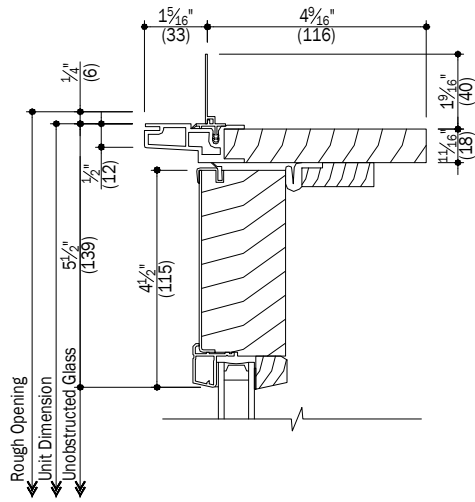
Details have been optimized for use in architectural software and do not match manufacturing specifications. Dimensions in parentheses are in millimeters.

See Pages 5-6 for Accessories

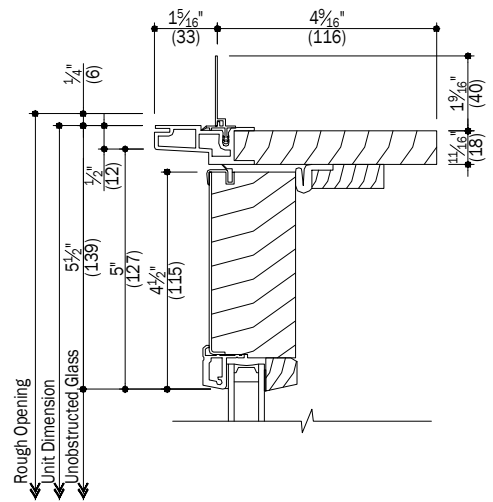
Date: 06/07/19  
Scale: None

# Complementary Products

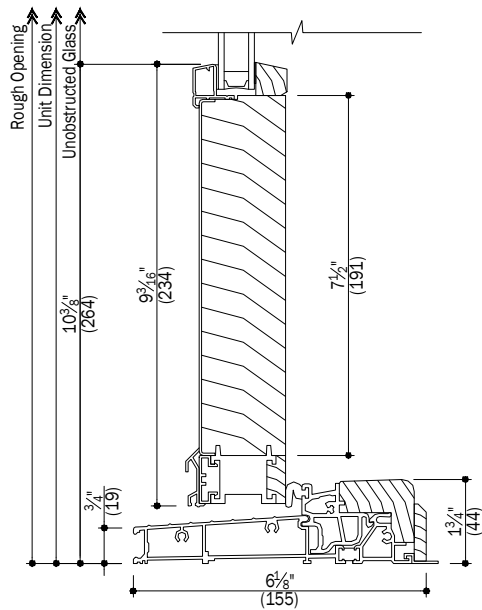
Outswing Patio Doors



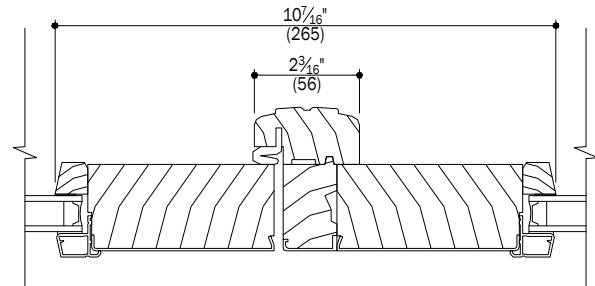
Ⓐ Head (Archtop)



Ⓑ Head (Springline)



Ⓒ Sill



Ⓓ Astragal

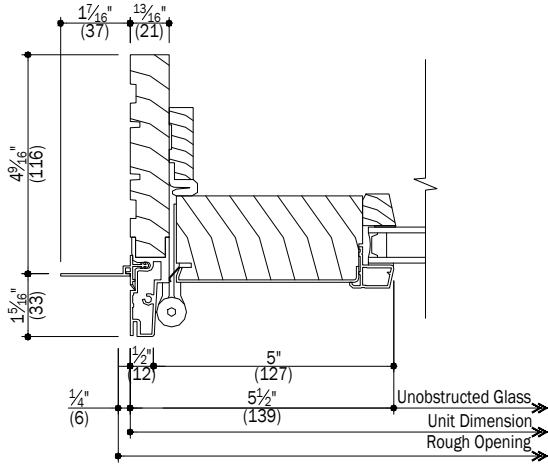
**Notes:**

Details have been optimized for use in architectural software and do not match manufacturing specifications. Dimensions in parentheses are in millimeters.

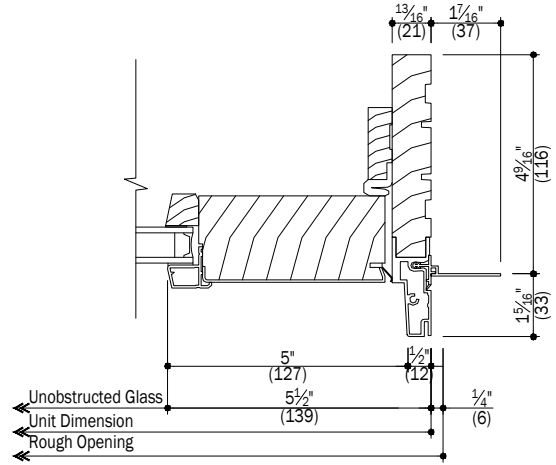
See Pages 5-6 for Accessories

# Complementary Products

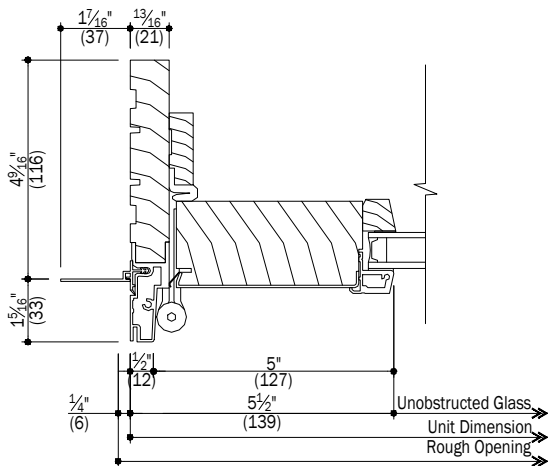
Outswing Patio Doors



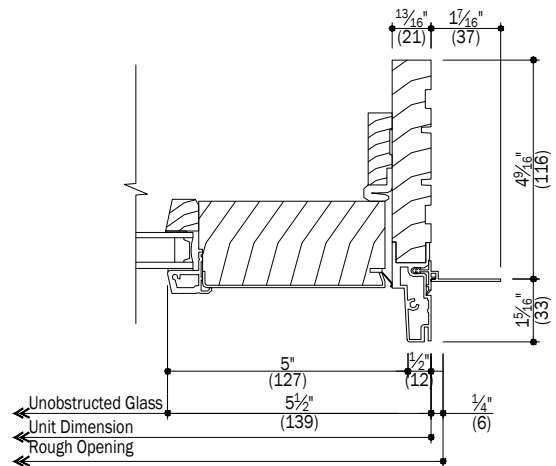
**A** Jamb (Archtop)  
**3** Hinge Side



**C** Jamb (Archtop)  
**3** Lock Side



**B** Jamb (Springline)  
**3** Hinge Side



**D** Jamb (Springline)  
**3** Lock Side

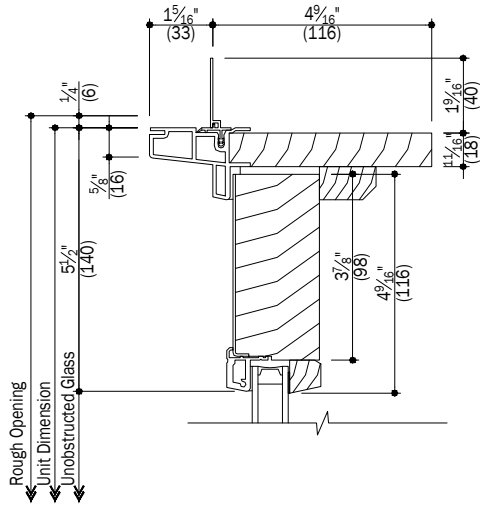
**Notes:**

Details have been optimized for use in architectural software and do not match manufacturing specifications. Dimensions in parentheses are in millimeters.

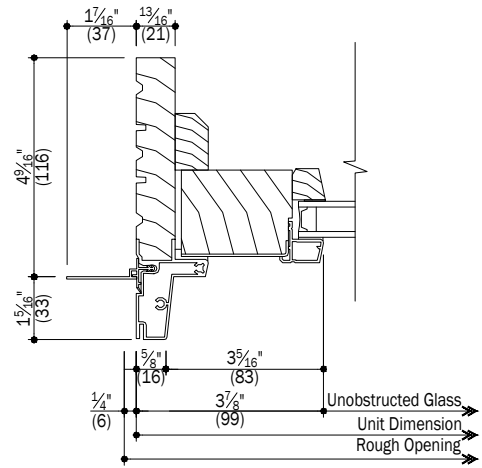
See Pages 5-6 for Accessories

# Complementary Products

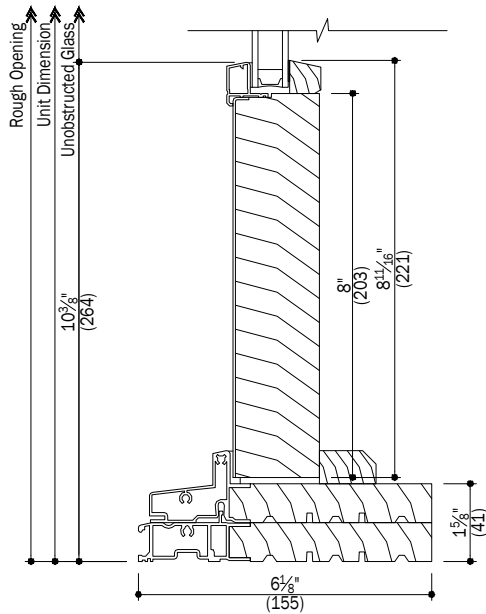
Outswing Patio Doors



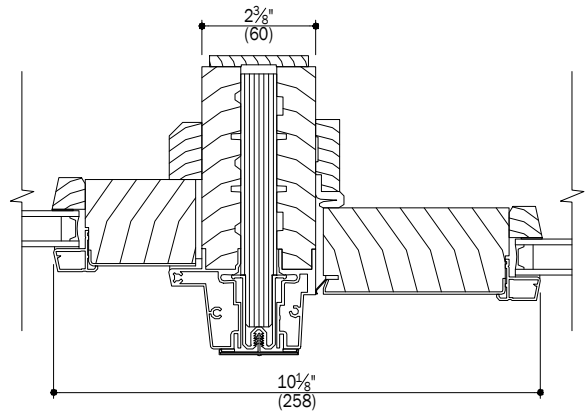
**A** Head  
**4** Sidelight



**C** Jamb  
**4** Sidelight



**B** Sill  
**4** Sidelight



**D** Vertical Joint  
**4** Sidelight / Archtop Door

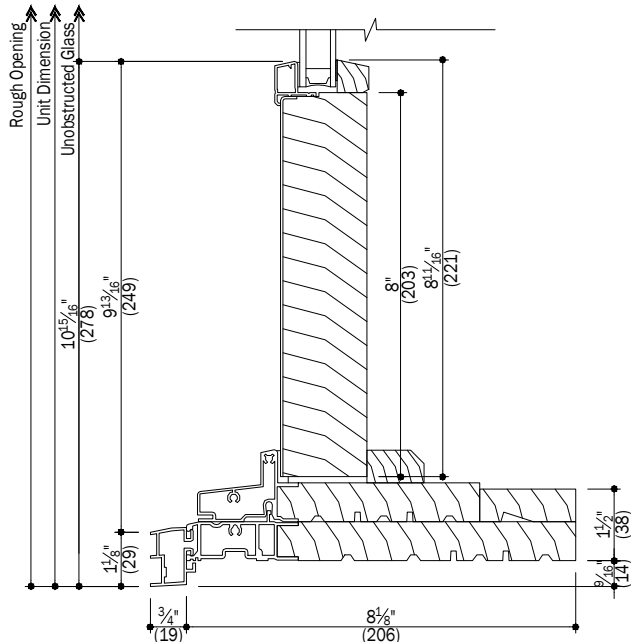
**Notes:**

Details have been optimized for use in architectural software and do not match manufacturing specifications. Dimensions in parentheses are in millimeters.

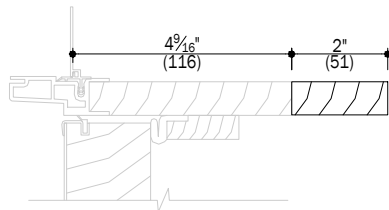
See Pages 5-6 for Accessories

# Complementary Products

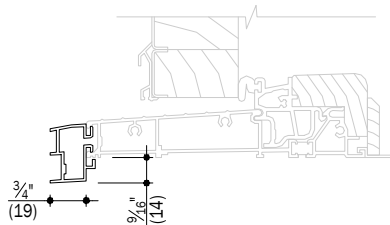
Outswing Patio Doors



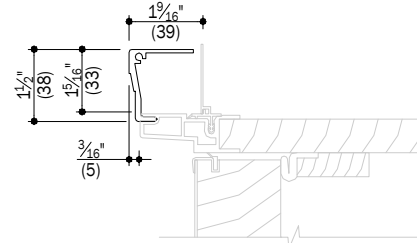
**A**  
5 Sill (Sidelite)  
Stationary



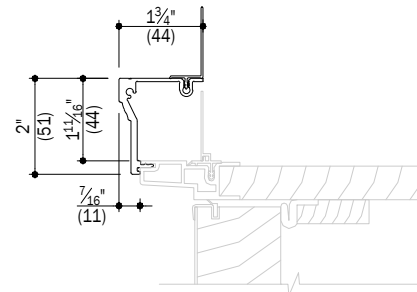
**B**  
5 Head (Arch)



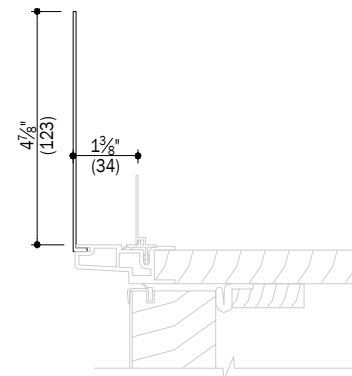
**C**  
5 Drop-Nose Channel



**D**  
5 Aluminum Clad Brickmould  
Bendable



**E**  
5 2" Aluminum Clad Brickmould



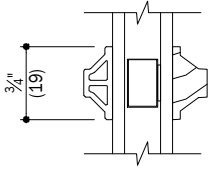
**F**  
5 5" Aluminum Clad Frame Expander

**Notes:**

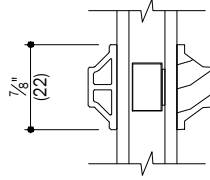
Details have been optimized for use in architectural software and do not match manufacturing specifications. Dimensions in parentheses are in millimeters.

# Complementary Products

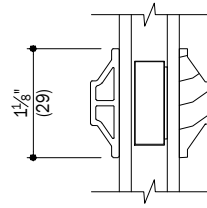
Outswing Patio Doors



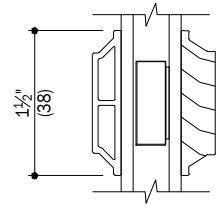
**A**  
6 3/4" Full Divided Light



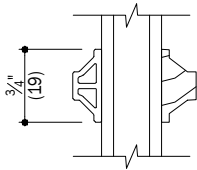
**E**  
6 7/8" Full Divided Light



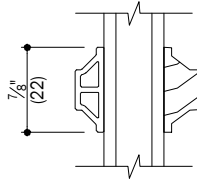
**J**  
6 1 1/8" Full Divided Light



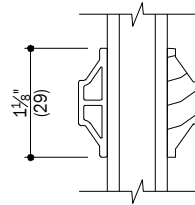
**N**  
6 1 1/2" Full Divided Light



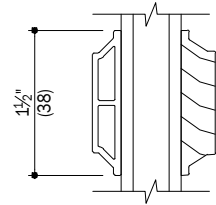
**B**  
6 3/4" Simulated Divided Light  
Removable interior is available



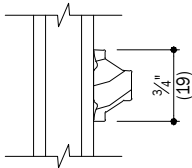
**F**  
6 7/8" Simulated Divided Light  
Removable interior is available



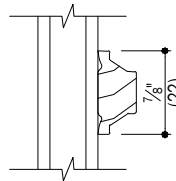
**K**  
6 1 1/8" Simulated Divided Light  
Removable interior is available



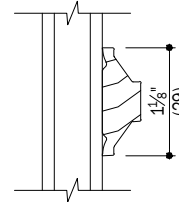
**P**  
6 1 1/2" Simulated Divided Light



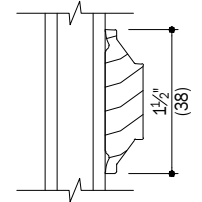
**C**  
6 3/4" Removable Interior Grille



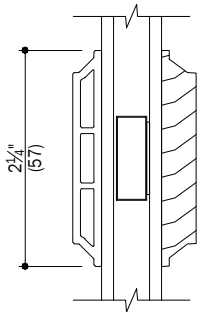
**G**  
6 7/8" Removable Interior Grille



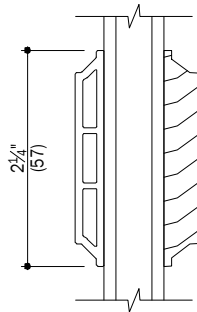
**L**  
6 1 1/8" Removable Interior Grille



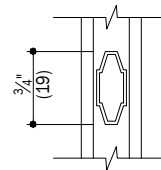
**Q**  
6 1 1/2" Removable Interior Grille



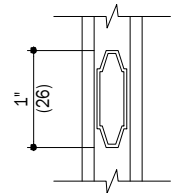
**D**  
6 2 1/4" Full Divided Light  
Simulated check rail



**H**  
6 2 1/4" Simulated Divided Light  
Simulated check rail



**M**  
6 3/4" Finelight



**R**  
6 1" Finelight

**Notes:**

Details have been optimized for use in architectural software and do not match manufacturing specifications. Dimensions in parentheses are in millimeters.

Date: 06/07/19  
Scale: 6" (76) = 1' (305)