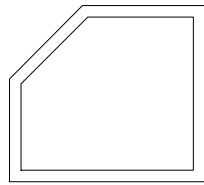
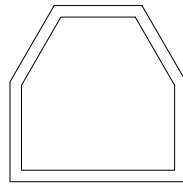


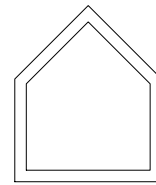
Rectangle



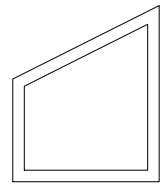
Angled Pentagon



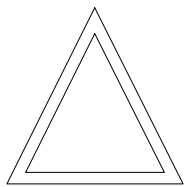
Unequal Hexagon



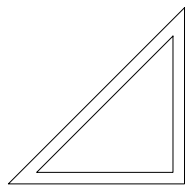
Peak Pentagon



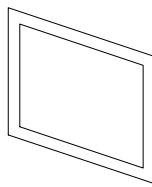
Trapezoid



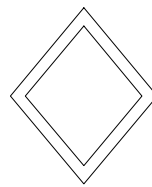
Isosceles Triangle



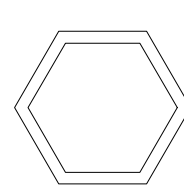
Right Triangle



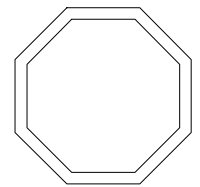
Horizontal/Pitched  
Parallelogram



Diamond Parallelogram



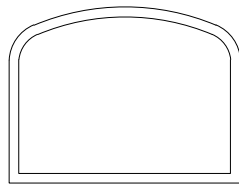
Equilateral Hexagon



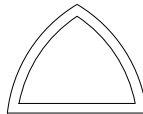
Equilateral Octagon



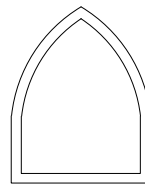
Elliptical



Extended Elliptical



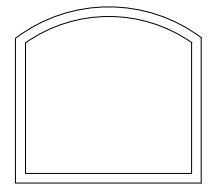
Gothic



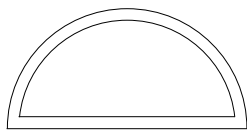
Extended Gothic



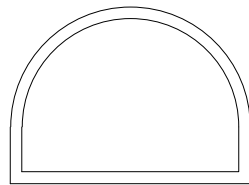
Eyebrow



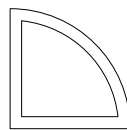
Arch



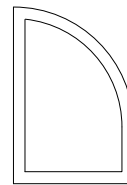
Half Circle



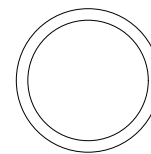
Springline™



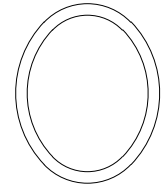
Quarter Circle



Extended Quarter Circle



Full Circle



Oval

**Notes:**

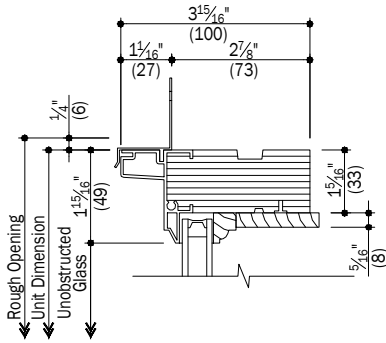
Details have been optimized for use in architectural software and do not match manufacturing specifications. Dimensions in parentheses are in millimeters.

See Pages 3 Thru 12 for Options and Accessories

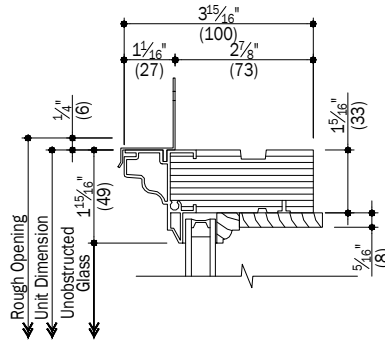
Date: 02/06/18  
Scale: None

# E-Series

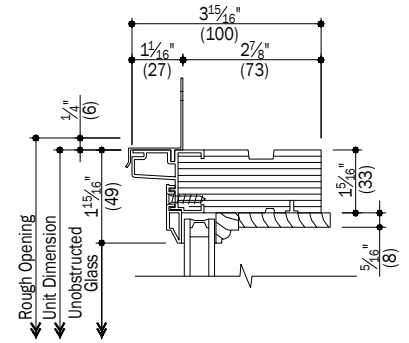
## Specialty Windows



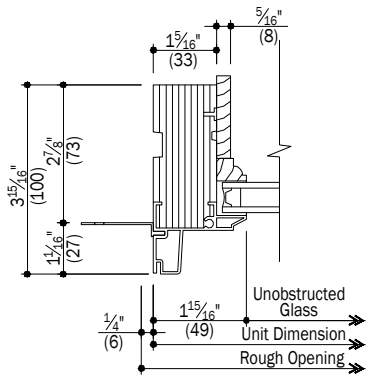
**A** Head  
2 Casement Auxiliary



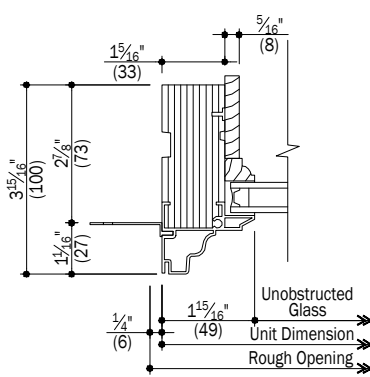
**D** Head  
2 Double Hung Auxiliary



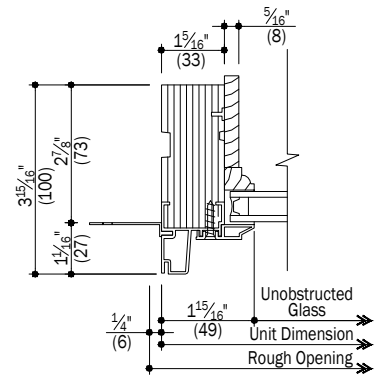
**G** Head  
2 Exterior Glazed Auxiliary  
Rectangle units only



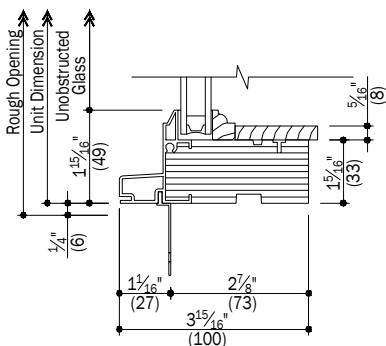
**B** Jamb  
2 Casement Auxiliary



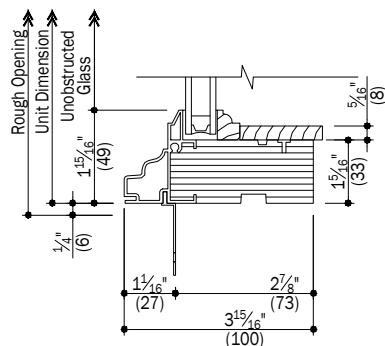
**E** Jamb  
2 Double Hung Auxiliary



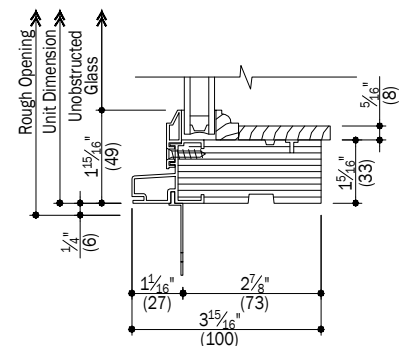
**H** Jamb  
2 Exterior Glazed Auxiliary  
Rectangle units only



**C** Sill  
2 Casement Auxiliary



**F** Sill  
2 Double Hung Auxiliary

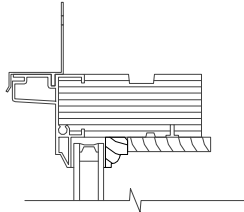


**J** Sill  
2 Exterior Glazed Auxiliary  
Rectangle units only

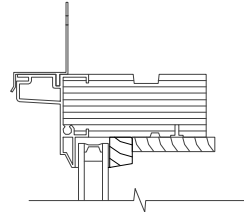
### Notes:

Details have been optimized for use in architectural software and do not match manufacturing specifications. Dimensions in parentheses are in millimeters.

**See Pages 3 Thru 12 for Options and Accessories**



**A**  
3 Colonial Glazing Stop

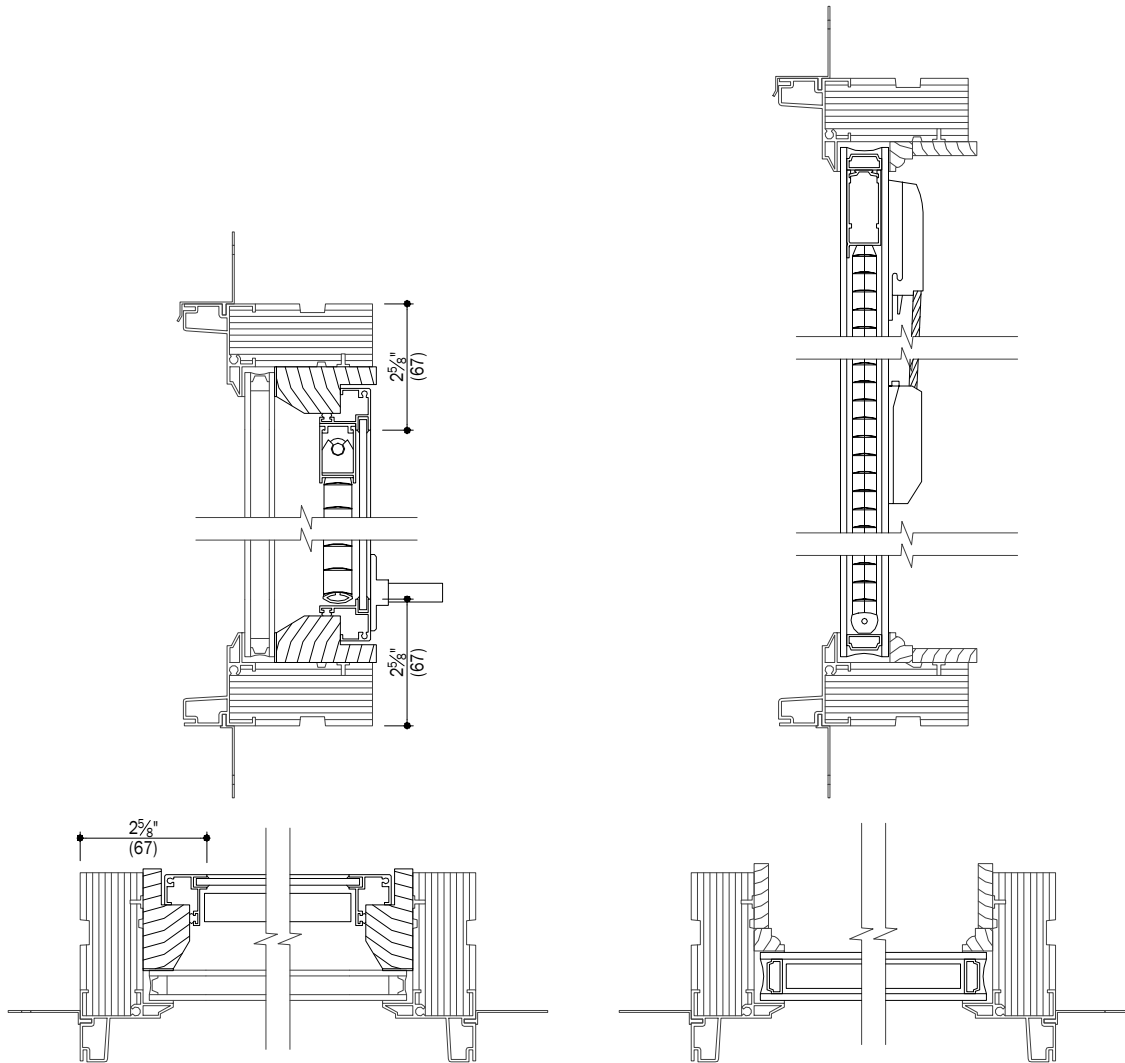


**B**  
3 Contemporary Glazing Stop

**Notes:**

Details have been optimized for use in architectural software and do not match manufacturing specifications. Dimensions in parentheses are in millimeters.

Date: 02/06/18  
Scale: 3" (76) = 1' (305)



**A** System 3 Blinds/Shades  
**4** Rectangle units only

**B** Between Glass Blinds  
**4** Rectangle units only

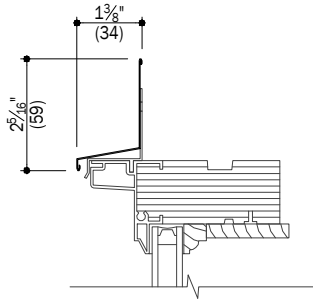
**Notes:**

Details have been optimized for use in architectural software and do not match manufacturing specifications. Dimensions in parentheses are in millimeters.

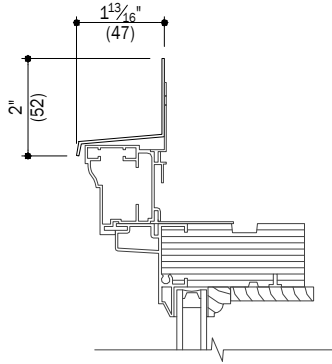
Date: 02/06/18  
Scale: 3" (76) = 1' (305)

# E-Series

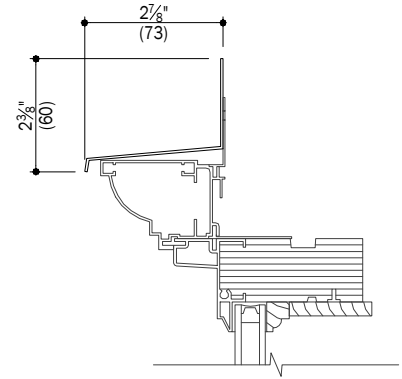
## Specialty Windows



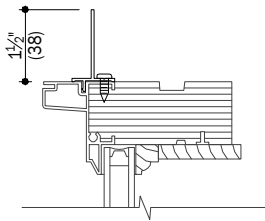
**A** Roll Form Drip Cap  
5 Not available for all shapes\*



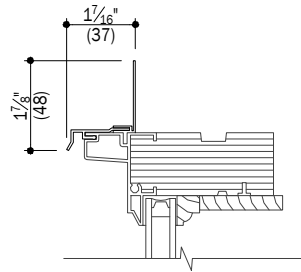
**C** Brick Mould Drip Cap  
5 Not available for all shapes\*



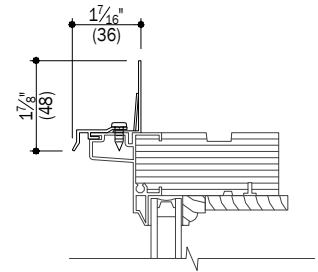
**E** Casing Drip Cap  
5 Not available for all shapes\*



**B** Aluminum Installation Flange  
5 Not available for all shapes\*



**D** Extended Drip Cap  
5 Not available for all shapes\*



**F** Radius Nail Fin & Drip Cap  
5 Not available for all shapes\*

### Notes:

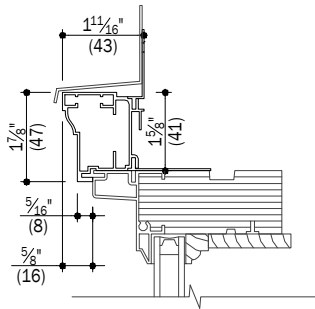
Details have been optimized for use in architectural software and do not match manufacturing specifications. Dimensions in parentheses are in millimeters.

\*For more information contact your Andersen supplier.

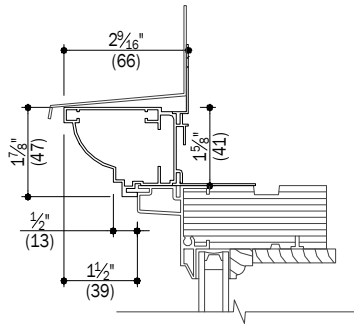
Date: 02/06/18  
Scale: 3" (76) = 1' (305)

# E-Series

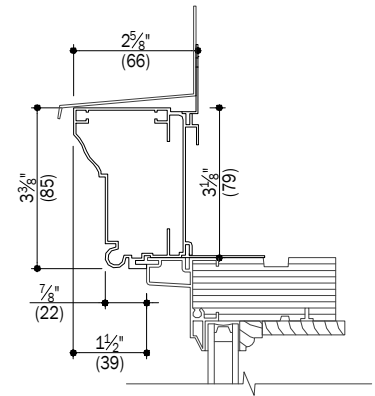
## Specialty Windows



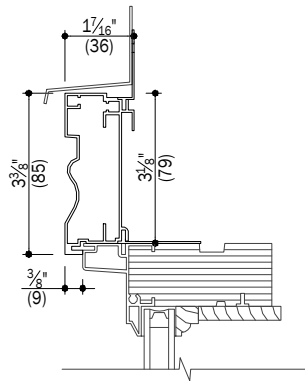
**A** 2" Brick Mould (A753)  
**6** Not available for all shapes\*



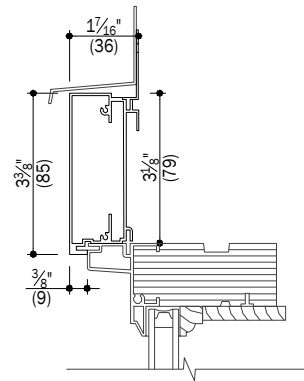
**D** 2" Ovolo Brick Mould (A754)  
**6** Not available for all shapes\*



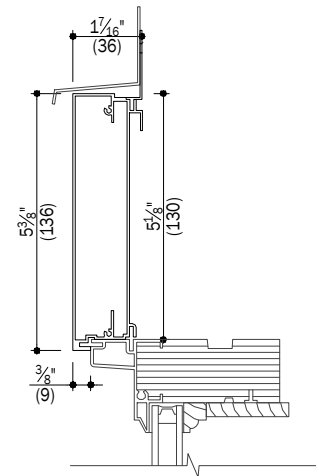
**G** 3 1/2" Brick Mould (A755)  
**6** Not available for all shapes\*



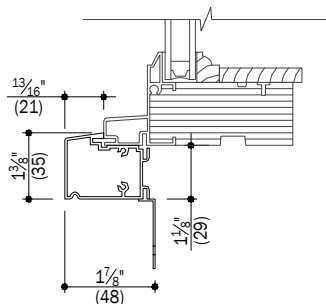
**B** 3 1/2" Backband & Bead Casing (A756)  
**6** Not available for all shapes\*



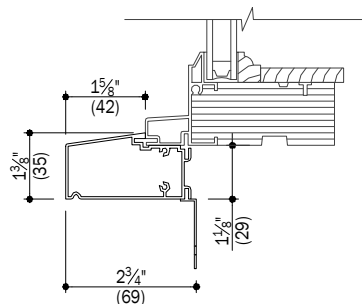
**E** 3 1/2" Flat Casing (A757)  
**6** Not available for all shapes\*



**H** 5 1/2" Flat Casing (A758)  
**6** Not available for all shapes\*



**C** 1 1/2" Sill Nosing (A751)  
**6** Not available for all shapes\*



**F** 1 1/2" Deep Sill Nosing (A752)  
**6** Not available for all shapes\*

### Notes:

Details have been optimized for use in architectural software and do not match manufacturing specifications. Dimensions in parentheses are in millimeters.

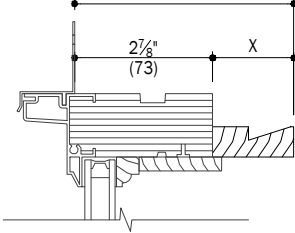
\*For more information contact your Andersen supplier.

Date: 02/06/18  
Scale: 3" (76) = 1' (305)

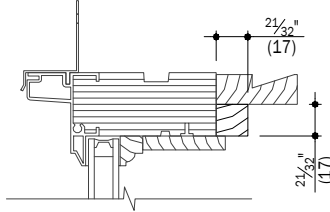
# E-Series

## Specialty Windows

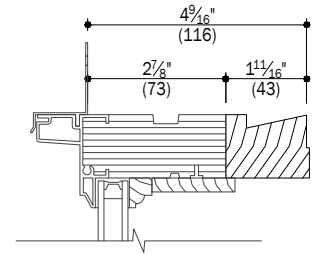
Available from 2 7/8" (73) to 12" (305)  
in 1/16" (1.5) increments



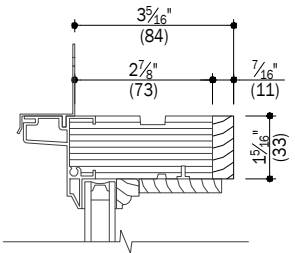
**A** Extension Jamb



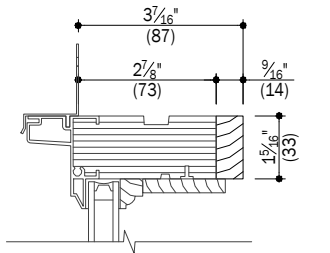
**E** Step Jamb



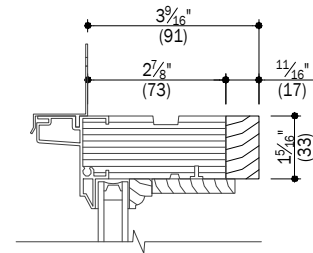
**J** 1 Piece Step Jamb



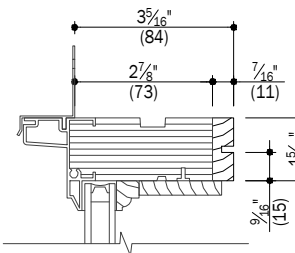
**B** 3/16" Drywall Return



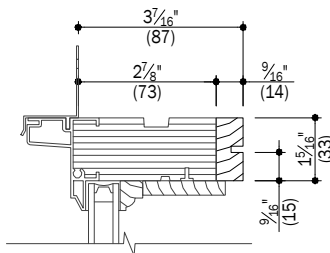
**F** 1/16" Drywall Return



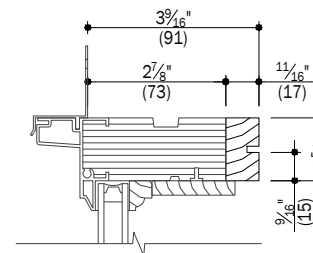
**K** 1 1/16" Drywall Return



**C** 7/16" Drywall Return with Kerf

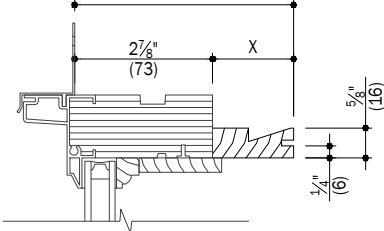


**G** 9/16" Drywall Return with Kerf

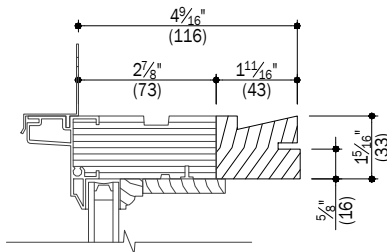


**L** 1 1/16" Drywall Return with Kerf

Available from 2 7/8" (73) to 12" (305)  
in 1/16" (1.5) increments



**D** Extension Jamb with Kerf



**H** 1 Piece Step Jamb with Kerf

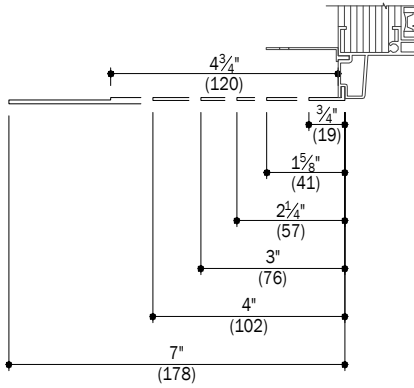
### Notes:

Details have been optimized for use in architectural software and do not match manufacturing specifications. Dimensions in parentheses are in millimeters.

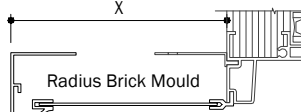
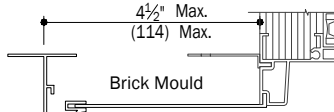
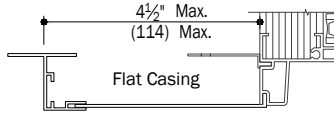
Date: 02/06/18  
Scale: 3" (76) = 1' (305)

# E-Series

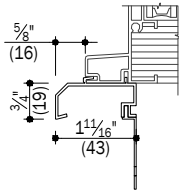
## Specialty Windows



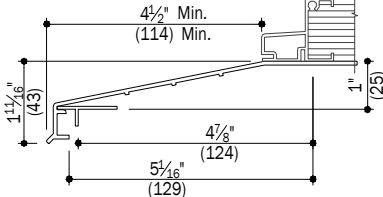
**A**  
8 Frame Expanders  
Sizes: 3/4", 1 5/8", 2 1/4", 3", 4", 7"  
Not available for all shapes\*



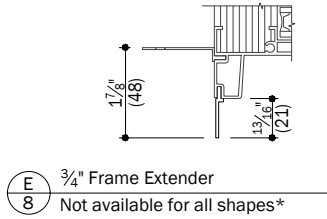
**B**  
8 Expandable Exterior Casings



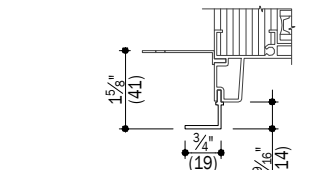
**C**  
8 Expandable Exterior Casing Sill Nosing  
Not available for all shapes\*



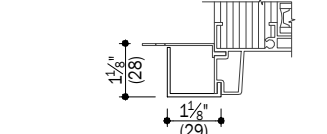
**D**  
8 Extruded Sub-Sill  
Not available for all shapes\*



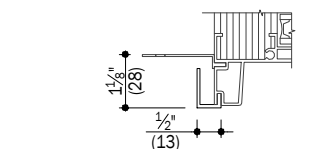
**E**  
8 3/4" Frame Extender  
Not available for all shapes\*



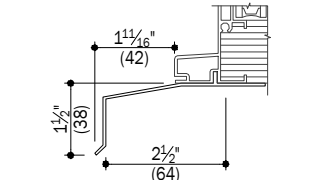
**F**  
8 3/4" Frame Enclosure  
Not available for all shapes\*



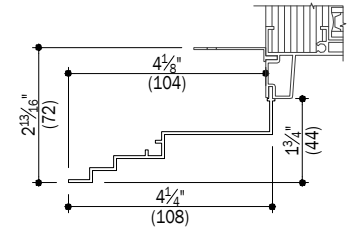
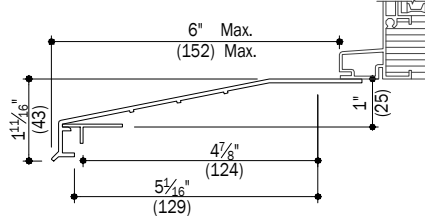
**G**  
8 90° Angle Closure  
Not available for all shapes\*



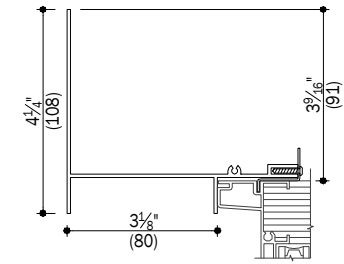
**H**  
8 Expander Return  
Not available for all shapes\*



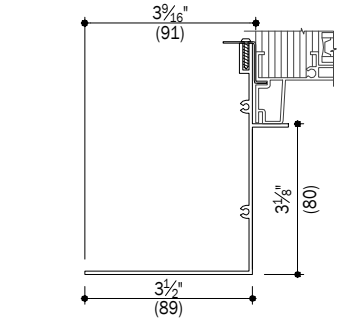
**J**  
8 Alternate Sub-Sill  
Not available for all shapes\*



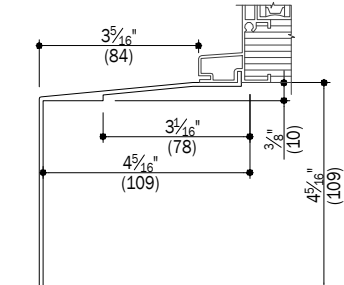
**K**  
8 Historical Panning  
Rectangle units only



**L**  
8 Sub-Frame Shell Head  
Rectangle units only



**M**  
8 Sub-Frame Shell Jamb  
Rectangle units only



**N**  
8 Sub-Frame Shell Sill  
Not available for all shapes\*

### Notes:

Details have been optimized for use in architectural software and do not match manufacturing specifications. Dimensions in parentheses are in millimeters.

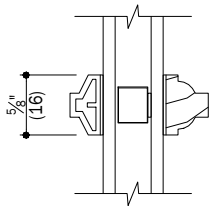
\*For more information contact your Andersen supplier.

Date: 02/06/18  
Scale: 3" (76) = 1' (305)

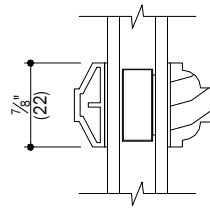


# E-Series

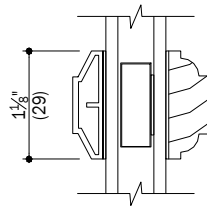
## Specialty Windows



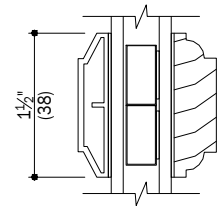
**A**  
9 5/8" Int. Colonial, Ext. Chamfer  
Full Divided Light



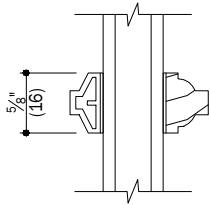
**E**  
9 7/8" Int. Colonial, Ext. Chamfer  
Full Divided Light



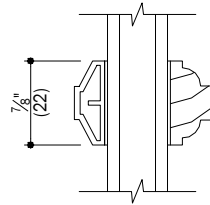
**J**  
9 1 1/8" Int. Colonial, Ext. Chamfer  
Full Divided Light



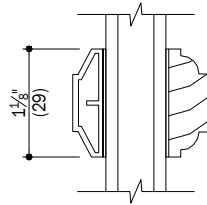
**M**  
9 1 1/2" Int. Colonial, Ext. Chamfer  
Full Divided Light



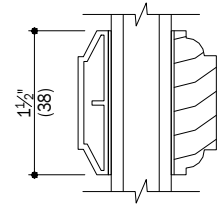
**B**  
9 5/8" Int. Colonial, Ext. Chamfer  
Simulated Divided Light  
Available as exterior grille bar Only



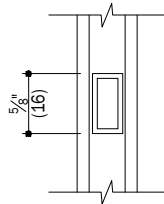
**F**  
9 7/8" Int. Colonial, Ext. Chamfer  
Simulated Divided Light  
Available as exterior grille bar Only  
Also available with removable interior



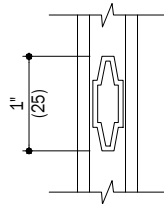
**K**  
9 1 1/8" Int. Colonial, Ext. Chamfer  
Simulated Divided Light  
Available as exterior grille bar Only



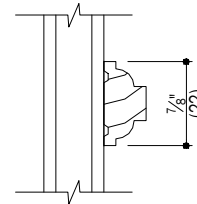
**N**  
9 1 1/2" Int. Colonial, Ext. Chamfer  
Simulated Divided Light  
Available as exterior grille bar Only



**C**  
9 5/8" Finelight (Flat)



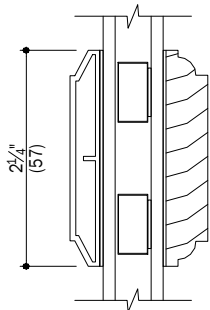
**G**  
9 1" Finelight (Contoured)



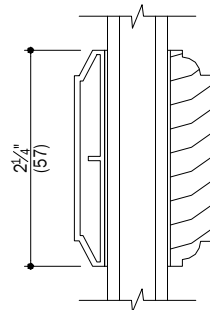
**L**  
9 7/8" Colonial  
Removable Interior Grille  
For Both KD & Full Surround Grilles



**P**  
9 Surround for Full Surround Grilles  
Rectangle units only



**D**  
9 2 1/4" Int. Colonial, Ext. Chamfer  
Full Divided Light  
Simulated check rail



**H**  
9 2 1/4" Int. Colonial, Ext. Chamfer  
Simulated Divided Light  
Simulated check rail

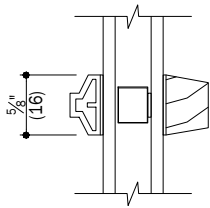
### Notes:

Details have been optimized for use in architectural software and do not match manufacturing specifications. Dimensions in parentheses are in millimeters.

Date: 02/06/18  
Scale: 6" (152) = 1' (305)

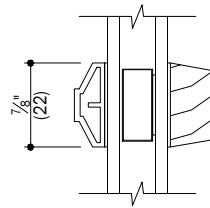
# E-Series

## Specialty Windows



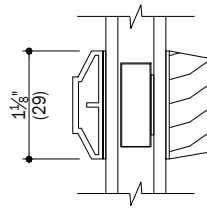
5/8" Int. Contemporary, Ext. Chamfer  
Full Divided Light

A  
10



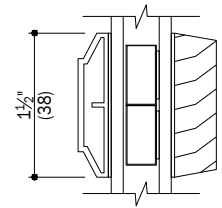
7/8" Int. Contemporary, Ext. Chamfer  
Full Divided Light

D  
10



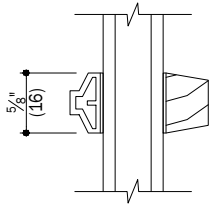
1 1/8" Int. Contemporary, Ext. Chamfer  
Full Divided Light

G  
10



1 1/2" Int. Contemporary, Ext. Chamfer  
Full Divided Light

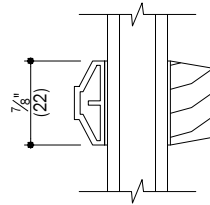
J  
10



5/8" Int. Contemporary, Ext. Chamfer  
Simulated Divided Light

B  
10

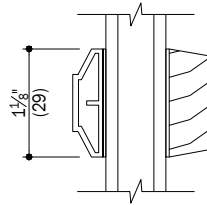
Available as exterior grille bar Only



7/8" Int. Contemporary, Ext. Chamfer  
Simulated Divided Light

E  
10

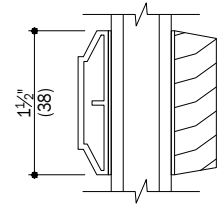
Available as exterior grille bar Only



1 1/8" Int. Contemporary, Ext. Chamfer  
Simulated Divided Light

H  
10

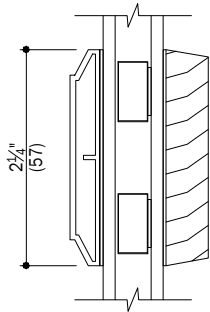
Available as exterior grille bar Only



1 1/2" Int. Contemporary, Ext. Chamfer  
Simulated Divided Light

K  
10

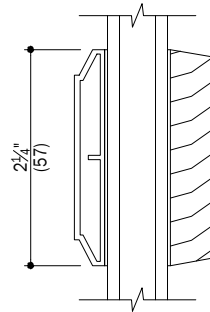
Available as exterior grille bar Only



2 1/4" Int. Contemporary, Ext. Chamfer  
Full Divided Light

C  
10

Simulated check rail



2 1/4" Int. Contemporary, Ext. Chamfer  
Simulated Divided Light

F  
10

Simulated check rail

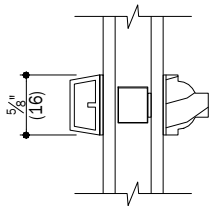
### Notes:

Details have been optimized for use in architectural software and do not match manufacturing specifications. Dimensions in parentheses are in millimeters.

Date: 02/06/18  
Scale: 6" (152) = 1' (305)

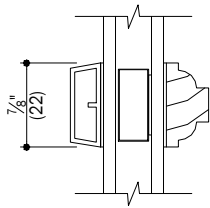
# E-Series

## Specialty Windows



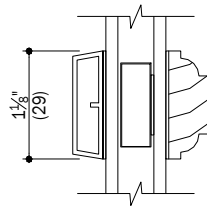
5/8" Int. Colonial, Ext. Contemporary  
Full Divided Light

A  
11



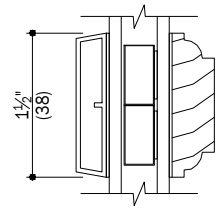
7/8" Int. Colonial, Ext. Contemporary  
Full Divided Light

D  
11



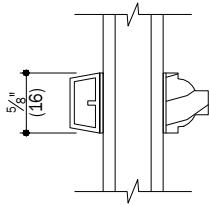
1 1/8" Int. Colonial, Ext. Contemporary  
Full Divided Light

G  
11



1 1/2" Int. Colonial, Ext. Contemporary  
Full Divided Light

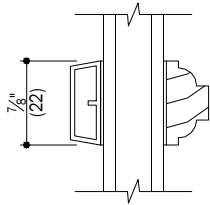
J  
11



5/8" Int. Colonial, Ext. Contemporary  
Simulated Divided Light

B  
11

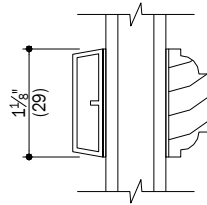
Available as exterior grille bar Only



7/8" Int. Colonial, Ext. Contemporary  
Simulated Divided Light

E  
11

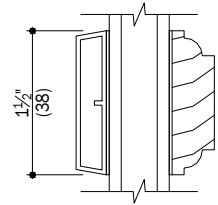
Available as exterior grille bar Only  
Also available with removable interior



1 1/8" Int. Colonial, Ext. Contemporary  
Simulated Divided Light

H  
11

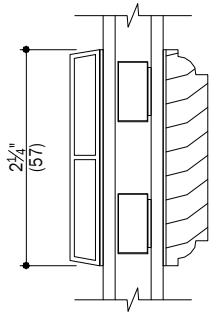
Available as exterior grille bar Only



1 1/2" Int. Colonial, Ext. Contemporary  
Simulated Divided Light

K  
11

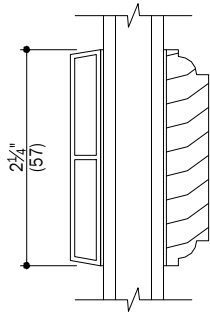
Available as exterior grille bar Only



2 1/4" Int. Colonial, Ext. Contemporary  
Full Divided Light

C  
11

Simulated check rail



2 1/4" Int. Colonial, Ext. Contemporary  
Simulated Divided Light

F  
11

Simulated check rail

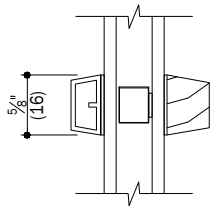
### Notes:

Details have been optimized for use in architectural software and do not match manufacturing specifications. Dimensions in parentheses are in millimeters.

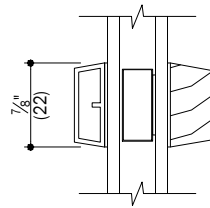
Date: 02/06/18  
Scale: 6" (152) = 1' (305)

# E-Series

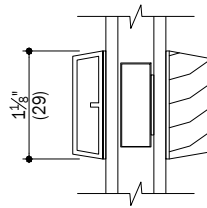
## Specialty Windows



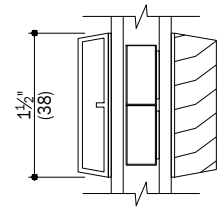
**A**  
12  $\frac{5}{8}$ " Int. & Ext. Contemporary Full Divided Light



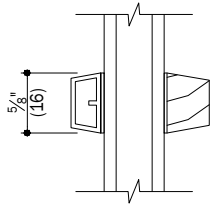
**D**  
12  $\frac{7}{8}$ " Int. & Ext. Contemporary Full Divided Light



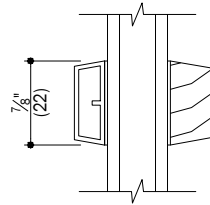
**G**  
12  $1\frac{1}{8}$ " Int. & Ext. Contemporary Full Divided Light



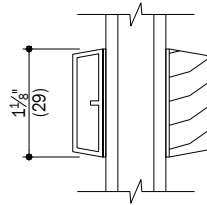
**J**  
12  $1\frac{1}{2}$ " Int. & Ext. Contemporary Full Divided Light



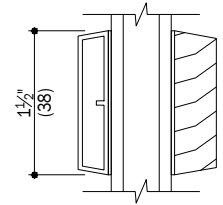
**B**  
12  $\frac{5}{8}$ " Int. & Ext. Contemporary Simulated Divided Light  
Available as exterior grille bar Only



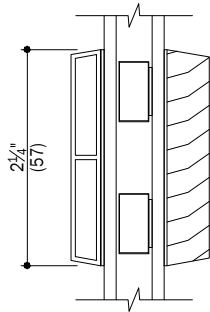
**E**  
12  $\frac{7}{8}$ " Int. & Ext. Contemporary Simulated Divided Light  
Available as exterior grille bar Only



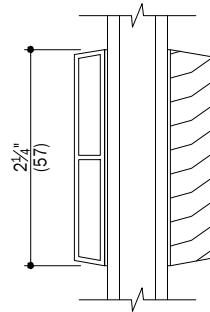
**H**  
12  $1\frac{1}{8}$ " Int. & Ext. Contemporary Simulated Divided Light  
Available as exterior grille bar Only



**K**  
12  $1\frac{1}{2}$ " Int. & Ext. Contemporary Simulated Divided Light  
Available as exterior grille bar Only



**C**  
12  $2\frac{1}{4}$ " Int. & Ext. Contemporary Full Divided Light  
Simulated check rail



**F**  
12  $2\frac{1}{4}$ " Int. & Ext. Contemporary Simulated Divided Light  
Simulated check rail

### Notes:

Details have been optimized for use in architectural software and do not match manufacturing specifications. Dimensions in parentheses are in millimeters.

Date: 02/06/18  
Scale: 6" (152) = 1' (305)