

ANDERSEN CORPORATION

E-SERIES SPECIALTY (AUXILIARY) FIXED WINDOW (HVHZ)(IMPACT)

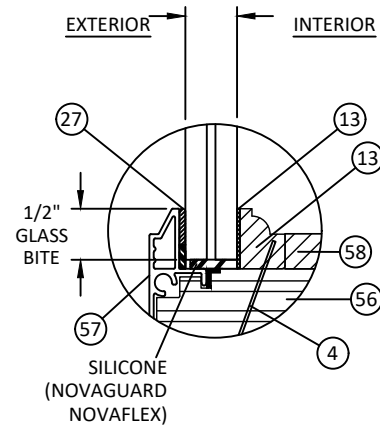


100 FOURTH AVE NORTH
BAYPORT, MN 55003-1096
PH: (651) 264-5150 FX: (651) 264-5485

GENERAL NOTES:

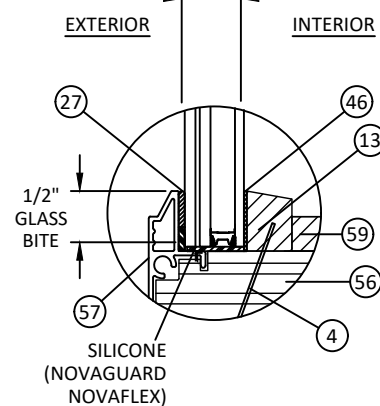
- THE PRODUCT SHOWN HEREIN IS DESIGNED AND MANUFACTURED TO COMPLY WITH THE CURRENT FLORIDA BUILDING CODE (FBC), **INCLUDING** HVHZ AND HAS BEEN EVALUATED ACCORDING TO THE FOLLOWING:
 - TAS 201-94
 - TAS 202-94
 - TAS 203-94
- ADEQUACY OF THE EXISTING STRUCTURAL CONCRETE/MASONRY, 2X AND METAL STUD FRAMING AS A MAIN WIND FORCE RESISTING SYSTEM CAPABLE OF WITHSTANDING AND TRANSFERRING APPLIED PRODUCT LOADS TO THE FOUNDATION IS THE RESPONSIBILITY OF THE ENGINEER OR ARCHITECT OF RECORD FOR THE PROJECT OF INSTALLATION.
- 1X AND 2X BUCKS (WHEN USED) SHALL BE DESIGNED AND ANCHORED TO PROPERLY TRANSFER ALL LOADS TO THE STRUCTURE. BUCK DESIGN AND INSTALLATION IS THE RESPONSIBILITY OF THE ENGINEER OR ARCHITECT OF RECORD FOR THE PROJECT OF INSTALLATION.
- THE INSTALLATION DETAILS DESCRIBED HEREIN ARE GENERIC AND MAY NOT REFLECT ACTUAL CONDITIONS FOR A SPECIFIC SITE. IF SITE CONDITIONS CAUSE INSTALLATION TO DEVIATE FROM THE REQUIREMENTS DETAILED HEREIN, A LICENSED ENGINEER OR ARCHITECT SHALL PREPARE SITE SPECIFIC DOCUMENTS FOR USE WITH THIS DOCUMENT.
- APPROVED IMPACT PROTECTIVE SYSTEM **IS NOT REQUIRED** TO PROTECT THIS PRODUCT IN AREAS REQUIRING IMPACT RESISTANCE.
- WINDOW FRAME MATERIAL: *ALUMINUM CLAD WOOD*.
- GLASS MEETS THE REQUIREMENTS OF ASTM E1300. SEE GLAZING DETAILS ON SHEET 1.
- DESIGNATIONS "X" AND "O" STAND FOR THE FOLLOWING:
X: OPERABLE PANEL
O: FIXED PANEL
- CUSTOM SIZES AVAILABLE UPON REQUEST. CUSTOM DESIGN PRESSURE WILL BE ASSIGNED EQUAL TO NEXT LARGER STANDARD SIZE.

9/16" O.A. MONOLITHIC LAMINATED GLASS :
1/4" ANNEALED GLASS
0.090" SENTRYGLAS INTERLAYER BY KURARAY AMERICA
1/4" ANNEALED GLASS



GLAZING DETAIL 1
SHOWN WITH COLONIAL GLASS STOP

1-1/4" O.A. INSULATED GLASS :
1/4" ANNEALED GLASS
0.090" SENTRYGLAS INTERLAYER BY KURARAY AMERICA
1/4" ANNEALED GLASS
AIR SPACE: STAINLESS STEEL BOX SPACER
3/16" HEAT STRENGTHENED GLASS



GLAZING DETAIL 2
SHOWN WITH CONTEMPORARY GLASS STOP

GLAZING NOTES:

- GLASS CAPACITIES ON THIS SHEET ARE BASED ON ASTM E1300-04 (3 SEC. GUSTS) AND CHAPTER 17 OF THE CURRENT FBC FOR SIZES OTHER THAN TESTED.
- SETTING BLOCK DUROMETER HARDNESS OF 70-90 (SHORE A) AS REFERENCED IN CHAPTER 24.
- SETTING BLOCKS TO BE LOCATED AT 1/4 SPAN LENGTH FOR GLASS WIDER THAN 36" AS PER CHAPTER 24.
- D.L.O. MAY NOT EXCEED MAX DIMENSIONS IN DESIGN PRESSURE TABLES.

TABLE OF CONTENTS		
SHEET	REVISION	SHEET DESCRIPTION
1	B	GENERAL NOTES AND GLAZING DETAILS
2	B	ELEVATIONS AND QUALIFIED CONFIGURATIONS
3	B	ANCHOR LAYOUTS
4	B	VERTICAL SECTIONS
5	B	HORIZONTAL SECTIONS
6	B	ANCHOR DETAILS
7	B	COMPONENTS AND BILL OF MATERIALS

TITLE: E-SERIES SPECIALTY (AUXILIARY) FIXED WINDOW (HVHZ)(IMPACT)
GENERAL NOTES AND GLAZING DETAILS

PREPARED BY:
BUILDING DROPS, INC.
398 E. DANIA BEACH BLVD., STE. 338
DANIA BEACH, FL 33004
PH: (954)395-8478
FAX: (954)744-4738
WEB: www.buildingdrops.com

REMARKS	BY	DATE
FORMAT UPDATE	LL	7.15.19

THE INSTALLATION DETAILS DESCRIBED HEREIN ARE GENERIC AND MAY NOT REFLECT ACTUAL CONDITIONS FOR A SPECIFIC SITE. IF SITE CONDITIONS CAUSE INSTALLATION TO DEVIATE FROM THE REQUIREMENTS DETAILED HEREIN, A LICENSED ENGINEER OR ARCHITECT SHALL PREPARE SITE SPECIFIC DOCUMENTS FOR USE WITH THIS DOCUMENT.

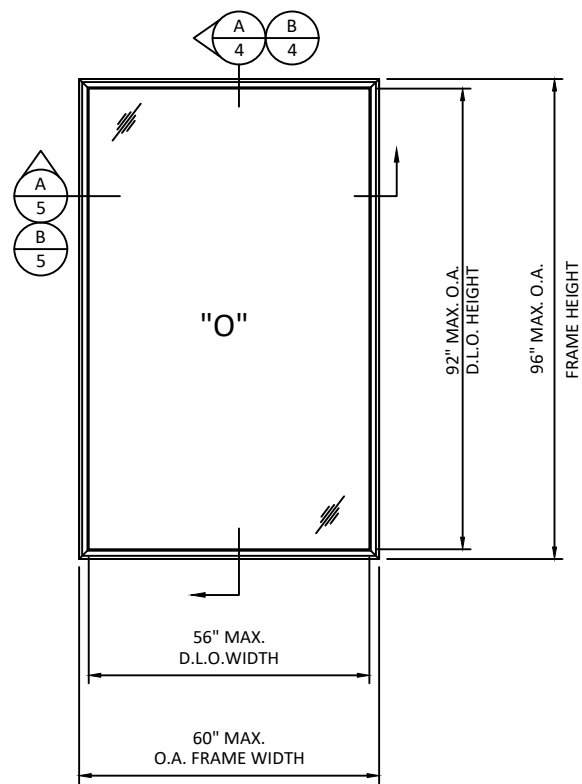


HERMES F. NORERO, P.E.
FLORIDA P.E. No. 73778
BUILDING DROPS, INC
398 E. DANIA BEACH BLVD. # 338
DANIA BEACH, FL 33004
FBPE CERT. OF AUTHORIZATION No. 29578

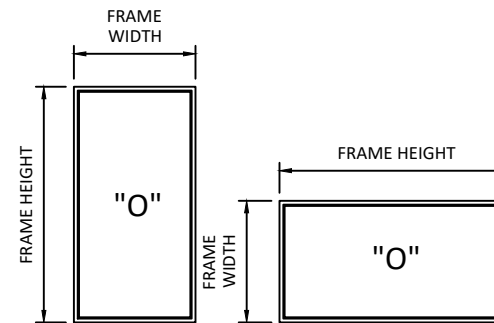
FL #:	FL24230
DATE:	10.12.17
DWG. BY:	AG
CHK. BY:	HFN
SCALE:	NTS
DWG. #:	AWD209
SHEET:	1

OVERALL FRAME SIZE		OVERALL D.L.O. DIMENSION		GLASS TYPE	DESIGN PRESSURE (PSF)	
WIDTH (IN.)	HEIGHT (IN.)	WIDTH (IN.)	HEIGHT (IN.)		POS.	NEG.
60.0	96.0	56.0	92.0	G1, G2	+70.0	-75.0

s:\projects\andersen windows\lbc-19-0548.2 - fbe submittal - e-series mullion revisions\dwgs\024230.1 & .12\awd209 - 11540-auxiliary fixed-impact-(hvhz).dwg



ELEVATION
SINGLE UNIT

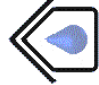


NOTE:
WINDOW WIDTH AND HEIGHT ARE INTERCHANGEABLE FOR ALL SIZES SHOWN HEREIN NOT TO EXCEED MAXIMUM QUALIFIED SQUARE FOOT AREA.



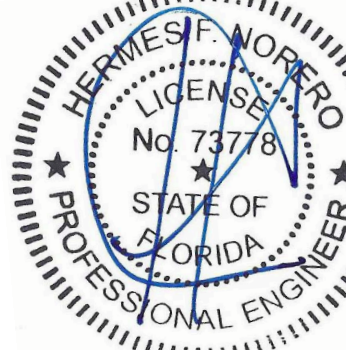
100 FOURTH AVE NORTH
BAYPORT, MN 55003-1096
PH: (651) 264-5150 FX: (651) 264-5485

TITLE: E-SERIES SPECIALTY (AUXILIARY) FIXED WINDOW (HVHZ)/(IMPACT) ELEVATIONS AND QUALIFIED CONFIGURATIONS

PREPARED BY:

BUILDING DROPS, INC.
398 E. DANIA BEACH BLVD., STE. 338
DANIA BEACH, FL 33004
PH: (954) 399-8478
FAX: (954) 744-4738
WEB: www.buildingdrops.com

REMARKS	BY	DATE
FORMAT UPDATE	LL	7.15.19

THE INSTALLATION DETAILS DESCRIBED HEREIN ARE GENERIC AND MAY NOT REFLECT ACTUAL CONDITIONS FOR A SPECIFIC SITE. IF SITE CONDITIONS CAUSE INSTALLATION TO DEVIATE FROM THE REQUIREMENTS DETAILED HEREIN, A LICENSED ENGINEER OR ARCHITECT SHALL PREPARE SITE SPECIFIC DOCUMENTS FOR USE WITH THIS DOCUMENT.

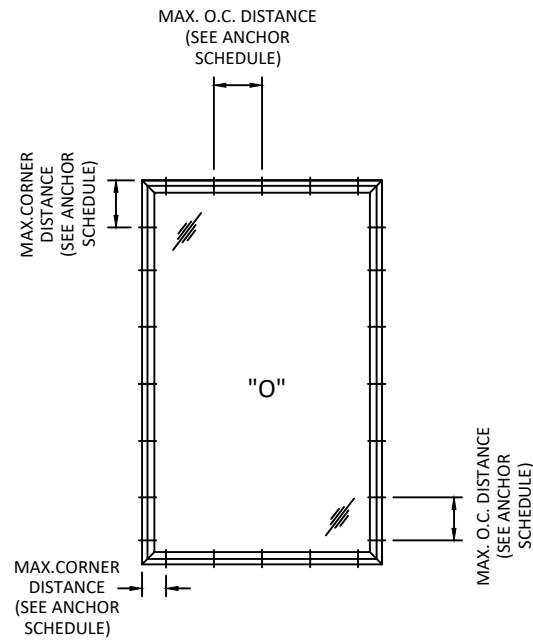


HERMES F. NORERO, P.E.
FLORIDA P.E. No. 73778
BUILDING DROPS, INC
398 E. DANIA BEACH BLVD. # 338
DANIA BEACH, FL 33004
FBPE CERT. OF AUTHORIZATION No. 29578

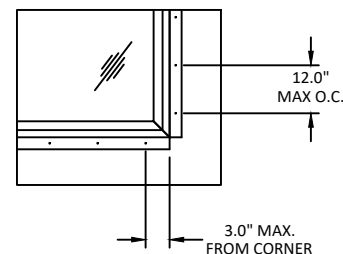
FL #:	FL24230
DATE:	10.12.17
DWG. BY:	AG
CHK. BY:	HFN
SCALE:	NTS
DWG. #:	AWD209

SHEET:
2
OF 7

s:\projects\andersen windows\lbc-19-0548.2 - fbc submittal - e-series mullion revisions\dwg\24230.1 & .12\awd209 - f1540-auxiliary fixed-impact-(hvhz).dwg



FRAME ANCHORING
RETANGULAR/SQUARE SINGLE UNIT



ALUMINUM FIN ANCHORING
SINGLE UNIT


NOTE:
 NAILING FLANGE INSTALLATIONS ARE LIMITED TO INDIVIDUAL UNITS OR ASSEMBLIES EQUAL TO OR LESS THAN DP50 AND EQUAL TO OR LESS THAN 30 SQUARE FEET.

NOTE :
 FOR MORE ANCHOR INFORMATION (INSTALLATION TYPE, SPACING, QUANTITY, ANCHOR TYPE, QUALIFIED SUBSTRATES) SEE SHEET 6



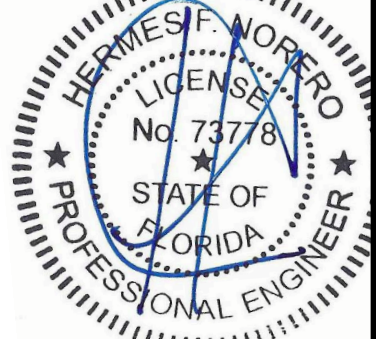
100 FOURTH AVE NORTH
 BAYPORT, MN 55003-1096
 PH: (651) 264-5150 FX: (651) 264-5485

TITLE: E-SERIES SPECIALTY (AUXILIARY) FIXED WINDOW (HVHZ)(IMPACT)
ANCHOR LAYOUTS

PREPARED BY:

BUILDING DROPS, INC.
 398 E. DANIA BEACH BLVD., STE. 338
 DANIA BEACH, FL 33004
 PH: (954)399-8478
 FAX: (954)744-4738
 WEB: www.buildingdrops.com

REMARKS	BY	DATE
FORMAT UPDATE	LL	7.15.19

THE INSTALLATION DETAILS DESCRIBED HEREIN ARE GENERIC AND MAY NOT REFLECT ACTUAL CONDITIONS FOR A SPECIFIC SITE. IF SITE CONDITIONS CAUSE INSTALLATION TO DEVIATE FROM THE REQUIREMENTS DETAILED HEREIN, A LICENSED ENGINEER OR ARCHITECT SHALL PREPARE SITE SPECIFIC DOCUMENTS FOR USE WITH THIS DOCUMENT.



HERMES F. NORERO, P.E.
 FLORIDA P.E. No. 73778
 BUILDING DROPS, INC
 398 E. DANIA BEACH BLVD. # 338
 DANIA BEACH, FL 33004
 FBPE CERT. OF AUTHORIZATION No. 29578

FL #:
FL24230

DATE: **10.12.17**

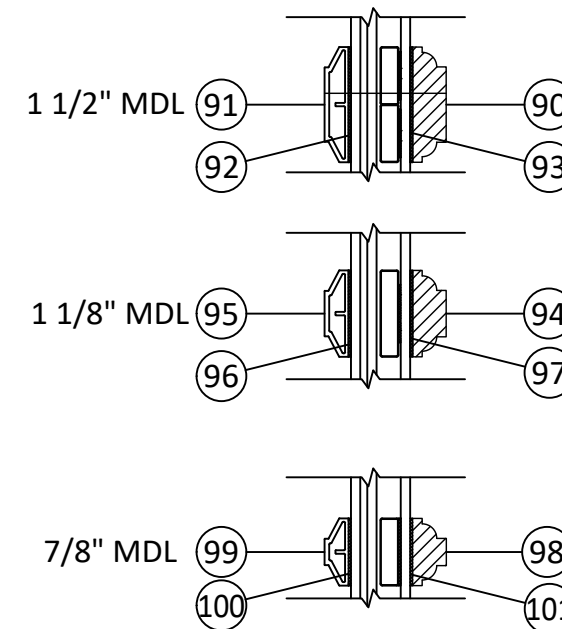
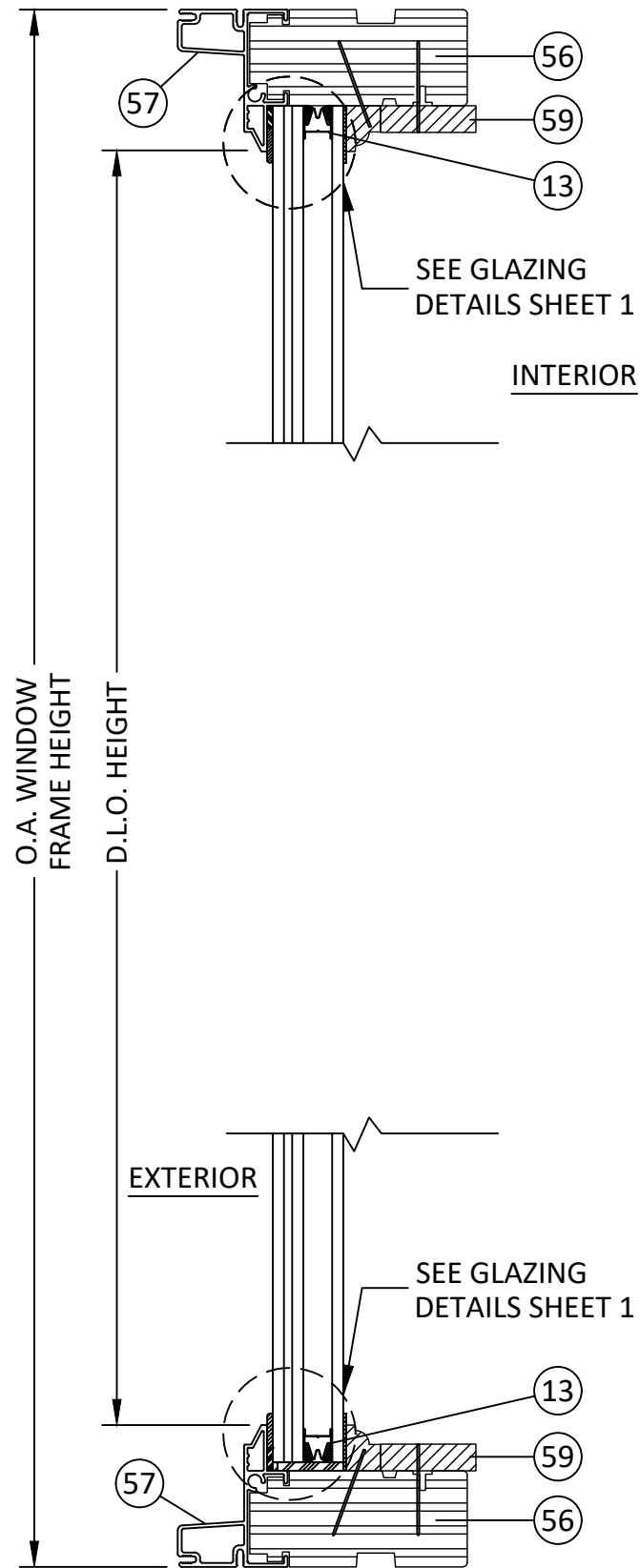
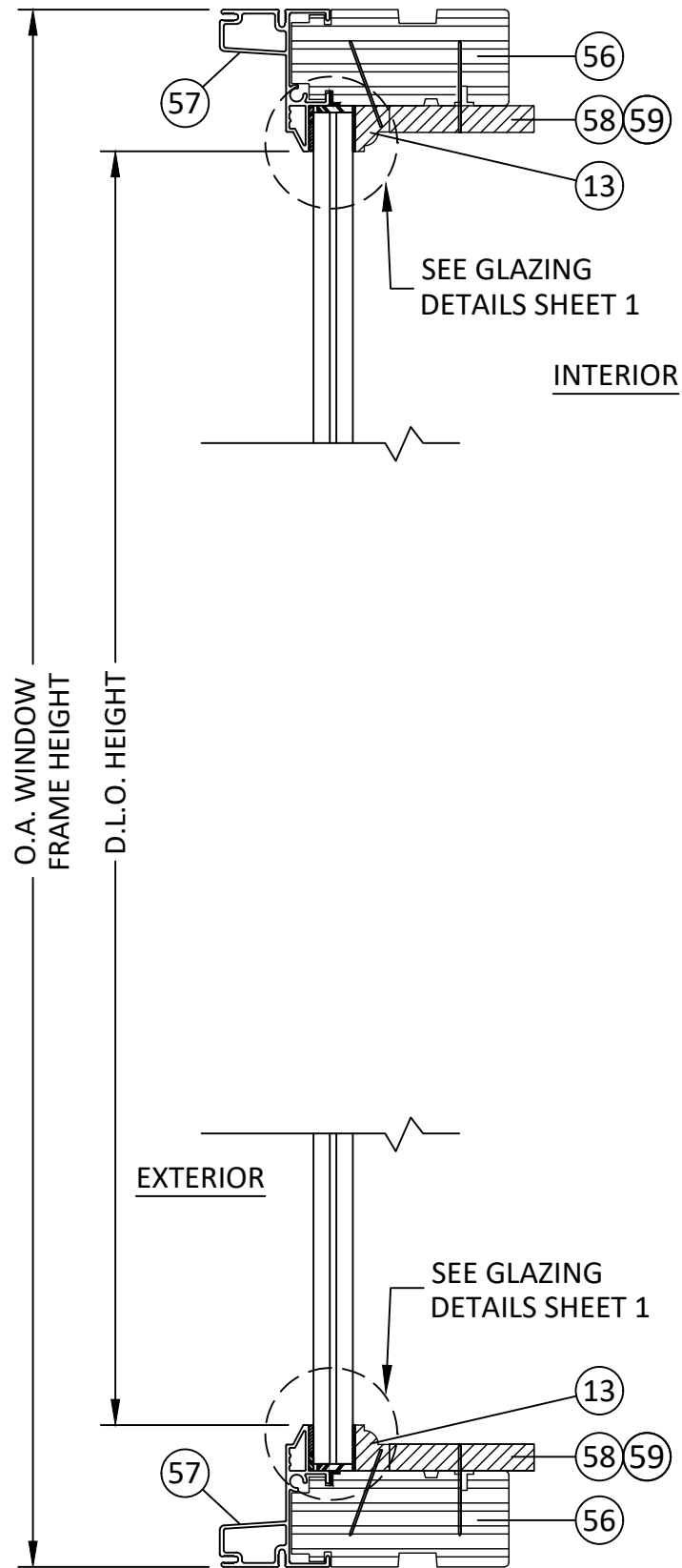
DWG. BY: **AG** CHK. BY: **HFN**

SCALE: **NTS**

DWG. #: **AWD209**

SHEET:
3
 OF 7

s:\projects\anderson windows\lbc-19-0548.2 - fbc submittal - e-series mullion revisions\dwgs\024230.1 & .1.1\awd209 - 11540-auxiliary fixed-impact-(hvhz).dwg
 8/16/2019 8:49 PM



**OPTIONAL MUNTIN BAR
ATTACHEMENT TO GLASS**

A
4 **VERTICAL SECTION**
MONOLITHIC GLASS

B
4 **VERTICAL SECTION**
INSULATED GLASS



100 FOURTH AVE NORTH
BAYPORT, MN 55003-1096
PH: (651) 264-5150 FX: (651) 264-5485

TITLE: E-SERIES SPECIALTY (AUXILIARY) FIXED WINDOW (HVHZ)/(IMPACT)
VERTICAL SECTIONS

PREPARED BY:
BUILDING DROPS, INC.
398 E. DANIA BEACH BLVD., STE. 338
DANIA BEACH, FL 33004
PH: (954) 395-8478
FAX: (954) 744-4738
WEB: www.buildingdrops.com

REMARKS	BY	DATE
FORMAT UPDATE	LL	7.15.19

THE INSTALLATION DETAILS DESCRIBED HEREIN ARE GENERIC AND MAY NOT REFLECT ACTUAL CONDITIONS FOR A SPECIFIC SITE. IF SITE CONDITIONS CAUSE INSTALLATION TO DEVIATE FROM THE REQUIREMENTS DETAILED HEREIN, A LICENSED ENGINEER OR ARCHITECT SHALL PREPARE SITE SPECIFIC DOCUMENTS FOR USE WITH THIS DOCUMENT.



HERMES F. NORERO, P.E.
FLORIDA P.E. No. 73778
BUILDING DROPS, INC
398 E. DANIA BEACH BLVD. # 338
DANIA BEACH, FL 33004
FBPE CERT. OF AUTHORIZATION No. 29578

FL #:
FL24230

DATE: **10.12.17**

DWG. BY: **AG** CHK. BY: **HFN**

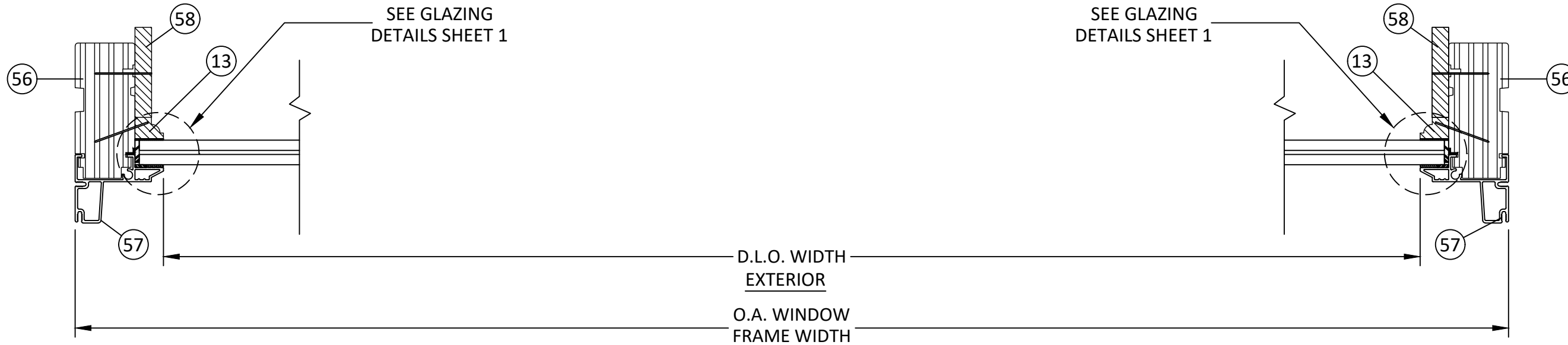
SCALE: **NTS**

DWG. #: **AWD209**

SHEET:
4
OF 7

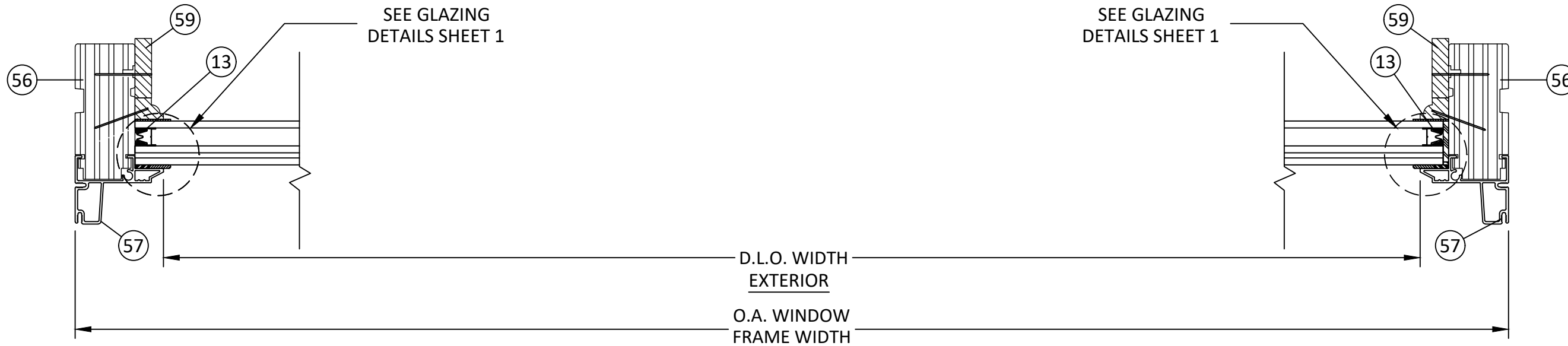
8/16/2019 8:49 PM
 s:\projects\andersen windows\lbc-19-0548.2 - fbc submittal - e-series mullion revisions\dwg\1024230.1 & 1.2\awd209 - 11540-auxiliary fixed-impact-(hvhz).dwg

INTERIOR



A
5 HORIZONTAL SECTION
MONOLITHIC GLASS

INTERIOR



B
5 HORIZONTAL SECTION
INSULATED GLASS



100 FOURTH AVE NORTH
BAYPORT, MN 55003-1096
PH: (651) 264-5150 FX: (651) 264-5485

TITLE: E-SERIES SPECIALTY (AUXILIARY) FIXED WINDOW (HVHZ)/(IMPACT)
HORIZONTAL SECTIONS

PREPARED BY:
BUILDING DROPS, INC.
398 E. DANIA BEACH BLVD., STE. 338
DANIA BEACH, FL 33004
PH: (954) 395-8478
FAX: (954) 744-4738
WEB: www.buildingdrops.com

REMARKS	BY	DATE
FORMAT UPDATE	LL	7.15.19

THE INSTALLATION DETAILS DESCRIBED HEREIN ARE GENERIC AND MAY NOT REFLECT ACTUAL CONDITIONS FOR A SPECIFIC SITE. IF SITE CONDITIONS CAUSE INSTALLATION TO DEVIATE FROM THE REQUIREMENTS DETAILED HEREIN, A LICENSED ENGINEER OR ARCHITECT SHALL PREPARE SITE SPECIFIC DOCUMENTS FOR USE WITH THIS DOCUMENT.



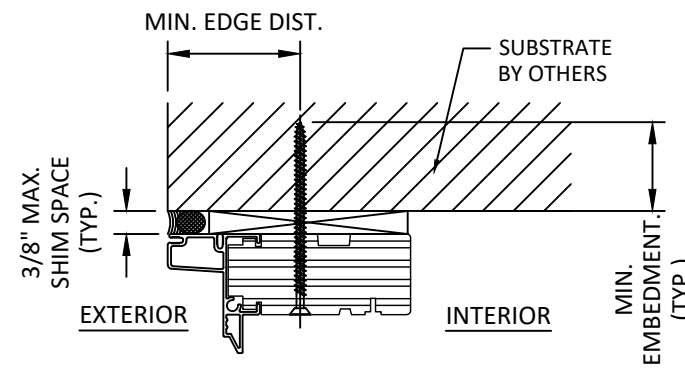
HERMES F. NORERO, P.E.
FLORIDA P.E. No. 73778
BUILDING DROPS, INC
398 E. DANIA BEACH BLVD. # 338
DANIA BEACH, FL 33004
FBPE CERT. OF AUTHORIZATION No. 29578

FL #:	FL24230
DATE:	10.12.17
DWG. BY:	AG
CHK. BY:	HFN
SCALE:	NTS
DWG. #:	AWD209

SHEET:
5
OF 7

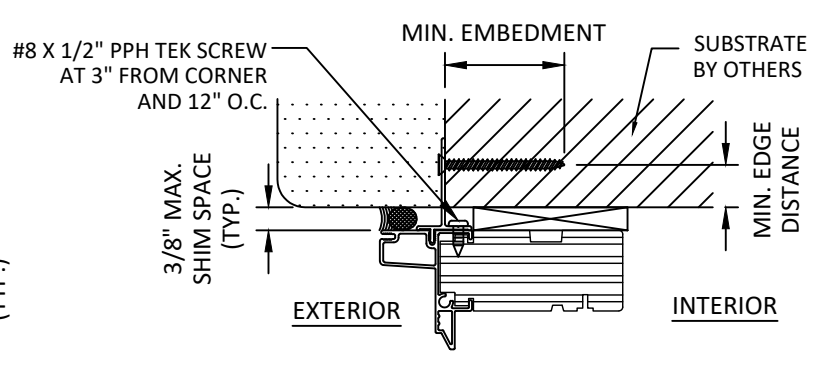


100 FOURTH AVE NORTH
 BAYPORT, MN 55003-1096
 PH: (651) 264-5150 FX: (651) 264-5485



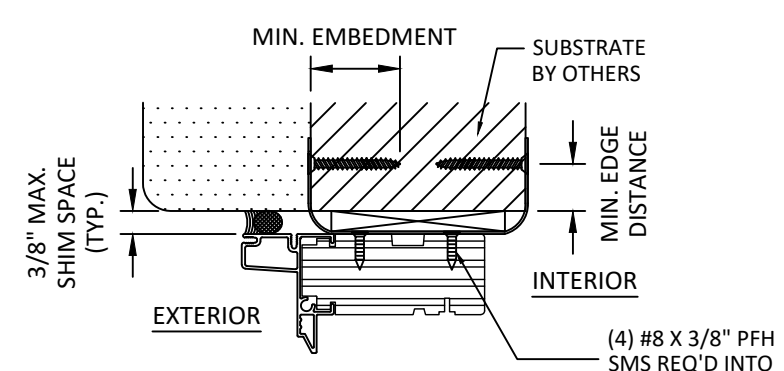
A
6 ANCHOR DETAIL
 THROUGH FRAME

SILL & JAMB HAVE A SIMILAR DETAIL.



B
6 ANCHOR DETAIL
 ALUMINUM NAIL FIN

SILL & JAMB HAVE A SIMILAR DETAIL.



C
6 ANCHOR DETAIL
 STRAP ANCHOR (WITH 2X BUCK)

SILL & JAMB HAVE A SIMILAR DETAIL.

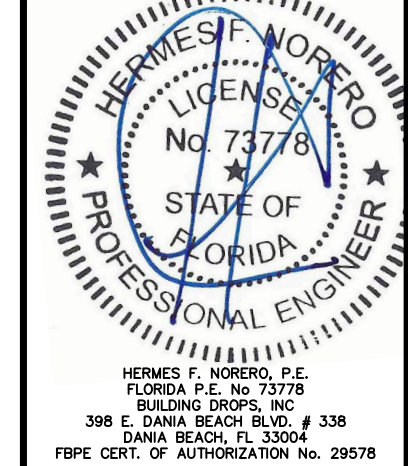
(4) #8 X 3/8" PFH
 SMS REQ'D INTO
 FRAME AT EACH
 STRAP

TITLE: E-SERIES SPECIALTY (AUXILIARY) FIXED
 WINDOW (HVHZ)/(IMPACT)
 ANCHOR DETAILS

PREPARED BY:
BUILDING DROPS, INC.
 398 E. DANIA BEACH BLVD., STE. 338
 DANIA BEACH, FL 33004
 PH: (954) 395-8478
 FAX: (954) 744-4738
 WEB: www.buildingdrops.com

REMARKS	BY	DATE
FORMAT UPDATE	LL	7.15.19

THE INSTALLATION DETAILS DESCRIBED HEREIN ARE GENERIC AND MAY NOT REFLECT ACTUAL CONDITIONS FOR A SPECIFIC SITE. IF SITE CONDITIONS CAUSE INSTALLATION TO DEVIATE FROM THE REQUIREMENTS DETAILED HEREIN, A LICENSED ENGINEER OR ARCHITECT SHALL PREPARE SITE SPECIFIC DOCUMENTS FOR USE WITH THIS DOCUMENT.



HERMES F. NORERO, P.E.
 FLORIDA P.E. No. 73778
 BUILDING DROPS, INC
 398 E. DANIA BEACH BLVD. # 338
 DANIA BEACH, FL 33004
 FBPE CERT. OF AUTHORIZATION No. 29578

FL #: **FL24230**

DATE: **10.12.17**

DWG. BY: **AG** CHK. BY: **HFN**

SCALE: **NTS**

DWG. #: **AWD209**

SHEET:

6

OF 7

INSTALLATION NOTES:

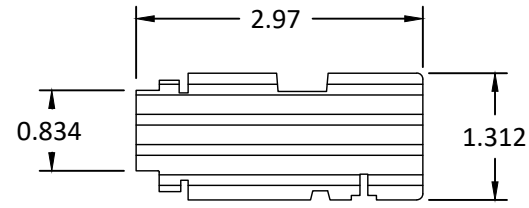
- ONE (1) INSTALLATION ANCHOR IS REQUIRED AT EACH ANCHOR LOCATION SHOWN, UNLESS OTHERWISE STATED.
- THE NUMBER OF INSTALLATION ANCHORS DEPICTED IS THE MINIMUM NUMBER OF ANCHORS TO BE USED FOR PRODUCT INSTALLATION.
- INSTALL INDIVIDUAL INSTALLATION ANCHORS WITHIN A TOLERANCE OF ±1/2 INCH OF THE DEPICTED LOCATION IN THE ANCHOR LAYOUT DETAIL (I.E., WITHOUT CONSIDERATION OF TOLERANCES). TOLERANCES ARE NOT CUMULATIVE FROM ONE INSTALLATION ANCHOR TO THE NEXT.
- SHIM AS REQUIRED AT EACH INSTALLATION ANCHOR WITH LOAD BEARING SHIM(S). MAXIMUM ALLOWABLE SHIM STACK TO BE 3/8 INCH. SHIM WHERE SPACE OF 1/16 INCH OR GREATER OCCURS. SHIM(S) SHALL BE CONSTRUCTED OF HIGH DENSITY PLASTIC OR BETTER.
- MINIMUM EMBEDMENT AND EDGE DISTANCE EXCLUDE WALL FINISHES, INCLUDING BUT NOT LIMITED TO STUCCO, FOAM, BRICK VENEER, AND SIDING.
- INSTALLATION ANCHORS AND ASSOCIATED HARDWARE MUST BE MADE OF CORROSION RESISTANT MATERIAL OR HAVE A CORROSION RESISTANT COATING.
- FOR HOLLOW BLOCK AND GROUT FILLED BLOCK, DO NOT INSTALL INSTALLATION ANCHORS INTO MORTAR JOINTS. EDGE DISTANCE IS MEASURED FROM FREE EDGE OF BLOCK OR EDGE OF MORTAR JOINT INTO FACE SHELL OF BLOCK.
- INSTALLATION ANCHORS SHALL BE INSTALLED IN ACCORDANCE WITH ANCHOR MANUFACTURER'S INSTALLATION INSTRUCTIONS, AND ANCHORS SHALL NOT BE USED IN SUBSTRATES WITH STRENGTHS LESS THAN THE MINIMUM STRENGTH SPECIFIED BY THE ANCHOR MANUFACTURER.

ANCHOR SCHEDULE

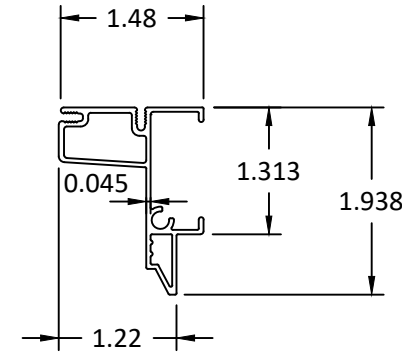
INSTALLATION TYPE	ANCHOR QTY PER LOCATION	SUBSTRATE	ANCHOR TYPE	EMBEDMENT (IN.)	EDGE DISTANCE (IN.)	MAX. HEAD/SILL O.C. DISTANCE (IN.)	MAX. JAMB O.C. DISTANCE (IN.)	MAX. CORNER DISTANCE (IN.)
THRU STRAP	2	WOOD : MIN. SG=0.55	#8 WOOD SCREW	1.5	0.75	16.0	18.0	6.0
	2	METAL : 20 GAUGE STEEL, MIN. F _y =33KSI	#10 TEK SCREW	3 THREADS MIN PENETRATION	0.5			
THRU FRAME	1	WOOD : MIN. SG=0.55	#10 WOOD SCREW	0.75	0.75	16.0	18.0	6.0
	1	METAL : 20 GAUGE STEEL, MIN. F _y =33KSI	#10 TEK SCREW	3 THREADS MIN PENETRATION	0.5			
	1	CONCRETE : f' _c =3000PSI	1/4" ITW TAPCON	1	2.5			
	1	CMU : f' _c =1500PSI, PER ASTM C94	1/4" ITW TAPCON	1	2.5			
THRU ALUMINUM NAIL FIN	1	WOOD : MIN. SG=0.55	#8 WOOD SCREW	0.75	0.75	12.0	12.0	3.0
	1	METAL : 20 GAUGE STEEL, MIN. F _y =33KSI	#10 TEK SCREW	3 THREADS MIN PENETRATION	0.5			

BILL OF MATERIALS

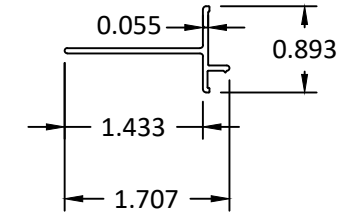
ITEM	DESCRIPTION	MATERIAL
A	3/8" MAX. SHIM SPACE	WOOD
C	1X BUCK (SG>=0.55)	WOOD
D	2X BUCK (SG>=0.55)	WOOD
E	1/4" X 2-3/4" PFH ELCO OR ITW CONCRETE SCREW	STEEL
F	MASONRY - 3,000 PSI MIN CONCRETE CONFORMING TO ACI 301 OR HOLLOW BLOCK CONFORMING TO ASTM C90	CONCRETE
G	1/4" X 3-3/4" PFH WOOD SCREW	STEEL
H	#10 X 3" PFH WOOD SCREW	STEEL
4	18GA X 1-1/4" BRAD TRIM NAIL	STEEL
13	GLASS STOP (PINE)	WOOD
27	POLYETHYLENE FOAM TAPE	-
29	STRAP ANCHOR	STEEL
37	#8 X 5/8" PFH SMS	STEEL
38	#8 X 2" PFH SMS	STEEL
46	GLAZING TAPE .094" x 2.65" BUTYL TAPE	-
56	AUXILIARY FRAME	LVL
57	STD. FRAME CLADDING	6063-T5
58	SECONDARY STOP (PINE)	WOOD
59	SECONDARY STOP (PINE)	WOOD
70	ALUMINUM NAIL FIN	6063-T5
71	#8 X 1-1/2" PFH SMS	STEEL
72	#8 X 1/2" PPH TEK SCREW	STEEL
90	1-1/2" INTERIOR COLONIAL MDL BAR	WOOD
91	1-1/2" EXTERIOR MDL BAR	6063-T5
92	1-1/2" MDL ADHESIVE TAPE (EXTERIOR FACE)	POLYETHYLENE
93	1-1/2" MDL ADHESIVE TAPE (INTERIOR FACE)	POLYETHYLENE
94	1-1/8" INTERIOR COLONIAL MDL BAR	WOOD
95	1-1/8" EXTERIOR MDL BAR	6063-T5
96	1-1/8" MDL ADHESIVE TAPE (EXTERIOR FACE)	POLYETHYLENE
97	1-1/8" MDL ADHESIVE TAPE (INTERIOR FACE)	POLYETHYLENE
98	7/8" INTERIOR COLONIAL MDL BAR	WOOD
99	7/8" EXTERIOR MDL BAR	6063-T5
100	7/8" MDL ADHESIVE TAPE (EXTERIOR FACE)	POLYETHYLENE
101	7/8" MDL ADHESIVE TAPE (INTERIOR FACE)	POLYETHYLENE



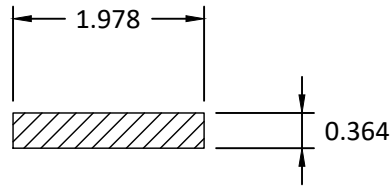
56) AUXILLARY FRAME



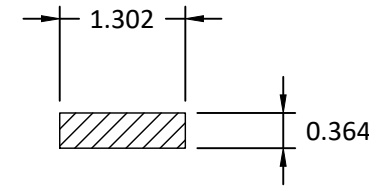
57) STD. FRAME CLADDING



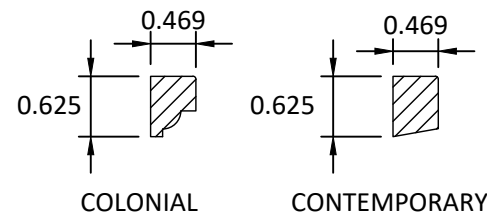
70) NAIL FIN ALUMINUM



58) SECONDARY STOP
1-13/16" NOMINAL GLASS



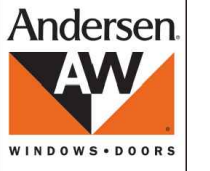
59) SECONDARY STOP
1-1/4" NOMINAL GLASS



13) GLASS STOP



29) STRAP ANCHOR



100 FOURTH AVE NORTH
BAYPORT, MN 55003-1096
PH: (651) 264-5150 FX: (651) 264-5485

TITLE: E-SERIES SPECIALTY (AUXILIARY) FIXED WINDOW (HVHZ)(IMPACT)

COMPONENTS AND BILL OF MATERIALS

PREPARED BY:

BUILDING DROPS, INC.
398 E. DANIA BEACH BLVD., STE. 338
DANIA BEACH, FL 33004
PH: (954) 395-8478
FAX: (954) 744-4738
WEB: www.buildingdrops.com



REMARKS	BY	DATE
FORMAT UPDATE	LL	7.15.19

THE INSTALLATION DETAILS DESCRIBED HEREIN ARE GENERIC AND MAY NOT REFLECT ACTUAL CONDITIONS FOR A SPECIFIC SITE. IF SITE CONDITIONS CAUSE INSTALLATION TO DEVIATE FROM THE REQUIREMENTS DETAILED HEREIN, A LICENSED ENGINEER OR ARCHITECT SHALL PREPARE SITE SPECIFIC DOCUMENTS FOR USE WITH THIS DOCUMENT.



HERMES F. NORERO, P.E.
FLORIDA P.E. No. 73778
BUILDING DROPS, INC
398 E. DANIA BEACH BLVD. # 338
DANIA BEACH, FL 33004
FBPE CERT. OF AUTHORIZATION No. 29578

FL #: **FL24230**

DATE: **10.12.17**

DWG. BY: **AG** CHK. BY: **HFN**

SCALE: **NTS**

DWG. #: **AWD209**

SHEET:
7
OF 7