

Andersen® Art Glass Installation Guide

for Andersen® 200/400 Series Casement, Awning and Specialty Windows, 200 Series Narroline® and 400 Series Transom Windows and 400 Series Frenchwood® Hinged Patio Doors and Sidelights



Congratulations! You have just purchased one of the many fine Andersen® products. For ease of assembly and installation and continued enjoyment of your Andersen product please read and follow this Installation Guide completely. You may direct any questions about Andersen® products to your local Andersen dealer. Andersen dealers can be found in the Yellow Pages under Windows.

Installer: Please leave the Installation Guide with the home owner to file for future reference. Thank you for choosing Andersen.

Importance of Proper Assembly and Installation

Proper assembly, installation, and maintenance of Andersen products are essential if the benefits of experienced product design and engineering, quality materials, and skilled workmanship are to be fully attained. General recommendations regarding assembly and installation are guidelines only. Every assembly and installation is different (windloads, structural support, etc.), and Andersen strongly recommends consultation with an Andersen supplier or an experienced contractor, architect, or structural engineer prior to the assembly and installation of any Andersen product. Assembly and installation of Andersen products is the sole responsibility of the architect, building owner, contractor and/or consumer and Andersen has no responsibility in this regard.

Parts Included

Installation Tools and Supplies Needed:

- Safety Glasses
- Pencil
- Ruler
- Utility Knife
- Phillips Screwdriver
- Flat Head Screwdriver
- Drill/Driver
- 1/16" Drill Bit
(for single panel units)
- 5/64" Drill Bit
(for Multi panel units)

Component Identification

Large Bag Contents

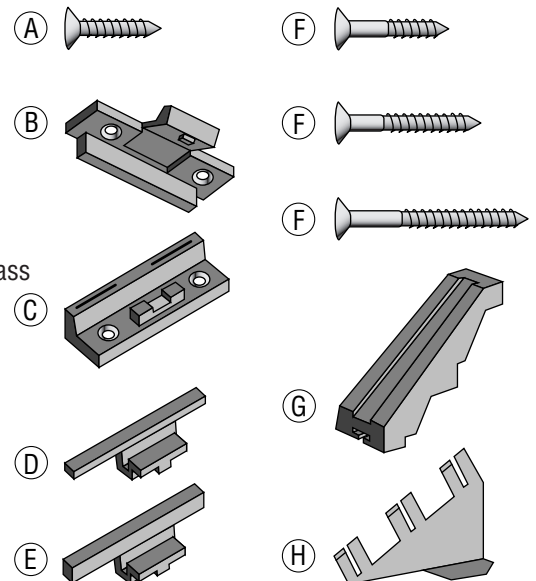
- A. Bracket Screws
- B. Upper Brackets (snap lock)
- C. Lower Brackets
- D. Small Shims
- E. Large Shims
- F. 9/16", 3/4", and 1" Self Tapping Brass Trim Screws
- G. Transition Block (Circle/Oval only)
- H. Transition Piece (Circle/Oval only)

Small Bag Contents

- A. Bracket Screws
- B. Upper Brackets

Screws Shown Actual Size

(1) Trim Kit



⚠ WARNING

Andersen Art Glass panels are not available with safety glass, and if broken, could fragment causing injury.

⚠ WARNING

Many laws and building codes require safety glass in locations adjacent to or near doors, in bathrooms, and in other potentially hazardous locations. Check local building codes in your area for code requirements governing Art Glass installations.

⚠ WARNING

When installing Andersen Art Glass panels on windows or doors where safety glass is required, the underlying product and the Art Glass applied to it must meet code requirements.

⚠ WARNING

Use caution when working at elevated heights and around unit openings. Follow manufacturers' instructions for ladders and/or scaffolding. Failure to do so may result in injury or death.

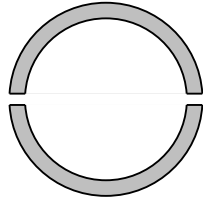
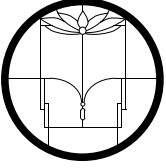
⚠ WARNING

Follow manufacturers' instructions for hand or power tools. Always wear safety glasses. Failure to do so may result in injury and/or product damage.

⚠ WARNING

Windows and doors can be heavy. Use safe lifting techniques and a reasonable number of people with enough strength to lift, carry and install window and door products to avoid injury and/or product damage.

Parts List / Circle and Oval Units



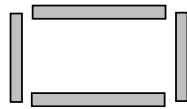
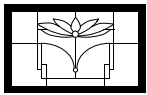
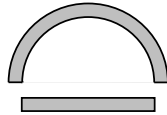
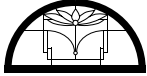
Large Bag Contents

- B. Upper Brackets (snap lock) (2)
- C. Lower Brackets (2)
- D. Small Shims (2)
- E. Large Shims (2)
- F. 3/4" Self Tapping Brass Trim Screws
- A. Bracket Screws

Small Bag Contents

- A. Bracket Screws
- B. Upper Brackets (snap- lock) (2)
- G. Transition Blocks (2)
- H. Transition Pieces (2)

Parts List / Single Operating and Stationary Units



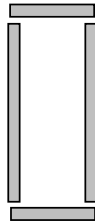
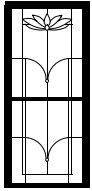
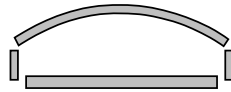
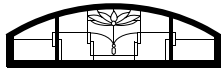
Large Bag Contents

- B. Upper Brackets (snap lock) (2)
- C. Lower Brackets (2)
- D. Small Shims (2)
- E. Large Shims (2)
- F. 9/16" Self Tapping Brass Trim Screws for single panel operating units.
1" for stationary units
- A. Bracket Screws

Small Bag Contents

- A. Bracket Screws
- B. Upper Brackets (snap lock) (2)

Parts List / Multi Panel Units



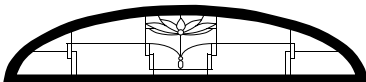
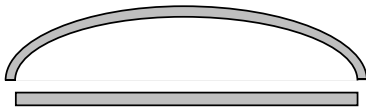
Large Bag Contents

- B. Upper Brackets (snap lock) (2)
- C. Lower Brackets (2)
- D. Small Shims (2)
- E. Large Shims (2)
- F. 1" Self Tapping Brass Trim Screws
- A. Bracket Screws

Small Bag Contents

- A. Bracket Screws
- B. Upper Brackets (snap lock) (2)

Parts List / Elliptical Top Units



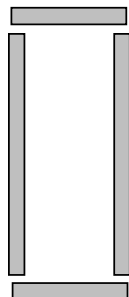
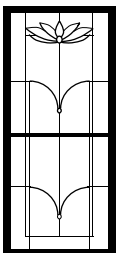
Large Bag Contents

- B. Upper Brackets (snap lock) (2)
- C. Lower Brackets (3)
- D. Small Shims (3)
- E. Large Shims (3)
- F. 3/4" Self Tapping Brass Trim Screws
- A. Bracket Screws

Small Bag Contents

- A. Bracket Screws
- B. Upper Brackets (snap lock) (2)

Parts List / Multi Panel Window and Frenchwood® Door Units



Large Bag Contents

- B. Upper Brackets (snap lock) (2)
- C. Lower Brackets (3)
- D. Small Shims (3)
- E. Large Shims (3)
- F. 9/16" (for Frenchwood Doors only)
and 1" Self Tapping Brass Trim Screws
- A. Bracket Screws

Small Bag Contents

- A. Bracket Screws
- B. Upper Brackets (snap lock) (2)

⚠ WARNING

Do not use Art Glass panels on windows intended for use as emergency exits. Art Glass panels reduce the clear opening size of the window and may hinder escape or rescue in an emergency.

⚠ WARNING

Do not use Art Glass panels on operating units with removable Glazing Panels (RGP). The weight of Art Glass and Removable Glazing Panels together may cause window sash to sag or fall off causing personal injury and product damage. Remove extra glazing panels before installing Art Glass panels.

⚠ WARNING

Do not use Art Glass Panels on Operating Units manufactured before January 1981. Operating units manufactured before January 1981 can not support the weight of the Art Glass panel and will cause the sash to sag and operate incorrectly. For assistance in identifying unit vintage contact you Andersen supplier.

Art Glass Panel Installation

Casement Windows

Proceed to below section and determine if the casement window the Art Glass Panel is being installed on is classified as a large casement window. If window is a large casement window follow the Sash Support Hardware Installation section below.

If window is **not** classified as a large casement window proceed to instructions beginning on **Page 5**.

Awning and Specialty Windows, and Frenchwood® Patio Doors

Proceed to instructions beginning on **Page 5**.

⚠ WARNING

LARGE OPERATING CASEMENT UNITS ONLY

Sash Support Hardware must be installed on large operating Casement units listed below. Open window sash may blow off in high wind conditions causing personal injury. Sash Support Hardware restricts window from opening too far, reducing hazards caused by high winds. Install the Sash Support Hardware adaptor to these units first then proceed with Art Glass panel installation instructions.

C15	CW135	CW15	CX13	CX145	CXW13	CXW145
C155	CW14	CW155	CX135	CX15	CXW135	CXW15
C16	CW145	CW16	CX14	CX155	CXW14	CXW155
			CX16			CXW16

Do not use Sash Support Hardware on windows intended for use as emergency exits. Emergency escape or rescue may be hindered.

Sash Support Hardware Installation

Parts Included

- (2) 3/4" Stud Plate Screws
- (2) Glide Channel Screws
- (1) Glide Channel
- (1) Connecting Stud Plate
- (1) Extension Arm

Installation Tools and Supplies Needed:

- Safety Glasses
- Pencil
- Ruler
- Phillips Screwdriver
- 3/32" Drill Bit
- Drill/Driver

Component Identification



Connecting Stud Plate



Glide Channel Screws



Glide Channel



Extension Arm



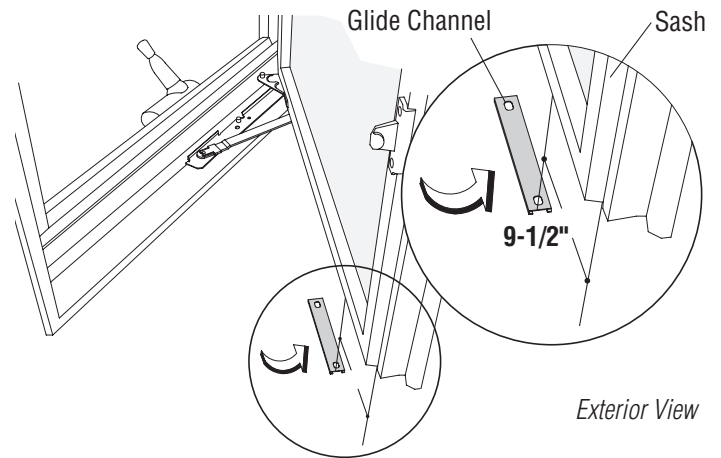
3/4" Stud Plate Screws

1. Install Glide Channel

CAUTION

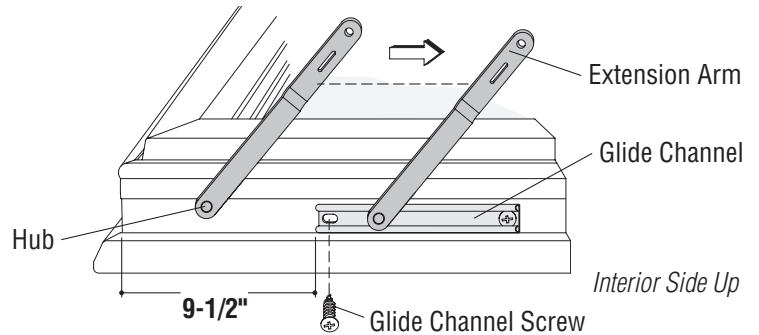
When predrilling into sash, do not drill more than 1/2" deep. Glass damage may occur.

- Open window. Position *Glide Channel* on underside of casement sash, 9-1/2" from open corner, as shown. Mark screw locations.
- Predrill marked locations using a 3/32" drill bit to 1/2" depth. Fasten right side *Glide Channel Screw*, only, at this time.



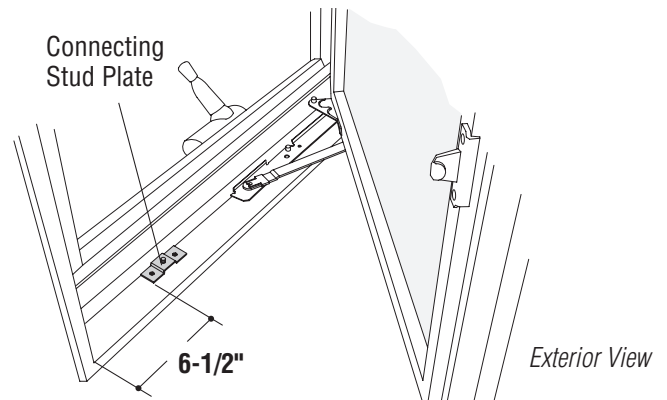
2. Install Extension Arm

- Slide hub on *Extension Arm* into *Glide Channel* and fasten second *Glide Channel Screw*.



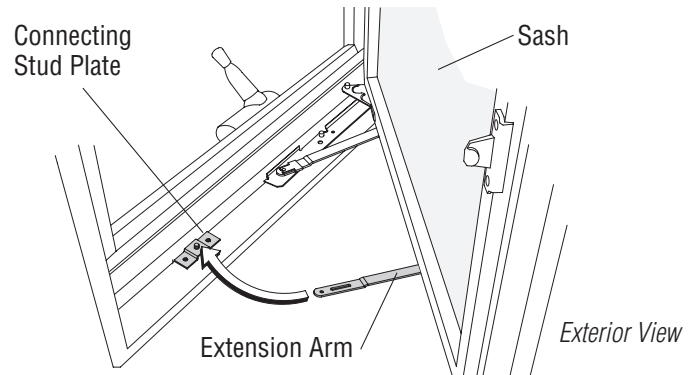
3. Install Connecting Stud Plate

- Install *Connecting Stud Plate* on sill, 6-1/2" from inside corner of frame, opposite hinge, using 3/4" *Stud Plate Screws*.



4. Connect Extension Arm

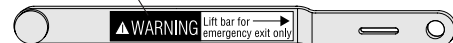
- Close window until *Extension Arm* reaches *Connecting Stud Plate*. Place hole on end of the *Extension Arm* over stud on the *Connecting Stud Plate*.
- Check unit operation by closing and opening sash.



Disengaging Sash Support Hardware

- To **disengage** *Sash Support Hardware*, lift *Extension Arm* off the *Connecting Stud Plate*. To **reconnect**, place hole on end of the *Extension Arm* over stud.

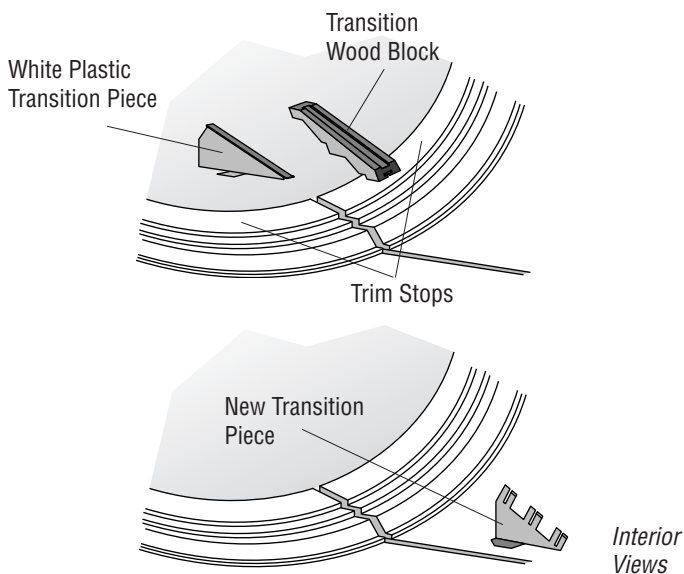
▲ WARNING Lift bar for emergency exit only



1. Prepare For Installation

- Remove plastic bag and wood trim parts by cutting plastic stretch wrap material. The *Art Glass* panels are sandwiched between two pieces of honeycomb packaging material. Do not remove *Art Glass* panels at this time.

2. Remove Transition Brackets (Circle and Oval Units Only)

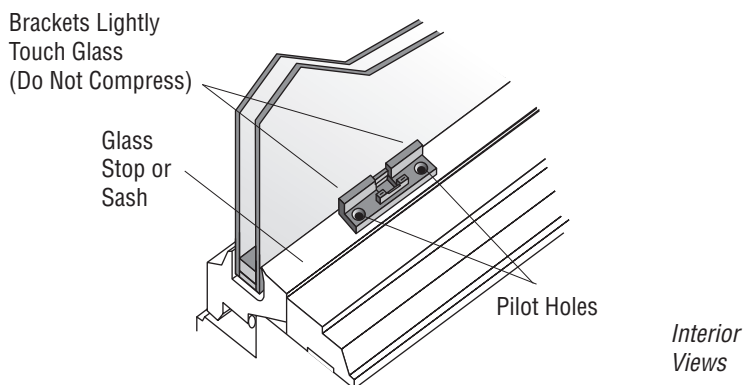


NOTICE

If using optional Key Block, refer to instruction packaged with Key Block Kit.

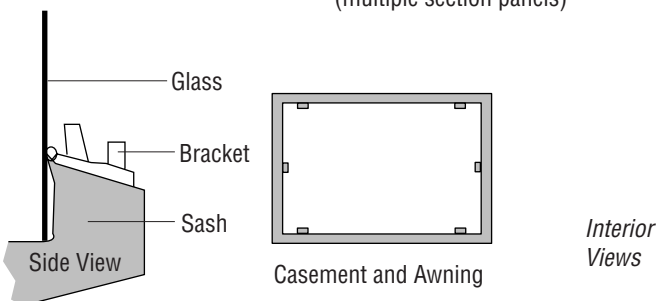
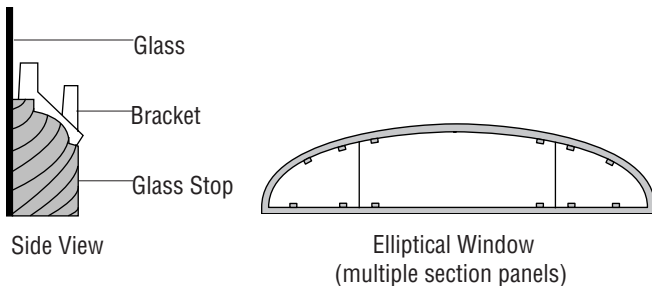
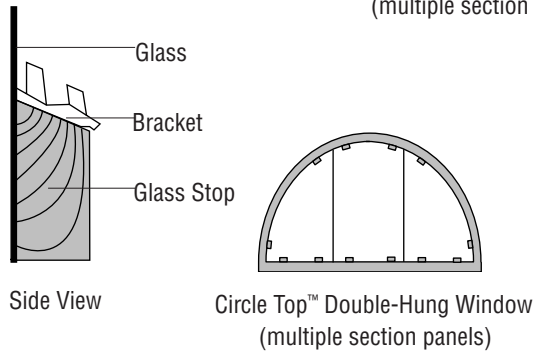
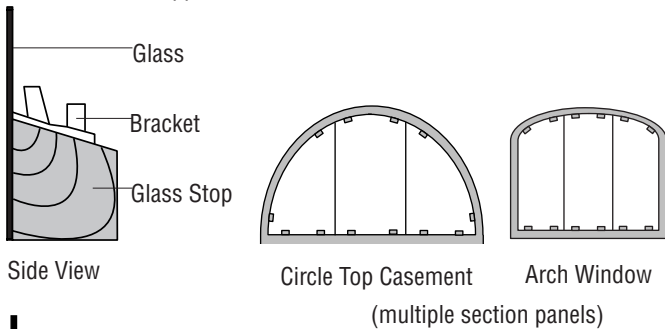
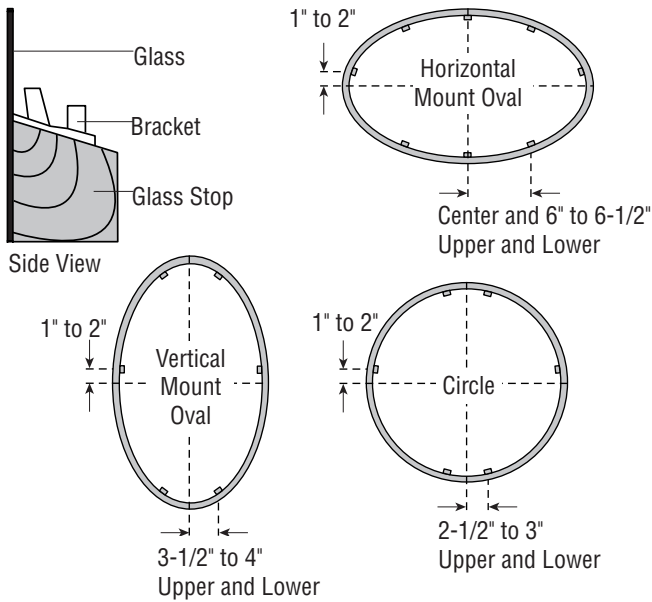
- Remove *Transition Wood Block*.
- Loosen *Trim Stops* on the circle or oval window unit near the placement of the existing white plastic *Transition Piece*.
- Remove the existing *Transition Piece* and replace with the new piece provided with the *Art Glass Trim Kit*.
- Reinstall the window unit *Trim Stops* with the new *Transition Piece* in place.

3. Locate Panel Brackets



- Refer to diagrams of unit being installed on this and the following pages that matches your application.
- When positioning, allow *Brackets* to lightly touch window glass.

3. Locate Panel Brackets



NOTICE

Elliptical Units Only

Elliptical upper and lower brackets do not have bumpers. Elliptical brackets will conform to the shape of wood glass stop.

Lower Bracket (Circle and Oval Units)

- Position *Lower Brackets* on window unit glass stop and mark screw hole locations.

Circle: 2-1/2" to 3" on each side of the window bottom center.

Vertical Oval: 3-1/2" to 4" on each side of the window bottom center.

Horizontal Oval: One on bottom center and one 6" to 6-1/2" each side of *Lower Bracket*.

- Allow *Bracket* to lightly touch window glass.
- Hold down *Bracket* and mark screw holes for predrilling.

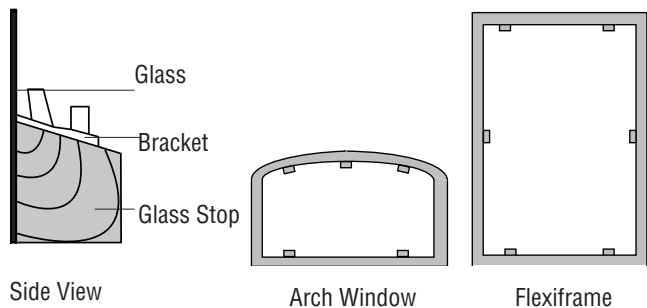
Lower Brackets (Side by side panel sections)

- Measure the width of left Art Glass Panel.
- Measuring from the left -hand side of window unit, mark width of left Art Glass Panel on lower glass stops.
- Follow same procedure for right side Art Glass panel.
- Position *Lower Brackets* on glass stop approximately 3-1/2" on both sides of the marks made in step 2. Allow *Bracket* to lightly touch window glass.
- Position one *Lower Bracket* approximately 3-1/2" from each inside corner of unit on glass stop. Allow *Bracket* to lightly touch window glass and repeat until six *Bracket* locations are marked.
- Hold *Brackets* in place and mark screw hole locations for predrilling.

Lower Bracket (All Units)

- Position *Lower Brackets* approximately 3-1/2" from the inside edges of glass stop (stationary units) or sash (operating units). Allow *Bracket* to lightly touch window glass.
- Hold *Bracket* in place and mark both screw hole locations for predrilling.
- If your panel is wider than 44", place an additional *Bracket* 3-1/2" either side of center. If additional *Bracket* is centered on window unit, *Bracket* may obstruct trim screw location.

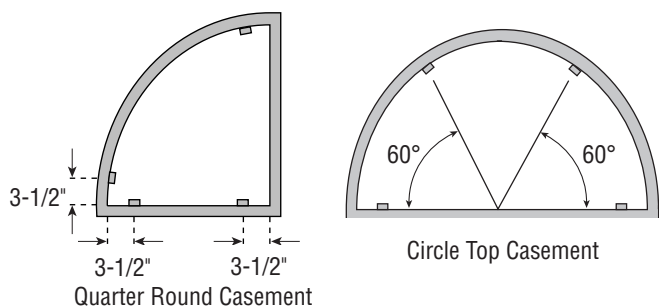
3. Locate Panel Brackets (cont.)



Side View

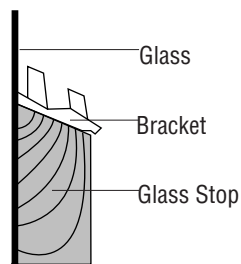
Arch Window

Flexiframe

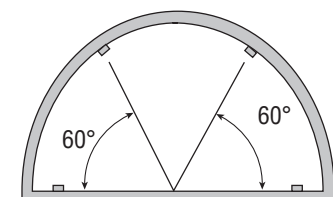


Quarter Round Casement

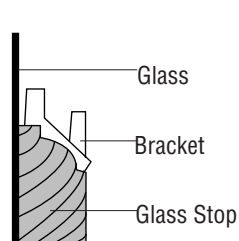
Circle Top Casement



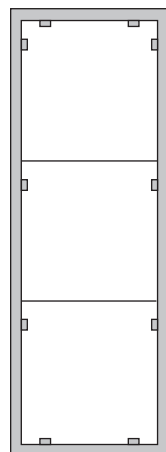
Side View



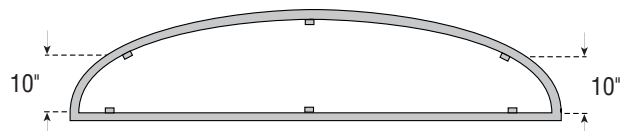
Circle Top™ Double-Hung Windows



Side View



Frenchwood Patio Doors,
Transoms,
Sidelights



Elliptical

Interior
Views

NOTICE

Elliptical Top Units Only

Elliptical upper and lower brackets do not have bumpers. Elliptical brackets will conform to the shape of wood glass stop.

Upper Brackets (Circle or Oval Units)

- Position *Upper Brackets* on window unit glass stop and mark screw hole locations.

Circle: 2-1/2" to 3" on each side of the window top center.

Vertical Oval: 3-1/2" to 4" on each side of the window top center.

Horizontal Oval: One on top center and one 6" to 6-1/2" each side of Top Bracket.

- Allow *Bracket* to lightly touch window glass.
- Hold down *Bracket* and mark screw holes for predrilling.

Upper Brackets (Elliptical Units)

- Position *Brackets* on glass stop approximately 10" from inside edges of unit. Allow *Brackets* to lightly touch window glass. Position a third *Bracket* on glass stop approximately 3-1/2" either side of top center.

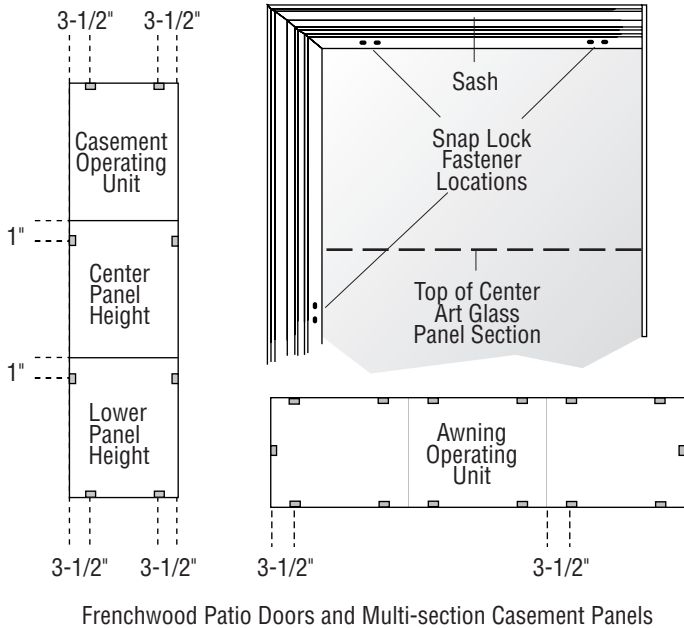
Upper Brackets (Side by side units)

- Measure the width of left Art Glass Panel.
- Measuring from the left-hand side of window unit, mark width of left Art Glass Panel on upper glass stops.
- Follow same procedure for right Art Glass panel.
- Position *Upper Brackets* on glass stop approximately 3-1/2" on both sides of the marks made in Step 2. Allow *Bracket* to lightly touch window glass.
- Position one *Upper Bracket* approximately 3-1/2" from each inside corner of unit on glass stop. Allow *Bracket* to lightly touch window glass and repeat until six *Bracket* locations are marked.
- Hold *Brackets* in place and mark screw hole locations for predrilling.

Upper Brackets (All Other Units)

- Position *Upper Snap Lock Brackets* on glass stop (stationary units) or sash (operating units) approximately 3-1/2" from inside edges of unit. Allow *Bracket* to lightly touch window glass.
- If your panel is wider than 44", place an additional bracket 3-1/2" either side of center. If additional *Bracket* is centered on window unit, *Bracket* may obstruct trim screw location.

3. Locate Panel Brackets (cont.)



Interior Views

Side Brackets (Circle and Oval)

- Position and mark *Center Fasteners* 1" to 2" above the horizontal center line of the window unit.

Side Brackets (Stacked Multi-section Panels)

- Measure height of lower *Art Glass Panel Section*.
- Measure up from the bottom of the window unit (sill stop) the height of the *Lower Panel Section*. Mark both right and left side of the window unit.
- Follow same marking procedures for the center *Art Glass Panel Section*, measuring from previous marks made using the *Lower Panel Section*.
- Locate side *Snap Lock Brackets* approximately 1" below *Panel* height markings. Allow *Brackets* to lightly touch window glass and mark screw hole locations. Eight *Bracket* locations should now be marked.

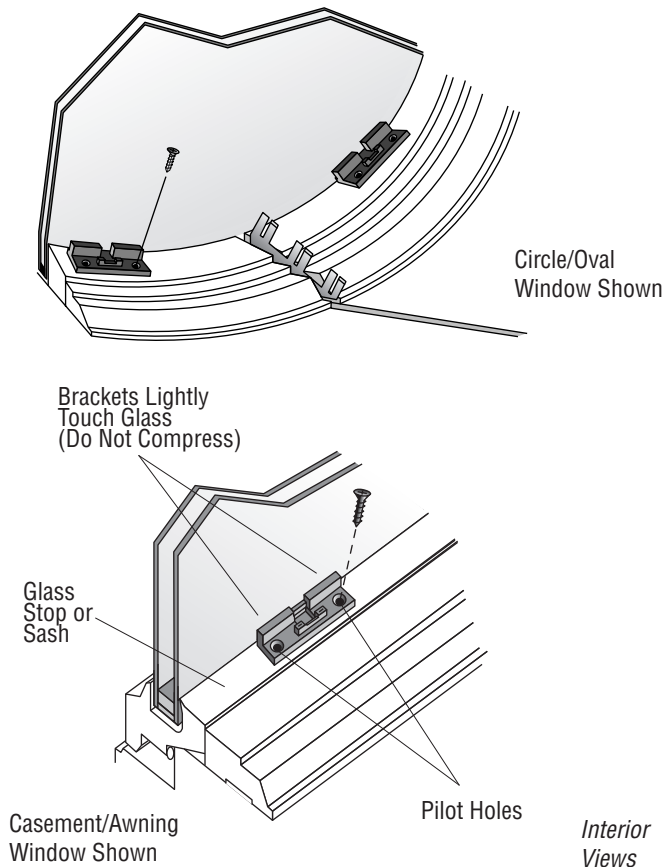
Side Brackets (All Other Window Units)

- Center *Side Bracket* on inside edge of glass stop (stationary units) or sash (operating units). Allow *Bracket* to lightly touch window glass.
- Hold bracket in place and mark both screw hole locations for predrilling.

4. Attach Panel Brackets

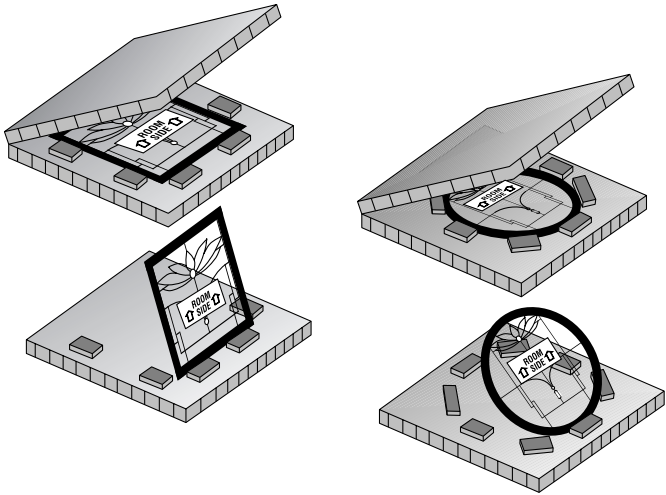
CAUTION

Do not pilot drill beyond a 1/2" depth. A deeper hole could damage glass in glazing area.



- After all hole locations have been marked, drill pilot holes with 1/16" drill bit (1/2" maximum depth). Hold the drill perpendicular to drilling surface.
- Place *Brackets* over predrilled holes on glass stop (stationary units) or sash (operating units). Using short gray screws, secure all *Brackets* to glass stop (stationary units) or sash (operating units). For ease of installation, tape *Bracket* in position before inserting short gray screws.

5. Remove Art Glass Panel From the Packaging



⚠ WARNING

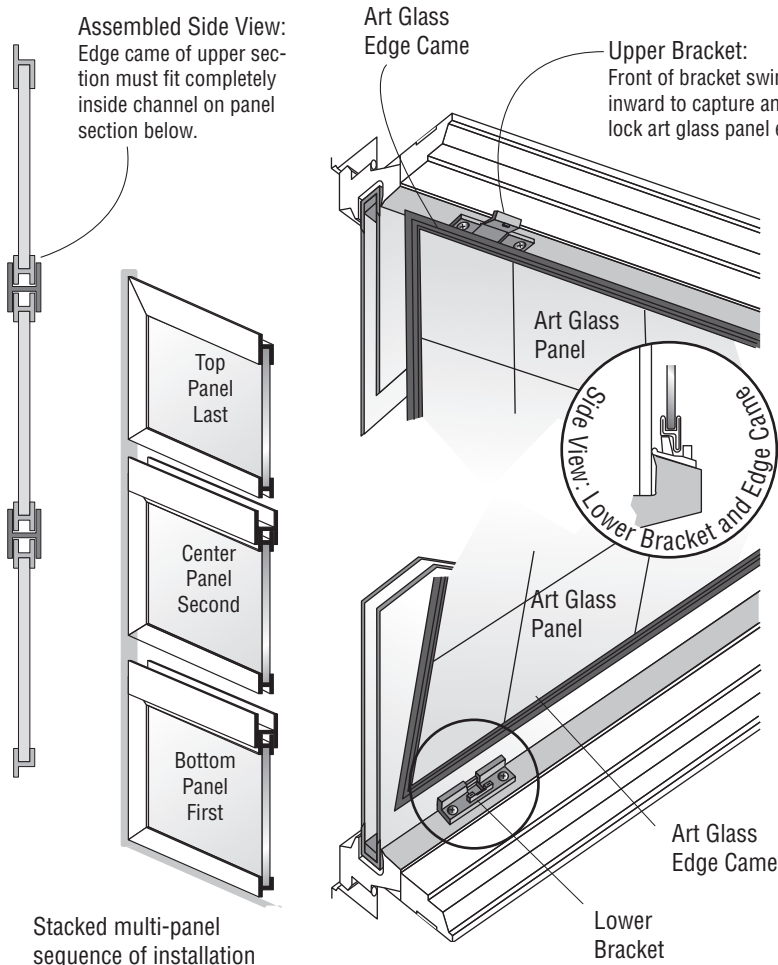
Handle Art Glass panel with extreme care. Carry panel in an upright position. Do not twist or bend panel. Failure to do so could cause personal injury or glass breakage.

NOTICE

The label on the glass that reads “ROOM SIDE” refers to the side of the panel that should face toward the room.

- Remove foam blocks and carefully cut the tape between the honeycombed cardboard and lift top piece off.
- Grasp top edge of the *Art Glass Panel* and tilt panel into upright position. While carrying *Art Glass Panel*, keep *Panel* in upright position. If installation process is interrupted, return *Panel* to original packaging.

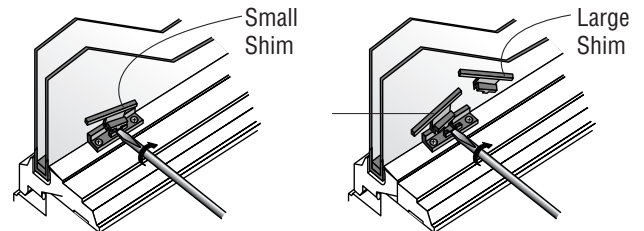
6. Install the Art Glass Panel



- Insert *Art Glass Panel Edge Came* into slots of *Lower Brackets*. Tilt *Panel* into vertical position, until *Panel* edge Came rests against back edge of *Upper Brackets*.
 - If *Panel* fits, continue with instructions. Skip (A) and (B).
 - If *Panel* fits too tightly, go to instruction (A).
 - If *Panel* fits too loosely go to instruction (B).

⚠ WARNING

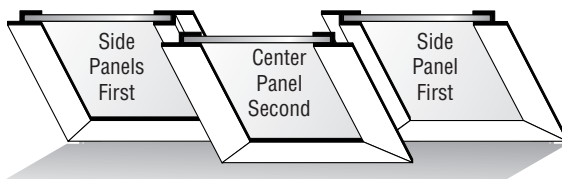
Panel can fall out if fasteners are not secured. Snap and secure upper brackets. Snap lock must click twice to fully engage. Failure to do so could result in personal injury or glass breakage.



A. Carefully remove Art Glass panel and return to original packaging. Remove shim from lower brackets by twisting screwdriver in slot in front of brackets. Repeat step 7.

B. Carefully remove Art Glass panel and return to original packaging. Remove shim from lower brackets by twisting screwdriver in slot in front of brackets. Replace with large shim. Repeat step 7.

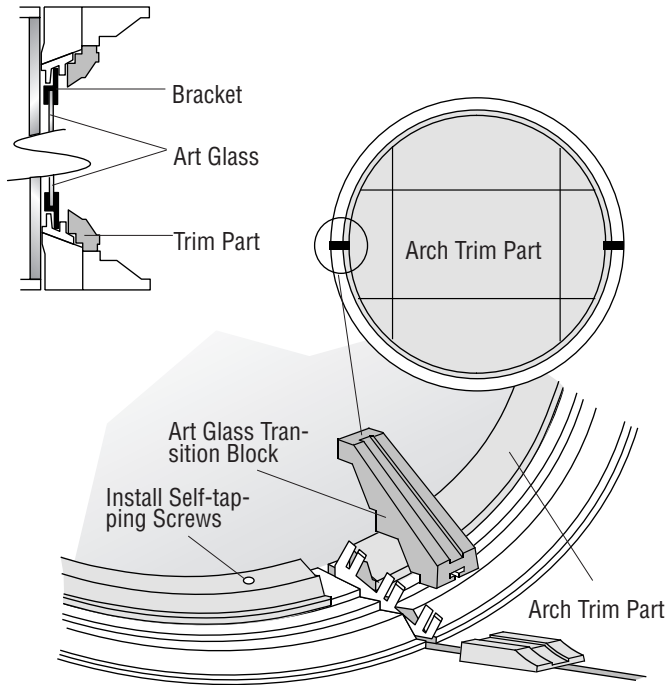
- Lock and snap top and side brackets over art glass panel edge came.



Side by side multi-panel sequence of installation

Interior Views

7. Mounting the Art Glass Trim Kit



⚠ WARNING

Use of improper screw length on sill trim part may interfere with operational hardware and prevent window from opening. Use 9/16" brass screws only for Operating Casement/Awning Sill Trim. Use 1" brass screws for Operating Casement/Awning Top and Side Trim. Refer to screw size chart on page 1.

NOTICE

Some fitting of wood trim parts may be necessary. Carefully measure, sand, and/or cut Trim Parts to size.

Circle or Oval Window Units Only

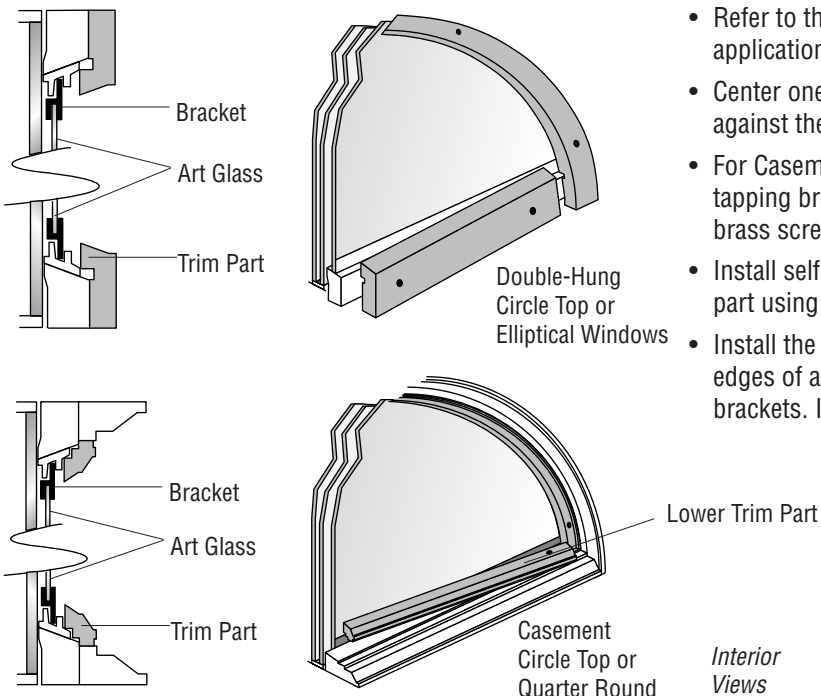
- Center one Arch Trim Part so the back face of the Trim Part rests against the Brackets.
- Using 1" self-tapping brass screws and a phillips screwdriver, install screws into predrilled holes of Arch Trim Part.
- Install other half of Arch Trim Stop using same procedure as above.

NOTICE

If using optional key block in place of transition block, stop here and follow instructions packaged with the key block.

- Snap Art Glass Transition Block over Plastic Transition Piece.

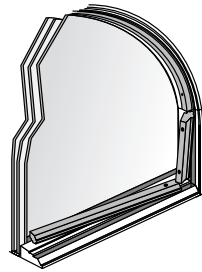
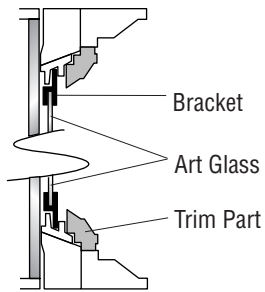
Casement and Narroline Circle Top™, Quarter Round and Elliptical Window Trim Kits



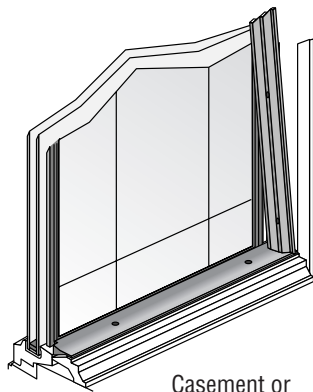
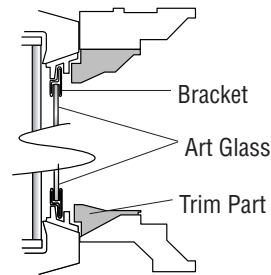
- Refer to the window diagrams on the left to properly match your application.
- Center one Arch Trim Part so the back face of the Trim Part rests against the Brackets.
- For Casement and Double-Hung Circle Top™ units, use 1" self-tapping brass screws. For Elliptical Windows use 3/4" self-tapping brass screws.
- Install self-tapping brass screws into predrilled holes of arch trim part using a Phillips-head screwdriver.
- Install the straight sill (Lower Trim Part), between lower inside edges of arch trim part. Rest back face of trim part against lower brackets. Install self-tapping brass screws into predrilled holes.

Interior Views

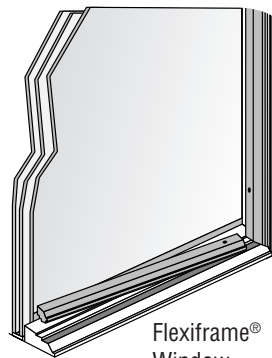
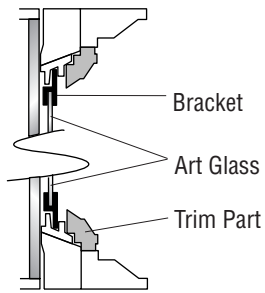
7. Mounting the Art Glass Trim Kit (cont.)



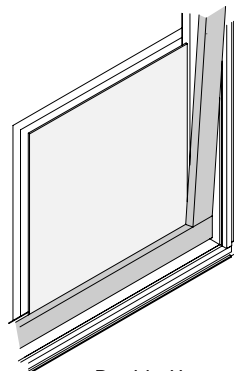
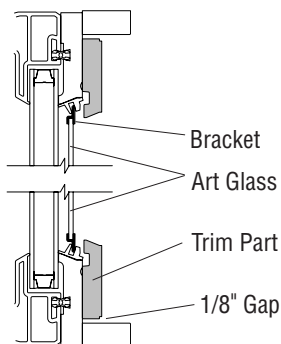
Arch Window



Casement or
Awning Window



Flexiframe®
Window



Double-Hung
Transom Window

Interior Views

Arch Window Trim Kit

- Center Arch Trim Part in unit until it rests against the upper brackets.
- Using the phillips screwdriver, temporarily fasten Trim Part into position by tightening self-tapping brass screws through predrilled holes.
- Temporarily fasten each straight, right and left-hand, Trim part into window unit until the mitered end fits tightly against arch trim part.
- Install the sill, (Lower Trim Part), between lower inside edges of side trim parts. Rest the back face of trim part against lower brackets. Install brass screws into predrilled holes.
- Once all trim parts have been fitted to the window unit and miter joints are tight, finish installing the brass screws

Stationary Casement/Awning Window Trim Kit

- Install the sill, (Lower Trim Part), between lower inside edges of the window unit side trim parts. Rest the back face of trim part against lower brackets. Install 1" brass screws into predrilled holes.
- Install the head, (Upper Trim Part), between upper inside edges of the window unit side trim parts. Rest the back face of trim part against upper brackets. Install 1" brass screws into predrilled holes.
- Install the right and left-hand side Trim Parts between the upper and lower trim parts, making sure edge of side trim part matches up with edges of upper and lower Trim Part. Install 1" brass screws into predrilled holes.

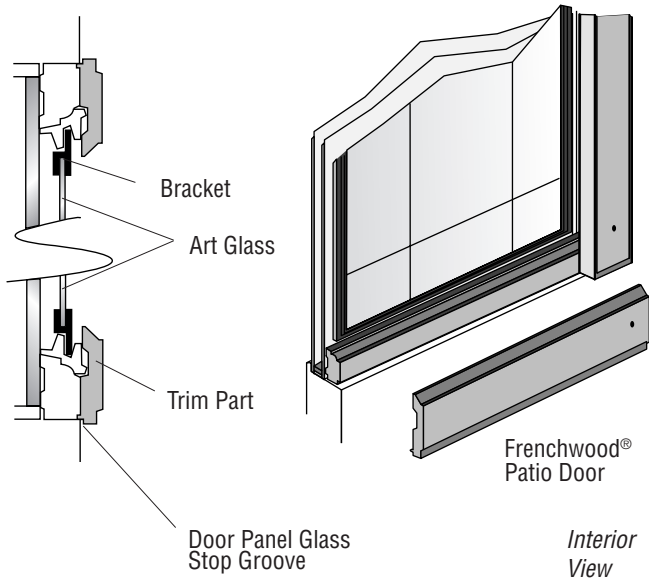
Flexiframe® Window Trim Kit

- Apply side trim parts so the aback face of the trim part rests against the side brackets.
- Using the self-tapping 1" brass screws and phillips screwdriver, install screws into predrilled holes of trim part.
- Install the top and bottom trim parts resting the back face of the trim part against the brackets. Install 1" brass screws into predrilled holes.

Double-Hung Transom Window Trim Kit

- First position bottom Trim Part on sill leaving a 1/8" gap, as shown. Insert 6d penny nails under both ends of Trim Part as a gap guide if needed.
- Make sure bottom Trim Part is centered along sill and fasten Self-tapping 1" Brass Screws into predrilled holes using a Phillips screwdriver. Remove 6d penny nails.
- Position side Trim Parts flush with ends of bottom Trim Part and apply masking tape to hold them temporarily in place.
- Position upper Trim Part above side Trim Parts. Make sure ends are flush with side Trim Parts and fasten using Self-tapping 1" Brass Screws in predrilled holes.
- Make sure ends are flush and fasten side Trim Part(s). Remove masking tape.

7. Mounting the Art Glass Trim Kit (cont.)



Frenchwood® Door Trim Kits

- Install the right or left Trim Part. Make sure the Trim Part's back engages the door Panel Glass Stop Groove. Install 9/16" brass screws into the upper and lower predrilled holes. Trim Part may need to be adjusted after all trim parts have been installed.
- Install the Lower Trim Part. Make sure the Trim Part's Back engages the door Panel Glass Stop Groove. The Lower trim Parts end should fit firmly against the previously installed side trim part. Install 9/16" brass screw into the predrilled holes.
- Install the remaining Side Trim Part. Make sure the Trim Part's Back engages the door Panel Glass Stop Groove. Check fit and align side trim stop with bottom surface of lower trim part. Install 9/16" brass screw into the predrilled holes.
- Install the Upper Trim Part. Make sure the Trim Part's Back engages the door Panel Glass Stop Groove. Install 9/16" brass screw into the predrilled holes.
- Check alignment of the first installed side Trim Part. The bottom of the side Trim Stop should align with the bottom surface of the Lower Trim Part. If misaligned, remove brass screws and realign side trim part. Install 9/16" brass screw into predrilled holes.

Art Glass Cleaning Instructions

⚠ WARNING

Handle Art Glass panel with extreme care. Carry panel in an upright position. Do not twist or bend panel. Failure to do so could cause personal injury or glass breakage.

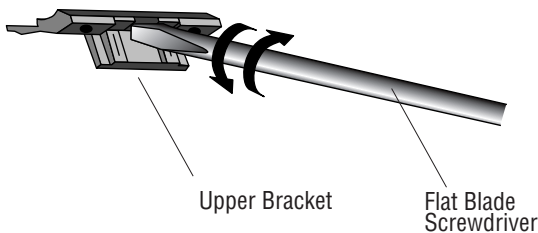
⚠ WARNING

Panel can fall out if fasteners are not secured. Hold in place while releasing brackets and remove carefully. Failure to do so could result in personal injury or glass breakage.

⚠ WARNING

Panel can fall out if fasteners are not secured. Snap and secure upper brackets. Snap lock must click twice to fully engage. Failure to do so could result in personal injury or glass breakage.

Removing the Art Glass Panel From the Window Unit



- Using a phillips screwdriver, remove all Art Glass trim kit parts.
- Unlock the *Upper Brackets* by inserting a flat blade screwdriver into slot in front center of bracket and twisting gently to the left and then right.
- Carefully remove the Art Glass panel from the window unit and lay flat for washing.

⚠ CAUTION

The use of oxidizing agents, acids and abrasive cleaners may damage Art Glass panel. A mild detergent is recommended.

- Using a soft clean cloth and a mild detergent mixed with warm water, carefully clean both sides of the Art Glass panel.
- Wipe dry with a soft clean cloth.

Reinstalling the Art Glass Panel

- Carefully place the Art Glass panel back into the *Lower Brackets* of the window unit.
- Tilt panel into vertical position and securely lock the *Upper Brackets*.
- Reinstall all Art Glass trim Kit Parts.