

Rough Opening Template Instructions for Specialty Windows

Read these instructions before starting procedure. For additional information visit www.andersenwindows.com. For questions call 1-888-888-7020.

Para obtener una versión en español de esta guía, visite el sitio andersenwindows.com

Tools and Supplies Needed:



Safety Glasses



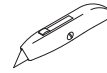
Carpenter's Square



Tape Measure



Pencil

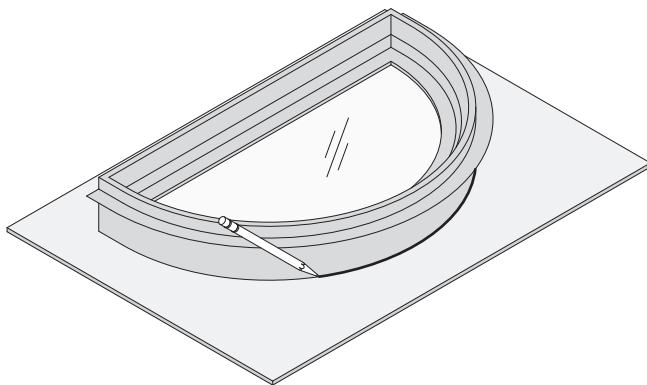


Utility Knife

WARNING

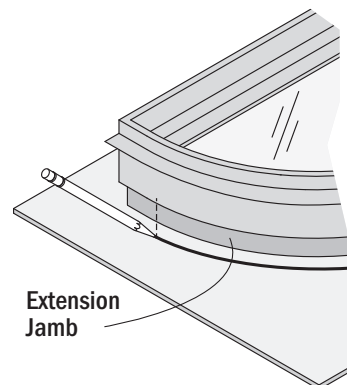
- Windows and doors can be heavy. Use safe lifting techniques and a reasonable number of people with enough strength to lift, carry, and install window and door products. Heavier windows and doors will require mechanical assistance. Failure to do so could result in injury, product or property damage.
- Follow manufacturers' instructions for hand and power tools. Always wear safety glasses. Failure to do so could result in injury, product or property damage.
- DO NOT lift or carry window or door by the exterior trim or extension jambs. Doing so could result in injury, product or property damage.

1

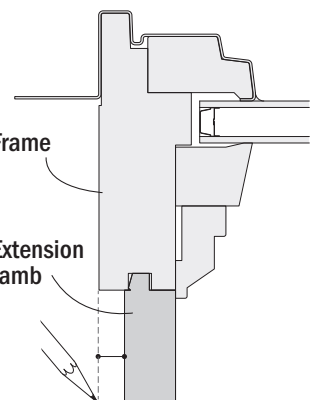


Remove the window from its packaging. Trace the window frame shape on the packaging cardboard or other template material.

IMPORTANT



Extension Jamb



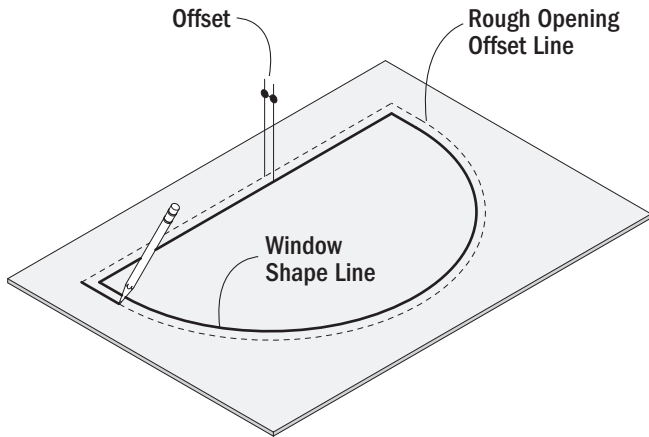
Frame

Extension Jamb

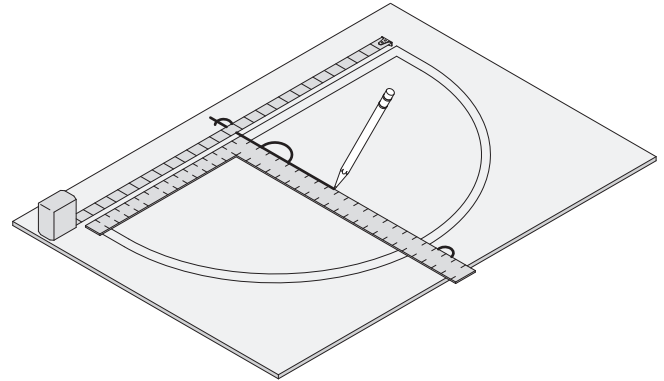
For windows with applied extension jambs, adjust template line to account for the offset between the outside perimeter of the extension jamb and the outside perimeter of the frame.

2

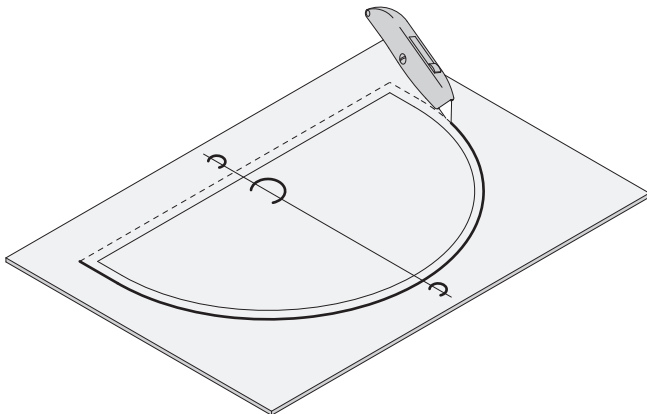
PRODUCT	OFFSET
Andersen® E-Series	1/4"
Andersen A-Series	3/8"
Andersen 400 Series	1/4"
Andersen 200 Series	1/4"
Andersen 100 Series	1/4"



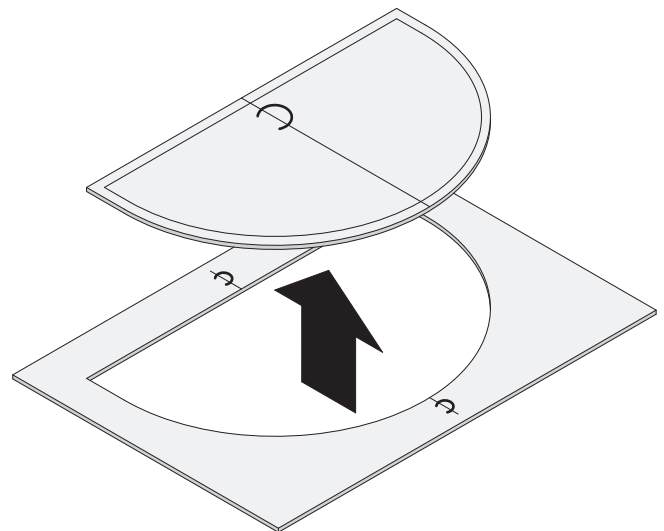
Draw a rough opening offset line around the window shape. The offset dimension is specific to the window series.

3

Measure and mark the center line of the window.

4

Cut out the window template following the rough opening offset line.

5

Separate the rough opening window template. Rough opening window template is ready for use.

► Procedure is complete.