

**What's in This Section**

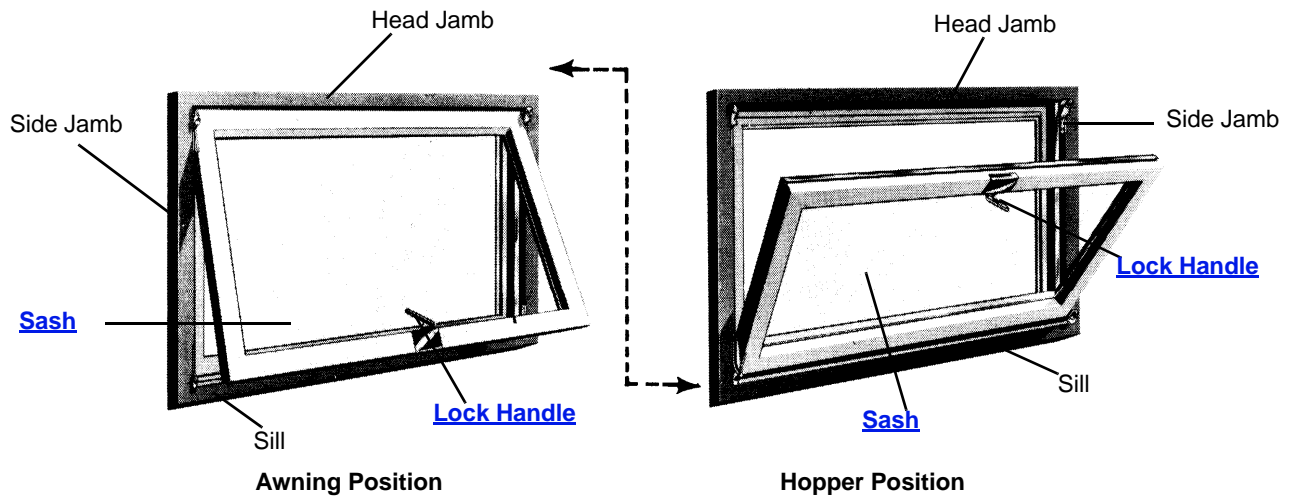
<b>Standard Windows</b> .....	<b>Page 3</b>
<b>Parts Illustration</b> .....	<b>3</b>
<b>Unit Sizes</b> .....	<b>4</b>
<b>Sash</b> .....	<b>5</b>
Sash Size Table .....	5
Sash and Frame Assembly .....	5
Sash .....	6
Weatherstrip .....	6
<b>Insect Screens</b> .....	<b>7</b>
Insect Screens .....	7
<b>Hardware</b> .....	<b>8</b>
Sash / Frame / Insect Screen Hardware .....	8
<b>Frames</b> .....	<b>9</b>
Jambs .....	9



**Parts Illustration**

**Note:**

Construction is all wood. All basement windows are single pane. Basement windows do not have glass logos.



Manufactured 1934 to 2004

**Basement and Utility Window Unit Parts**

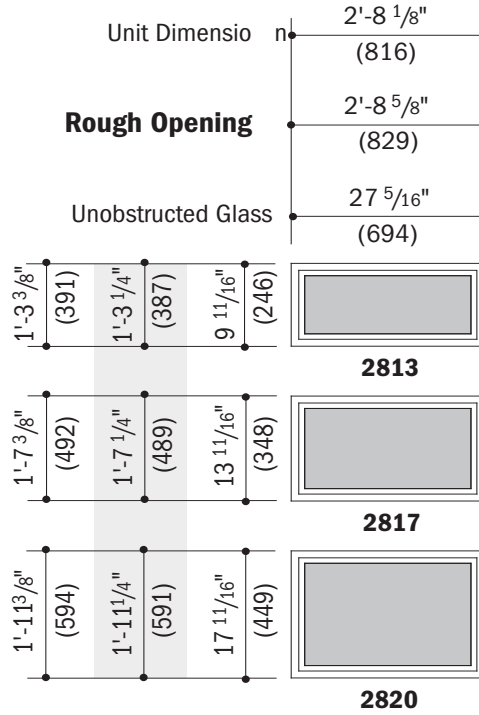
*Unit viewed from interior.*

**Unit Sizes**

**Unit Size Chart**

**Note:**

Unit Dimension refers to overall outside-to-outside frame. Unobstructed Glass refers to visible glass dimensions. Numbers in parentheses are metric measurements.



**Basement and Utility Window Unit Sizes**

*Unit viewed from exterior.*

## Sash

### Sash Size Table

#### Sash Size Table

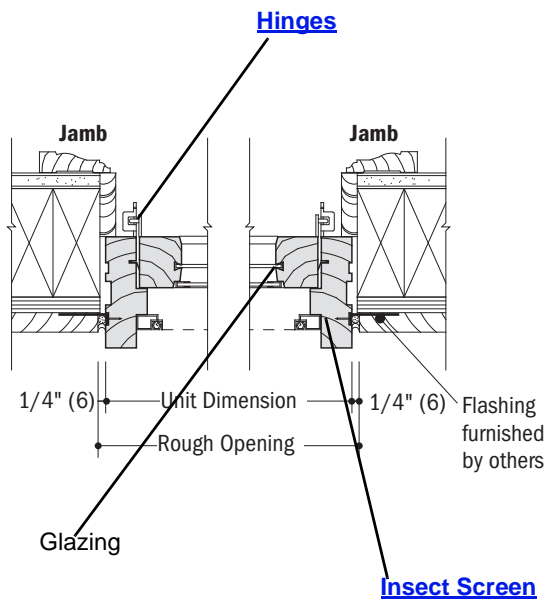
**Note:**

Overall Sash is measured outside edge to outside edge of frame.

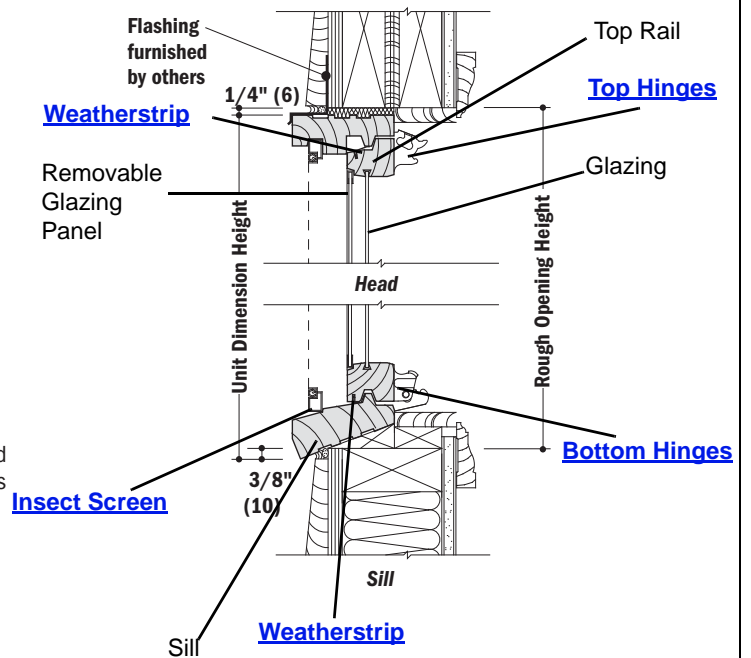
Unobstructed Glass is dimension from outside edge to outside edge of visible glass only.

Unit No.	Overall Sash (w x h)	Unobstructed Glass (w x h)	Actual Glass (w x h)
2813	29 <sup>15</sup> / <sub>16</sub> × 12 <sup>7</sup> / <sub>16</sub>	27 <sup>5</sup> / <sub>16</sub> × 9 <sup>11</sup> / <sub>16</sub>	28 × 10
2817	29 <sup>15</sup> / <sub>16</sub> × 16 <sup>7</sup> / <sub>16</sub>	27 <sup>5</sup> / <sub>16</sub> × 13 <sup>11</sup> / <sub>16</sub>	28 × 14
2820	29 <sup>15</sup> / <sub>16</sub> × 20 <sup>7</sup> / <sub>16</sub>	27 <sup>5</sup> / <sub>16</sub> × 17 <sup>11</sup> / <sub>16</sub>	28 × 18

### Sash and Frame Assembly



Horizontal Section

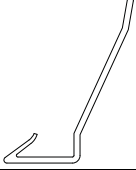


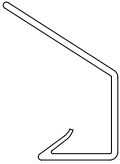
Vertical Section

Basement and Utility Window Sash and Frame Assembly

## Sash

Sash			
Sash - Single Pane / No Hardware			
	<b>Note:</b> Sashes are single pane. Use existing hardware on replacement sash.	Unit No.	White
		2813	0240808
		2817	0240816
		2820	0240824

Weatherstrip		
Weatherstrip - Lock Side		
	<b>Note:</b> Weatherstrip is gray and 29 7/8" long. Cut to length and attach into kerf.	Order No.
		3820110

Weatherstrip - Hinge Side		
	<b>Note:</b> Weatherstrip is gray and 29 7/8" long. Cut to length and attach into kerf.	Order No.
		3820010

# Basement & Utility Windows (1934 to 2004)

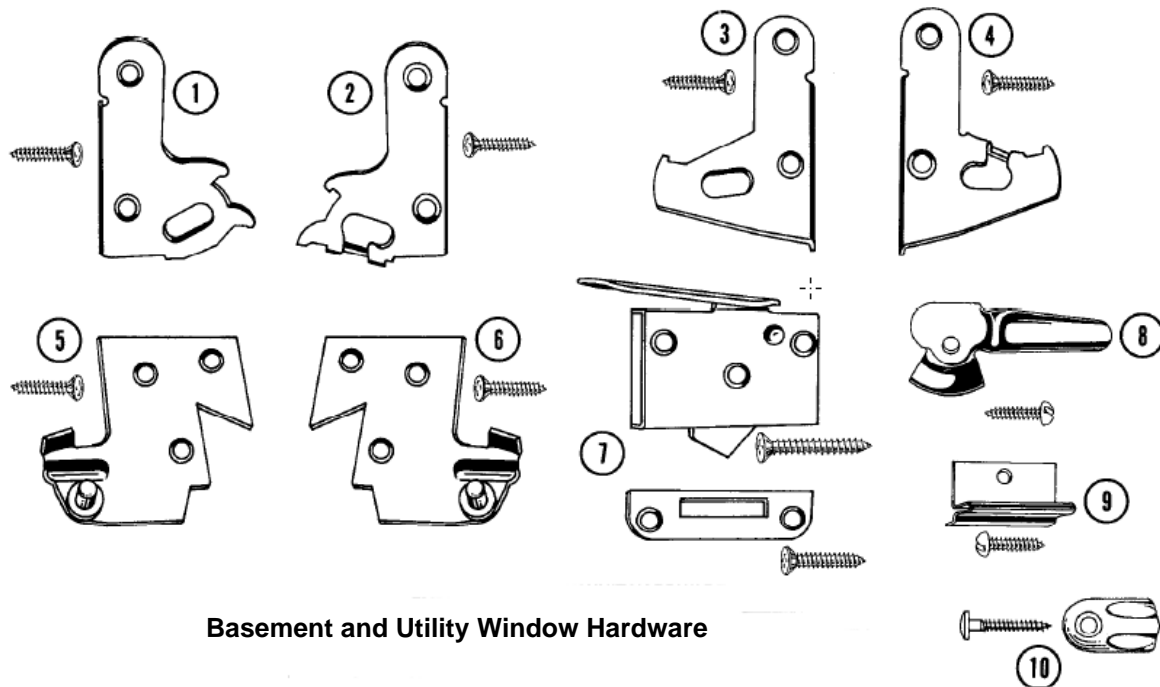
Standard Windows

## Insect Screens

<b>Insect Screens</b>			
<b>Insect Screen</b>			
	<b>Unit No.</b>	<b>Dimensions (w x h)</b>	<b>White</b>
	<b>2813</b>	30 <sup>1</sup> / <sub>32</sub> × 12 <sup>23</sup> / <sub>32</sub>	0238808
	<b>2817</b>	30 <sup>1</sup> / <sub>32</sub> × 16 <sup>23</sup> / <sub>32</sub>	0238816
	<b>2820</b>	30 <sup>1</sup> / <sub>32</sub> × 20 <sup>23</sup> / <sub>32</sub>	0238824

Hardware

Sash / Frame / Insect Screen Hardware



Basement and Utility Window Hardware

<b>Head Hinge with Screws</b> Ref. No. 1 & 2		
<b>Note:</b> Used on awning inswing position and placed on frame. See <a href="#">page 3</a>	<b>Left</b>	<b>Right</b>
	0216808	0216816
<b>Sash Hinge with Screws</b> Ref. No. 5 & 6		
<b>Note:</b> Used on both hopper and awning position and placed on sash. See <a href="#">page 3</a>	<b>Left</b>	<b>Right</b>
	0218416	0218408
<b>Sill Hinge with Screws</b> Ref. No. 3 & 4		
<b>Note:</b> Used on hopper inswing position and placed on frame. See <a href="#">page 3</a>	<b>Left</b>	<b>Right</b>
	0216832	0216824
<b>Lock with Strike and Screws</b> Ref. No. 7		
		<b>Order No.</b>
		0220808
<b>Insect Screen Fasteners with Screws</b> Ref. No. 8		
		N/A
<b>Insect Screen Strike with Screws</b> Ref. No. 9		
		N/A
<b>Buttons and Screws - Storm Package</b> Ref. No. 10		
		N/A



# Basement & Utility Windows (1934 to 2004)

Standard Windows

## Frames

<b>Jambs</b>		
<b>Note:</b> Service replacement only. Order custom size 100 Series Gliding unit for replacement.		
<b>Jamb - Head</b>		
	Unit No.	White
	28	N/A
<b>Jamb - Sill</b>		
	Unit No.	White
	28	N/A
<b>Jamb - Side</b>		
	Unit No.	White
	13	N/A
	17	
	20	

**Notes**

---