

What's in This Section

| | |
|---------------------------------|---------------|
| Standard Windows | Page 3 |
| Parts Illustration | 3 |
| Unit Sizes | 4 |
| Unit Size Chart | 4 |
| Sash | 5 |
| Sash Size Table | 5 |
| Sash Assembly | 6 |
| Insect Screens | 7 |
| Insect Screen - Aluminum | 7 |
| Frames | 9 |
| Frame Assembly | 9 |

Primed Gliding Windows (1940 to 1971)

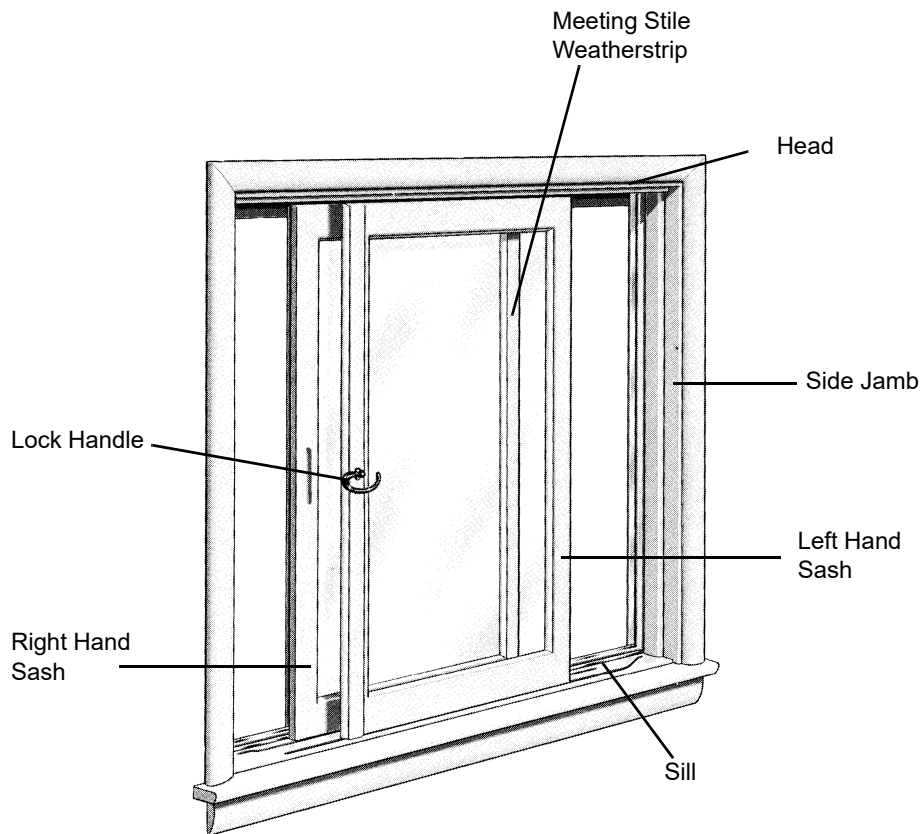
Standard Windows

Parts Illustration

Parts Illustration

Note:

Limited replacement parts are available. The construction is all wood.



**Manufactured 1940 to 1971
Primed Gliding Window Unit Parts**

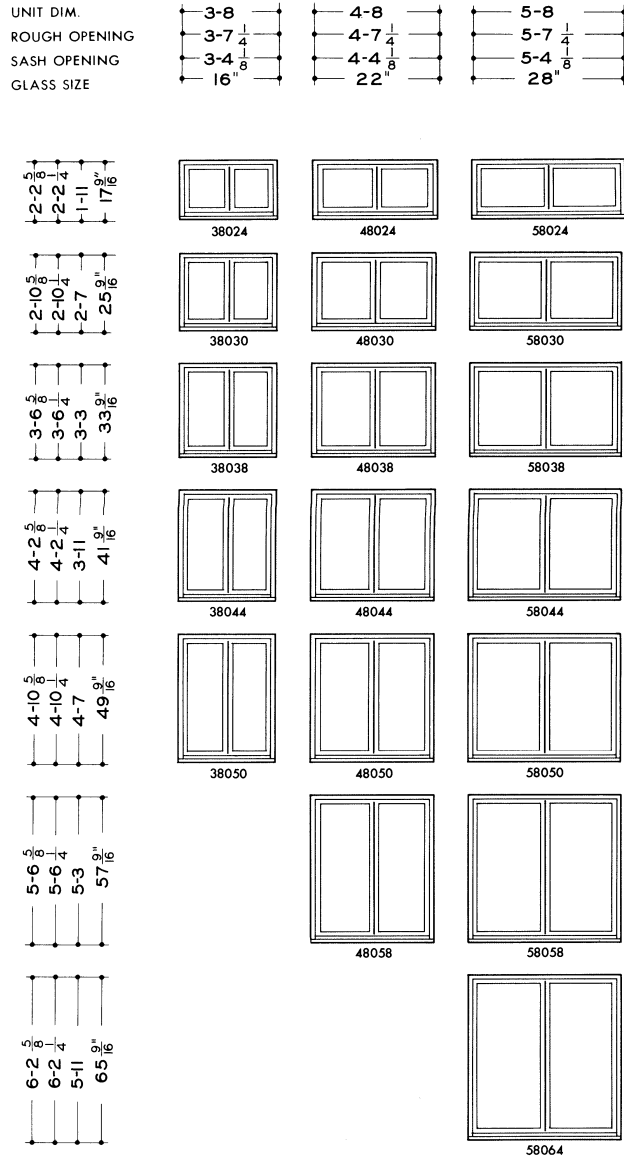
Unit viewed from interior.

Unit Sizes

Unit Size Chart

Note:

Unit Dim. refers to overall outside-to-outside frame. Rough Opening refers to rough stud opening. Sash Opening refers to clear opening dimensions. Glass Size refers to unobstructed (visible) glass dimensions. See [Measuring Visible Glass Video](#).



Primed Gliding Window Unit Sizes

Unit viewed from exterior.

Primed Gliding Windows (1940 to 1971)

Standard Windows

Sash

Sash Size Table

Note:

Overall Sash is measured outside edge to outside edge of frame.

Unobstructed Glass is dimension from outside edge to outside edge of visible glass only.

Actual Glass is dimension of outside edge to outside edge of glass, including glass that is not visible.

Sash Size Table - Standard Windows

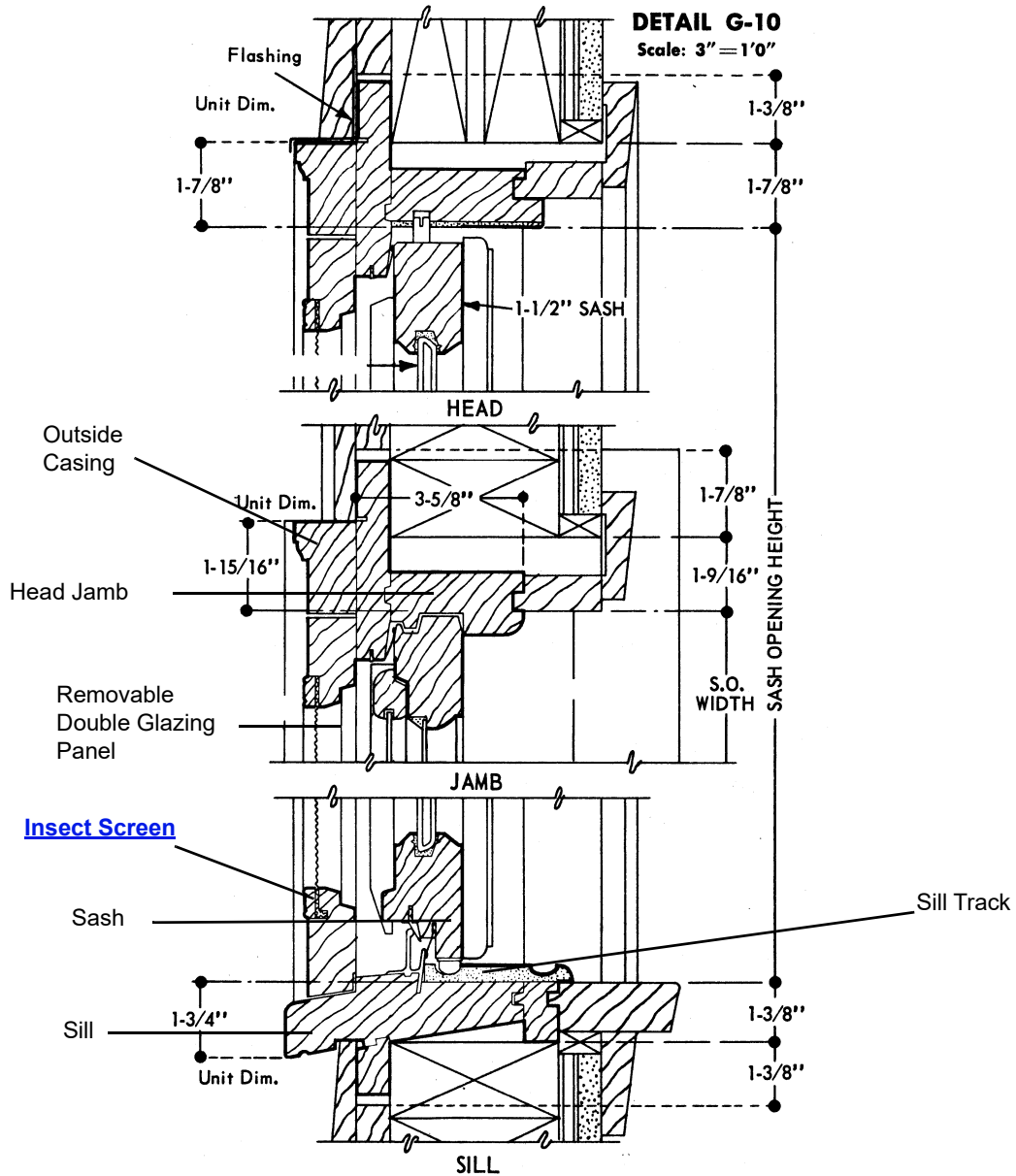
| Unit No. | Overall Sash (w x h) | Unobstructed Glass (w x h) | Actual Glass (w x h) |
|----------|--|--------------------------------------|--------------------------------------|
| 38024 | 20 ¹ / ₄ × 22 ⁵ / ₁₆ | 16 × 17 ⁹ / ₁₆ | 16 ⁷ / ₁₆ × 18 |
| 38030 | 20 ¹ / ₄ × 30 ⁵ / ₁₆ | 16 × 25 ⁹ / ₁₆ | 16 ⁷ / ₁₆ × 26 |
| 38038 | 20 ¹ / ₄ × 38 ⁵ / ₁₆ | 16 × 33 ⁹ / ₁₆ | 16 ⁷ / ₁₆ × 34 |
| 38044 | 20 ¹ / ₄ × 46 ⁵ / ₁₆ | 16 × 41 ⁹ / ₁₆ | 16 ⁷ / ₁₆ × 42 |
| 38050 | 20 ¹ / ₄ × 54 ⁵ / ₁₆ | 16 × 49 ⁹ / ₁₆ | 16 ⁷ / ₁₆ × 50 |
| 48024 | 26 ¹ / ₄ × 22 ⁵ / ₁₆ | 22 × 17 ⁹ / ₁₆ | 22 ⁷ / ₁₆ × 18 |
| 48030 | 26 ¹ / ₄ × 30 ⁵ / ₁₆ | 22 × 25 ⁹ / ₁₆ | 22 ⁷ / ₁₆ × 26 |
| 48038 | 26 ¹ / ₄ × 38 ⁵ / ₁₆ | 22 × 33 ⁹ / ₁₆ | 22 ⁷ / ₁₆ × 34 |
| 48044 | 26 ¹ / ₄ × 46 ⁵ / ₁₆ | 22 × 41 ⁹ / ₁₆ | 22 ⁷ / ₁₆ × 42 |
| 48050 | 26 ¹ / ₄ × 54 ⁵ / ₁₆ | 22 × 49 ⁹ / ₁₆ | 22 ⁷ / ₁₆ × 50 |
| 48058 | 26 ¹ / ₄ × 62 ⁵ / ₁₆ | 22 × 57 ⁹ / ₁₆ | 22 ⁷ / ₁₆ × 58 |
| 58024 | 32 ¹ / ₄ × 22 ⁵ / ₁₆ | 28 × 17 ⁹ / ₁₆ | 28 ⁷ / ₁₆ × 18 |
| 58030 | 32 ¹ / ₄ × 30 ⁵ / ₁₆ | 28 × 25 ⁹ / ₁₆ | 28 ⁷ / ₁₆ × 26 |
| 58038 | 32 ¹ / ₄ × 38 ⁵ / ₁₆ | 28 × 33 ⁹ / ₁₆ | 28 ⁷ / ₁₆ × 34 |
| 58044 | 32 ¹ / ₄ × 46 ⁵ / ₁₆ | 28 × 41 ⁹ / ₁₆ | 28 ⁷ / ₁₆ × 42 |
| 58050 | 32 ¹ / ₄ × 54 ⁵ / ₁₆ | 28 × 49 ⁹ / ₁₆ | 28 ⁷ / ₁₆ × 50 |
| 58058 | 32 ¹ / ₄ × 62 ⁵ / ₁₆ | 28 × 57 ⁹ / ₁₆ | 28 ⁷ / ₁₆ × 58 |
| 58064 | 32 ¹ / ₄ × 70 ⁵ / ₁₆ | 28 × 65 ⁹ / ₁₆ | 28 ⁷ / ₁₆ × 66 |

Sash

Sash Assembly

Note:

Insect Screen shown in illustration is wood insect screen. Wood is no longer available; replace with aluminum insect screens.



Primed Gliding Window Sash and Frame Assembly

Primed Gliding Windows (1940 to 1971)

Standard Windows

Insect Screens

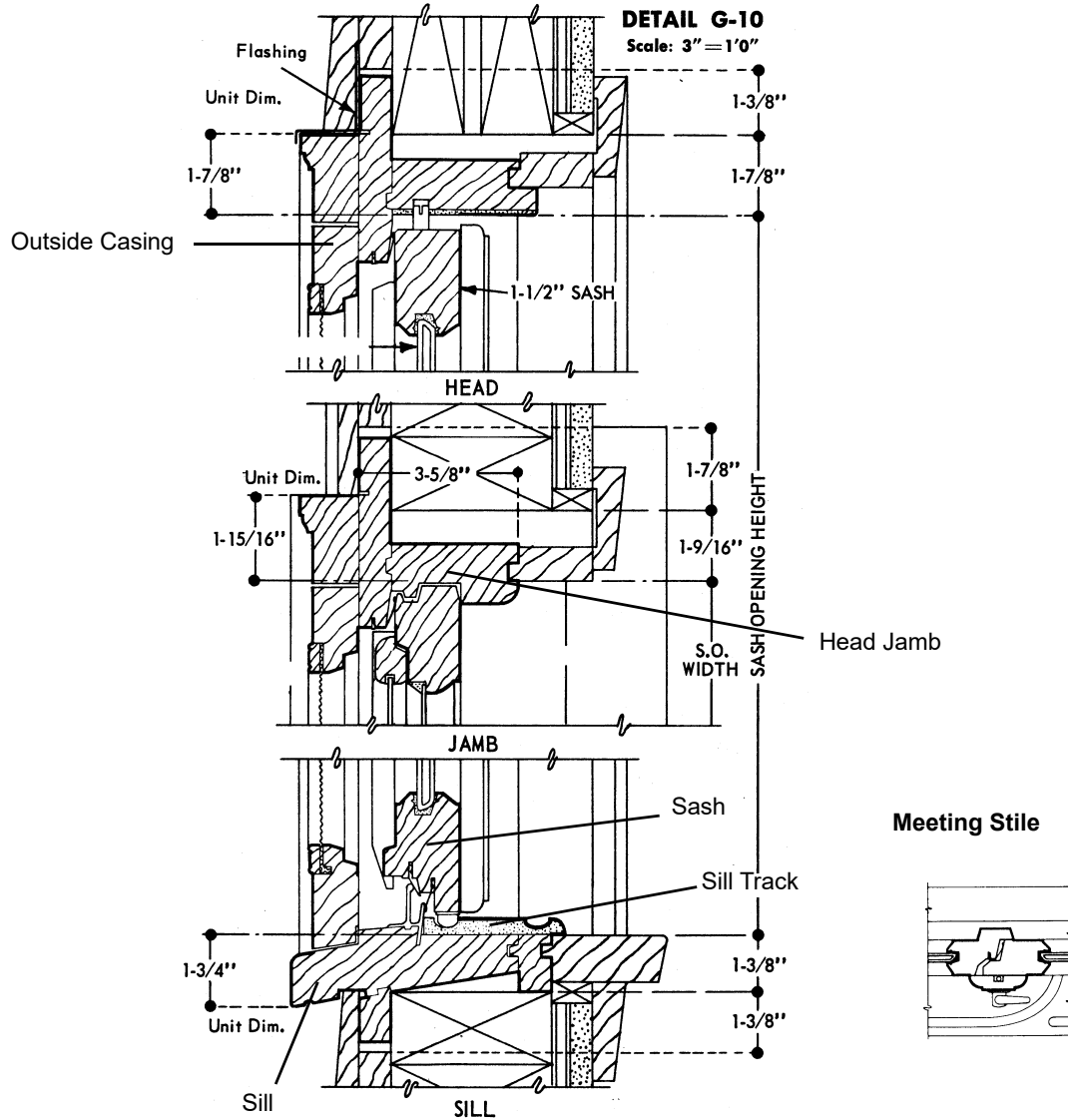
| Insect Screen - Aluminum | | | | | |
|---|----------|--|---------|---------|-------|
| Insect Screen - Aluminum (Single) | | | | | |
| Note: Left hand screens will have (2) two latches, right hand screens will have (1) one latch. | Unit No. | Dimensions (w x h) | White | | Green |
| | | | Left | Right | |
| | 38024 | 39 ⁷ / ₈ × 23 ⁵ / ₆₄ | 8121401 | | N/A |
| | 38030 | 39 ⁷ / ₈ × 31 ⁵ / ₆₄ | 0407210 | | N/A |
| | 38038 | 39 ⁷ / ₈ × 39 ⁵ / ₆₄ | 0407212 | | N/A |
| | 38044 | 39 ⁷ / ₈ × 47 ⁵ / ₆₄ | 0407216 | | N/A |
| | 38050 | 39 ⁷ / ₈ × 55 ⁵ / ₆₄ | 0407220 | | N/A |
| | 48024 | 25 ¹³ / ₁₆ × 23 ⁵ / ₆₄ | 8121402 | 8121403 | |
| | 48030 | 25 ¹³ / ₁₆ × 31 ⁵ / ₆₄ | 0407326 | 0407426 | |
| | 48038 | 25 ¹³ / ₁₆ × 39 ⁵ / ₆₄ | 0407328 | 0407428 | |
| | 48044 | 25 ¹³ / ₁₆ × 47 ⁵ / ₆₄ | 0407332 | 0407432 | |
| | 48050 | 25 ¹³ / ₁₆ × 55 ⁵ / ₆₄ | 0407336 | 0407436 | |
| | 48058 | 25 ¹³ / ₁₆ × 63 ⁵ / ₆₄ | 0407340 | 0407440 | |
| | 58024 | 31 ¹³ / ₁₆ × 23 ⁵ / ₆₄ | 8121404 | 8121405 | |
| | 58030 | 31 ¹³ / ₁₆ × 31 ⁵ / ₆₄ | 0407346 | 0407446 | |
| | 58038 | 31 ¹³ / ₁₆ × 39 ⁵ / ₆₄ | 0407348 | 0407448 | |
| | 58044 | 31 ¹³ / ₁₆ × 47 ⁵ / ₆₄ | 0407352 | 0407452 | |
| | 58050 | 31 ¹³ / ₁₆ × 55 ⁵ / ₆₄ | 0407356 | 0407456 | |
| | 58058 | 31 ¹³ / ₁₆ × 63 ⁵ / ₆₄ | 0407360 | 0407460 | |
| | 58064 | 31 ¹³ / ₁₆ × 71 ⁵ / ₆₄ | 0407364 | 0407464 | |

Insect Screens

| Insect Screen - Aluminum (Pair) | | | | |
|---------------------------------|----------|--|---------|-------|
| | Unit No. | Dimensions (w x h) | White | Green |
| | 48024 | 51 ⁷ / ₈ × 23 ⁵ / ₆₄ | 8121501 | N/A |
| | 48030 | 51 ⁷ / ₈ × 31 ⁵ / ₆₄ | 0407226 | N/A |
| | 48038 | 51 ⁷ / ₈ × 39 ⁵ / ₆₄ | 0407228 | N/A |
| | 48044 | 51 ⁷ / ₈ × 47 ⁵ / ₆₄ | 0407232 | N/A |
| | 48050 | 51 ⁷ / ₈ × 55 ⁵ / ₆₄ | 0407236 | N/A |
| | 48058 | 51 ⁷ / ₈ × 63 ⁵ / ₆₄ | 0407240 | N/A |
| | 58024 | 63 ⁷ / ₈ × 23 ⁵ / ₆₄ | 8121502 | N/A |
| | 58030 | 63 ⁷ / ₈ × 31 ⁵ / ₆₄ | 0407246 | N/A |
| | 58038 | 63 ⁷ / ₈ × 39 ⁵ / ₆₄ | 0407248 | N/A |
| | 58044 | 63 ⁷ / ₈ × 47 ⁵ / ₆₄ | 0407252 | N/A |
| | 58050 | 63 ⁷ / ₈ × 55 ⁵ / ₆₄ | 0407256 | N/A |
| | 58058 | 63 ⁷ / ₈ × 63 ⁵ / ₆₄ | 0407260 | N/A |
| | 58064 | 63 ⁷ / ₈ × 71 ⁵ / ₆₄ | 0407264 | N/A |

| Insect Screen Pull | | |
|---|---------------------------------|-----------|
|  | | Order No. |
| | | 8121701 |
| Strike - Screen / Metal | | |
|  | Note: Includes nails. | Order No. |
| | | 0337808 |

Frame Assembly



Primed Gliding Window Frame Assembly

Frames
