

**What's in This Section**

**Standard Windows** ..... **Page 3**

**Parts Illustration** ..... **3**

**Unit Sizes** ..... **4**

        Unit Size Chart ..... 4

**Sash** ..... **5**

        Sash Size Table ..... 5

        Sash Assembly ..... 6

**Insect Screens** ..... **7**

        Insect Screen - Aluminum ..... 7

**Frames** ..... **9**

        Frame Assembly ..... 9



# Primed Gliding Windows (1940 to 1971)

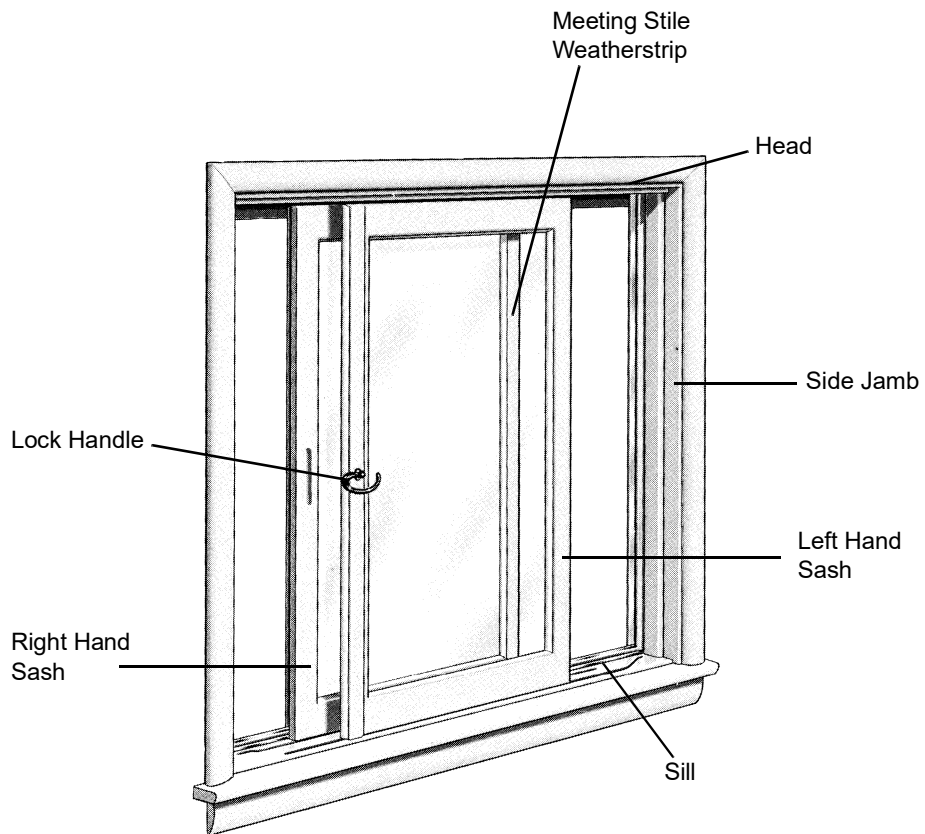
## Standard Windows

### Parts Illustration

#### Parts Illustration

**Note:**

Limited replacement parts are available. The construction is all wood.



**Manufactured 1940 to 1971  
Primed Gliding Window Unit Parts**

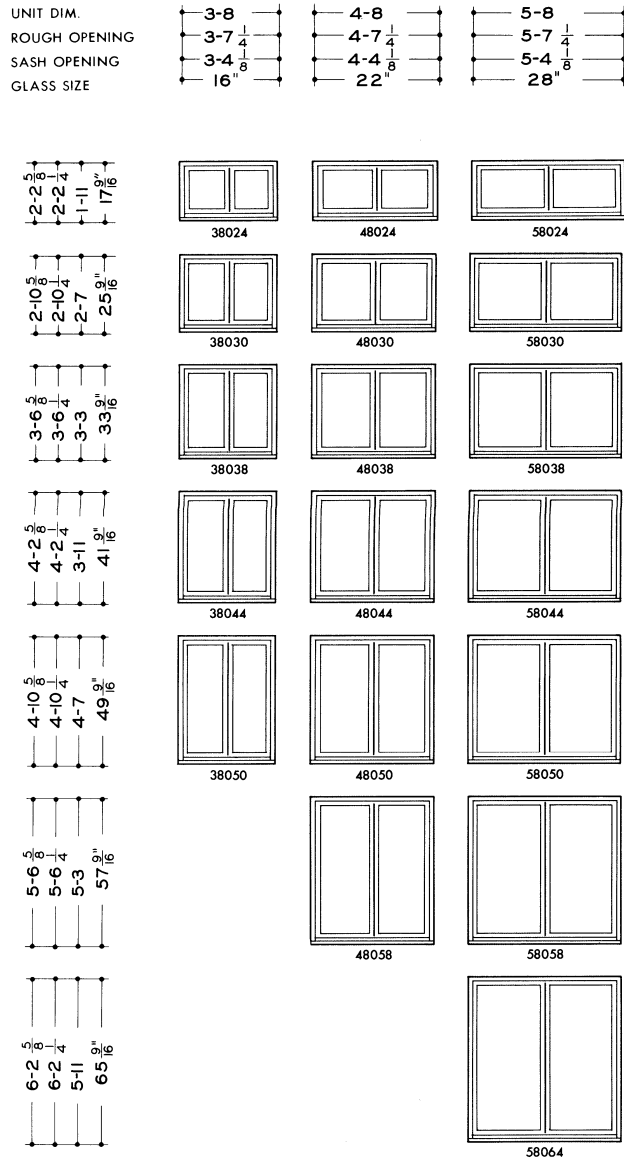
*Unit viewed from interior.*

## Unit Sizes

### Unit Size Chart

**Note:**

Unit Dim. refers to overall outside-to-outside frame. Rough Opening refers to rough stud opening. Sash Opening refers to clear opening dimensions. Glass Size refers to unobstructed (visible) glass dimensions. See [Measuring Visible Glass Video](#).



### Primed Gliding Window Unit Sizes

Unit viewed from exterior.

# Primed Gliding Windows (1940 to 1971)

Standard Windows

## Sash

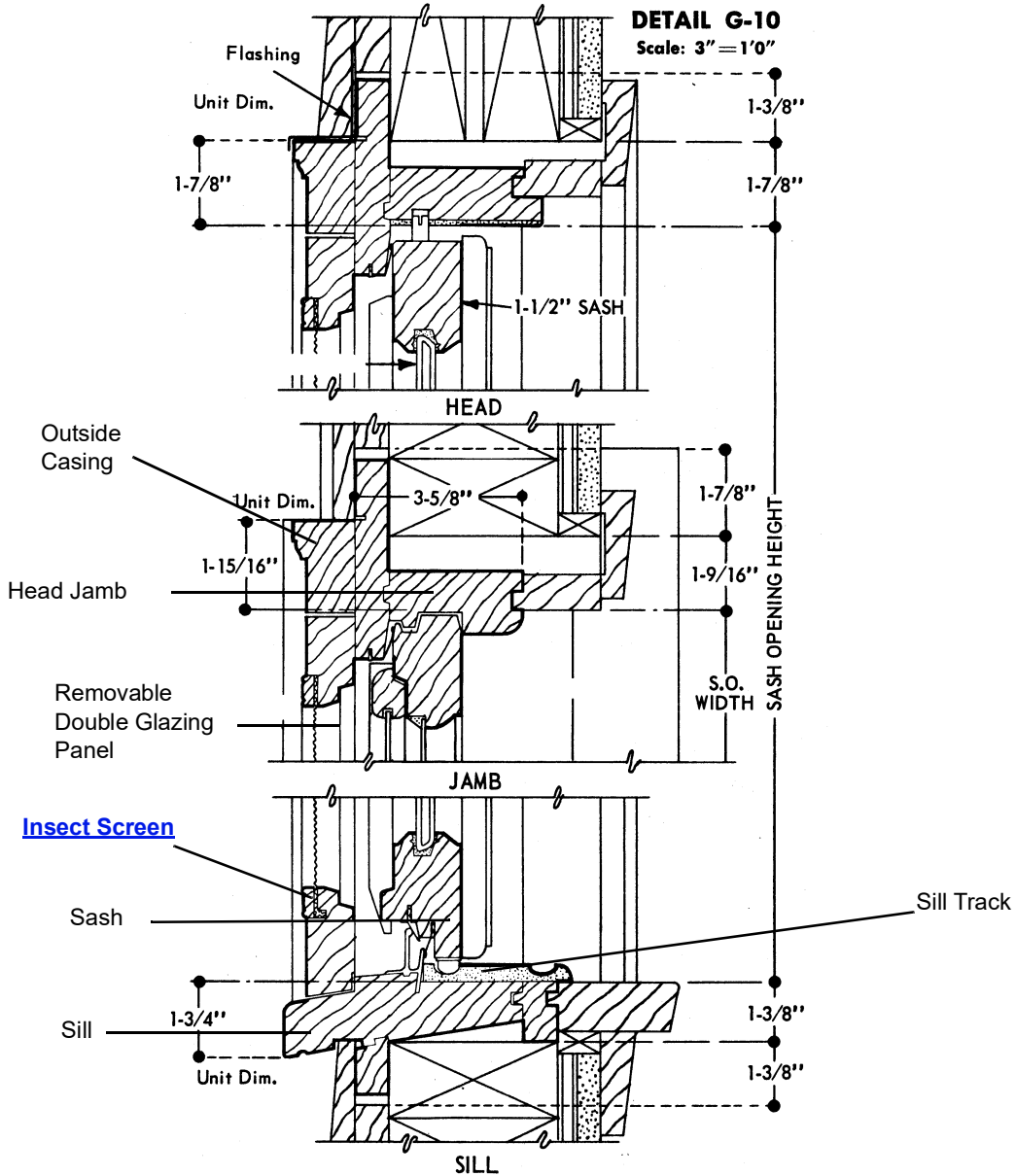
<b>Sash Size Table</b>			
<b>Note:</b>			
Overall Sash is measured outside edge to outside edge of frame.			
Unobstructed Glass is dimension from outside edge to outside edge of visible glass only.			
Actual Glass is dimension of outside edge to outside edge of glass, including glass that is not visible.			
<b>Sash Size Table - Standard Windows</b>			
<b>Unit No.</b>	<b>Overall Sash (w x h)</b>	<b>Unobstructed Glass (w x h)</b>	<b>Actual Glass (w x h)</b>
<b>38024</b>	20 <sup>1</sup> / <sub>4</sub> × 22 <sup>5</sup> / <sub>16</sub>	16 × 17 <sup>9</sup> / <sub>16</sub>	16 <sup>7</sup> / <sub>16</sub> × 18
<b>38030</b>	20 <sup>1</sup> / <sub>4</sub> × 30 <sup>5</sup> / <sub>16</sub>	16 × 25 <sup>9</sup> / <sub>16</sub>	16 <sup>7</sup> / <sub>16</sub> × 26
<b>38038</b>	20 <sup>1</sup> / <sub>4</sub> × 38 <sup>5</sup> / <sub>16</sub>	16 × 33 <sup>9</sup> / <sub>16</sub>	16 <sup>7</sup> / <sub>16</sub> × 34
<b>38044</b>	20 <sup>1</sup> / <sub>4</sub> × 46 <sup>5</sup> / <sub>16</sub>	16 × 41 <sup>9</sup> / <sub>16</sub>	16 <sup>7</sup> / <sub>16</sub> × 42
<b>38050</b>	20 <sup>1</sup> / <sub>4</sub> × 54 <sup>5</sup> / <sub>16</sub>	16 × 49 <sup>9</sup> / <sub>16</sub>	16 <sup>7</sup> / <sub>16</sub> × 50
<b>48024</b>	26 <sup>1</sup> / <sub>4</sub> × 22 <sup>5</sup> / <sub>16</sub>	22 × 17 <sup>9</sup> / <sub>16</sub>	22 <sup>7</sup> / <sub>16</sub> × 18
<b>48030</b>	26 <sup>1</sup> / <sub>4</sub> × 30 <sup>5</sup> / <sub>16</sub>	22 × 25 <sup>9</sup> / <sub>16</sub>	22 <sup>7</sup> / <sub>16</sub> × 26
<b>48038</b>	26 <sup>1</sup> / <sub>4</sub> × 38 <sup>5</sup> / <sub>16</sub>	22 × 33 <sup>9</sup> / <sub>16</sub>	22 <sup>7</sup> / <sub>16</sub> × 34
<b>48044</b>	26 <sup>1</sup> / <sub>4</sub> × 46 <sup>5</sup> / <sub>16</sub>	22 × 41 <sup>9</sup> / <sub>16</sub>	22 <sup>7</sup> / <sub>16</sub> × 42
<b>48050</b>	26 <sup>1</sup> / <sub>4</sub> × 54 <sup>5</sup> / <sub>16</sub>	22 × 49 <sup>9</sup> / <sub>16</sub>	22 <sup>7</sup> / <sub>16</sub> × 50
<b>48058</b>	26 <sup>1</sup> / <sub>4</sub> × 62 <sup>5</sup> / <sub>16</sub>	22 × 57 <sup>9</sup> / <sub>16</sub>	22 <sup>7</sup> / <sub>16</sub> × 58
<b>58024</b>	32 <sup>1</sup> / <sub>4</sub> × 22 <sup>5</sup> / <sub>16</sub>	28 × 17 <sup>9</sup> / <sub>16</sub>	28 <sup>7</sup> / <sub>16</sub> × 18
<b>58030</b>	32 <sup>1</sup> / <sub>4</sub> × 30 <sup>5</sup> / <sub>16</sub>	28 × 25 <sup>9</sup> / <sub>16</sub>	28 <sup>7</sup> / <sub>16</sub> × 26
<b>58038</b>	32 <sup>1</sup> / <sub>4</sub> × 38 <sup>5</sup> / <sub>16</sub>	28 × 33 <sup>9</sup> / <sub>16</sub>	28 <sup>7</sup> / <sub>16</sub> × 34
<b>58044</b>	32 <sup>1</sup> / <sub>4</sub> × 46 <sup>5</sup> / <sub>16</sub>	28 × 41 <sup>9</sup> / <sub>16</sub>	28 <sup>7</sup> / <sub>16</sub> × 42
<b>58050</b>	32 <sup>1</sup> / <sub>4</sub> × 54 <sup>5</sup> / <sub>16</sub>	28 × 49 <sup>9</sup> / <sub>16</sub>	28 <sup>7</sup> / <sub>16</sub> × 50
<b>58058</b>	32 <sup>1</sup> / <sub>4</sub> × 62 <sup>5</sup> / <sub>16</sub>	28 × 57 <sup>9</sup> / <sub>16</sub>	28 <sup>7</sup> / <sub>16</sub> × 58
<b>58064</b>	32 <sup>1</sup> / <sub>4</sub> × 70 <sup>5</sup> / <sub>16</sub>	28 × 65 <sup>9</sup> / <sub>16</sub>	28 <sup>7</sup> / <sub>16</sub> × 66

Sash

Sash Assembly

Note:

Insect Screen shown in illustration is wood insect screen. Wood is no longer available; replace with aluminum insect screens.



Primed Gliding Window Sash and Frame Assembly

# Primed Gliding Windows (1940 to 1971)

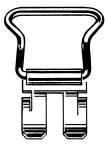
Standard Windows

## Insect Screens

<b>Insect Screen - Aluminum</b>					
<b>Insect Screen - Aluminum (Single)</b>					
<b>Note:</b> Left hand screens will have (2) two latches, right hand screens will have (1) one latch.	<b>Unit No.</b>	<b>Dimensions (w x h)</b>	<b>White</b>		<b>Green</b>
			<b>Left</b>	<b>Right</b>	
	<b>38024</b>	39 <sup>7</sup> / <sub>8</sub> × 23 <sup>5</sup> / <sub>64</sub>	8121401		N/A
	<b>38030</b>	39 <sup>7</sup> / <sub>8</sub> × 31 <sup>5</sup> / <sub>64</sub>	0407210		N/A
	<b>38038</b>	39 <sup>7</sup> / <sub>8</sub> × 39 <sup>5</sup> / <sub>64</sub>	0407212		N/A
	<b>38044</b>	39 <sup>7</sup> / <sub>8</sub> × 47 <sup>5</sup> / <sub>64</sub>	0407216		N/A
	<b>38050</b>	39 <sup>7</sup> / <sub>8</sub> × 55 <sup>5</sup> / <sub>64</sub>	0407220		N/A
	<b>48024</b>	25 <sup>13</sup> / <sub>16</sub> × 23 <sup>5</sup> / <sub>64</sub>	8121402	8121403	
	<b>48030</b>	25 <sup>13</sup> / <sub>16</sub> × 31 <sup>5</sup> / <sub>64</sub>	0407326	0407426	
	<b>48038</b>	25 <sup>13</sup> / <sub>16</sub> × 39 <sup>5</sup> / <sub>64</sub>	0407328	0407428	
	<b>48044</b>	25 <sup>13</sup> / <sub>16</sub> × 47 <sup>5</sup> / <sub>64</sub>	0407332	0407432	
	<b>48050</b>	25 <sup>13</sup> / <sub>16</sub> × 55 <sup>5</sup> / <sub>64</sub>	0407336	0407436	
	<b>48058</b>	25 <sup>13</sup> / <sub>16</sub> × 63 <sup>5</sup> / <sub>64</sub>	0407340	0407440	
	<b>58024</b>	31 <sup>13</sup> / <sub>16</sub> × 23 <sup>5</sup> / <sub>64</sub>	8121404	8121405	
	<b>58030</b>	31 <sup>13</sup> / <sub>16</sub> × 31 <sup>5</sup> / <sub>64</sub>	0407346	0407446	
	<b>58038</b>	31 <sup>13</sup> / <sub>16</sub> × 39 <sup>5</sup> / <sub>64</sub>	0407348	0407448	
	<b>58044</b>	31 <sup>13</sup> / <sub>16</sub> × 47 <sup>5</sup> / <sub>64</sub>	0407352	0407452	
	<b>58050</b>	31 <sup>13</sup> / <sub>16</sub> × 55 <sup>5</sup> / <sub>64</sub>	0407356	0407456	
	<b>58058</b>	31 <sup>13</sup> / <sub>16</sub> × 63 <sup>5</sup> / <sub>64</sub>	0407360	0407460	
	<b>58064</b>	31 <sup>13</sup> / <sub>16</sub> × 71 <sup>5</sup> / <sub>64</sub>	0407364	0407464	

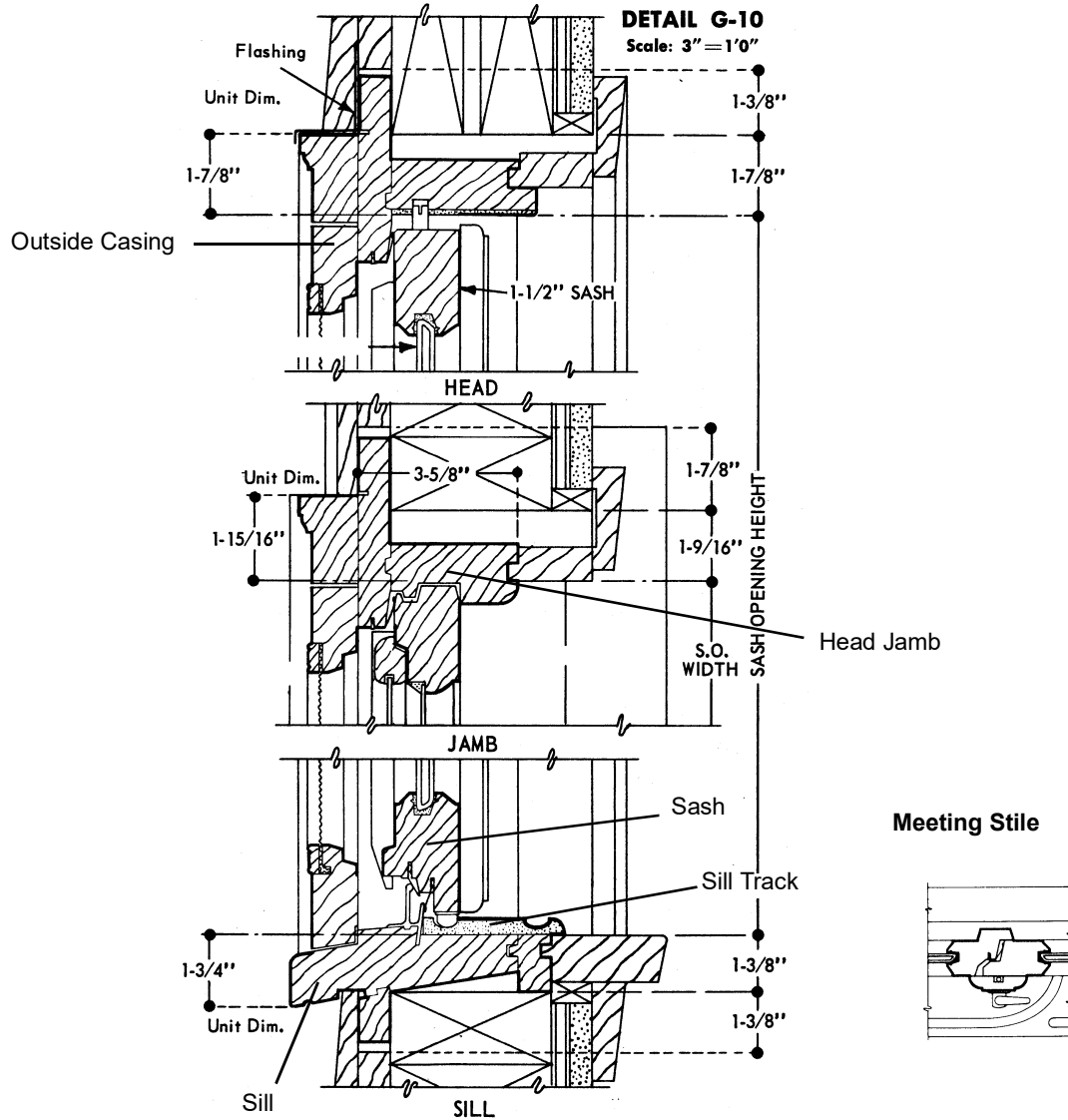
## Insect Screens

Insect Screen - Aluminum (Pair)				
	Unit No.	Dimensions (w x h)	White	Green
	48024	51 <sup>7</sup> / <sub>8</sub> × 23 <sup>5</sup> / <sub>64</sub>	8121501	N/A
	48030	51 <sup>7</sup> / <sub>8</sub> × 31 <sup>5</sup> / <sub>64</sub>	0407226	N/A
	48038	51 <sup>7</sup> / <sub>8</sub> × 39 <sup>5</sup> / <sub>64</sub>	0407228	N/A
	48044	51 <sup>7</sup> / <sub>8</sub> × 47 <sup>5</sup> / <sub>64</sub>	0407232	N/A
	48050	51 <sup>7</sup> / <sub>8</sub> × 55 <sup>5</sup> / <sub>64</sub>	0407236	N/A
	48058	51 <sup>7</sup> / <sub>8</sub> × 63 <sup>5</sup> / <sub>64</sub>	0407240	N/A
	58024	63 <sup>7</sup> / <sub>8</sub> × 23 <sup>5</sup> / <sub>64</sub>	8121502	N/A
	58030	63 <sup>7</sup> / <sub>8</sub> × 31 <sup>5</sup> / <sub>64</sub>	0407246	N/A
	58038	63 <sup>7</sup> / <sub>8</sub> × 39 <sup>5</sup> / <sub>64</sub>	0407248	N/A
	58044	63 <sup>7</sup> / <sub>8</sub> × 47 <sup>5</sup> / <sub>64</sub>	0407252	N/A
	58050	63 <sup>7</sup> / <sub>8</sub> × 55 <sup>5</sup> / <sub>64</sub>	0407256	N/A
	58058	63 <sup>7</sup> / <sub>8</sub> × 63 <sup>5</sup> / <sub>64</sub>	0407260	N/A
	58064	63 <sup>7</sup> / <sub>8</sub> × 71 <sup>5</sup> / <sub>64</sub>	0407264	N/A

Insect Screen Pull		
		Order No.
		8121701



Frame Assembly



Primed Gliding Window Frame Assembly

## Frames

---