

What's in This Section

Standard Windows	Page 3
Parts Illustration	3
Unit Sizes	4
Unit Size Chart	4
Sash	5
Sash Size Table	5
Sash Assembly	6
Insect Screens	7
Insect Screen - Aluminum	7
Frames	9
Frame Assembly	9

Primed Gliding Windows (1940 to 1971)

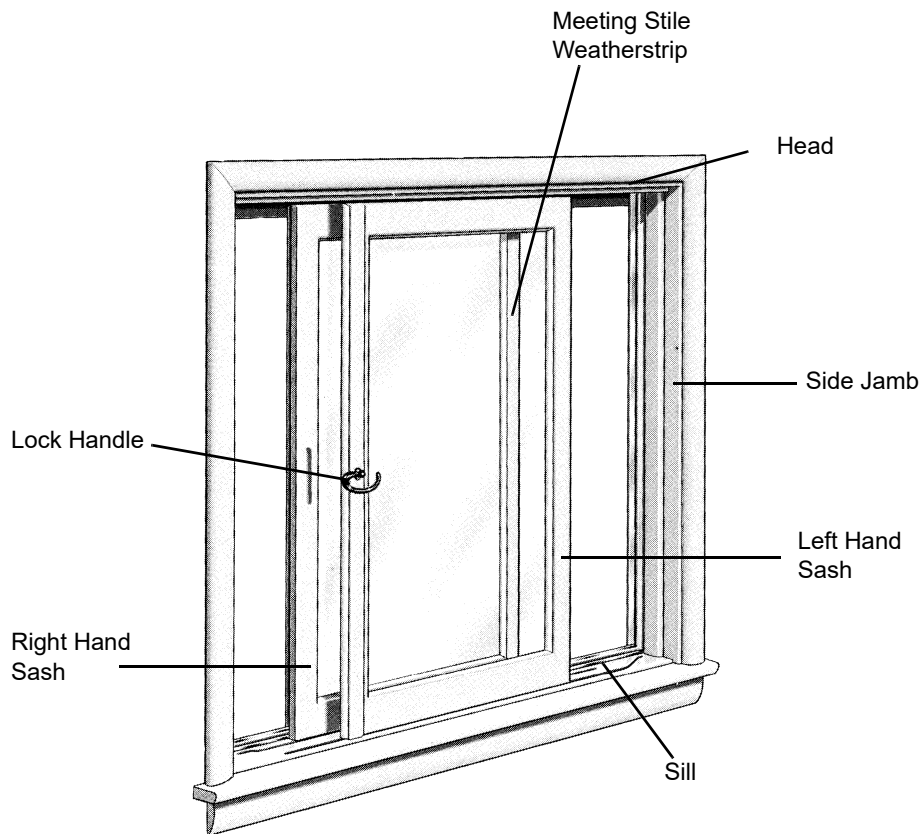
Standard Windows

Parts Illustration

Parts Illustration

Note:

Limited replacement parts are available. The construction is all wood.



**Manufactured 1940 to 1971
Primed Gliding Window Unit Parts**

Unit viewed from interior.

Unit Sizes

Unit Size Chart

Note:

Unit Dim. refers to overall outside-to-outside frame. Rough Opening refers to rough stud opening. Sash Opening refers to clear opening dimensions. Glass Size refers to unobstructed (visible) glass dimensions. See [Measuring Visible Glass Video](#).

UNIT DIM.	3-8	4-8	5-8
ROUGH OPENING	3-7 ¹ / ₄	4-7 ¹ / ₄	5-7 ¹ / ₄
SASH OPENING	3-4 ³ / ₈	4-4 ³ / ₈	5-4 ³ / ₈
GLASS SIZE	16"	22"	28"

$2-2 \frac{5}{8}$ $2-2 \frac{1}{4}$ $1-11 \frac{3}{16}$ $17 \frac{9}{16}$			
38024	48024	58024	
$2-10 \frac{5}{8}$ $2-10 \frac{1}{4}$ $2-7$ $25 \frac{9}{16}$			
38030	48030	58030	
$3-6 \frac{5}{8}$ $3-6 \frac{1}{4}$ $3-3$ $33 \frac{9}{16}$			
38038	48038	58038	
$4-2 \frac{5}{8}$ $4-2 \frac{1}{4}$ $3-11$ $41 \frac{9}{16}$			
38044	48044	58044	
$4-10 \frac{5}{8}$ $4-10 \frac{1}{4}$ $4-7$ $49 \frac{9}{16}$			
38050	48050	58050	
$5-6 \frac{5}{8}$ $5-6 \frac{1}{4}$ $5-3$ $57 \frac{9}{16}$			
		48058	58058
$6-2 \frac{5}{8}$ $6-2 \frac{1}{4}$ $5-11$ $65 \frac{9}{16}$			
			58064

Primed Gliding Window Unit Sizes

Unit viewed from exterior.

Primed Gliding Windows (1940 to 1971)

Standard Windows

Sash

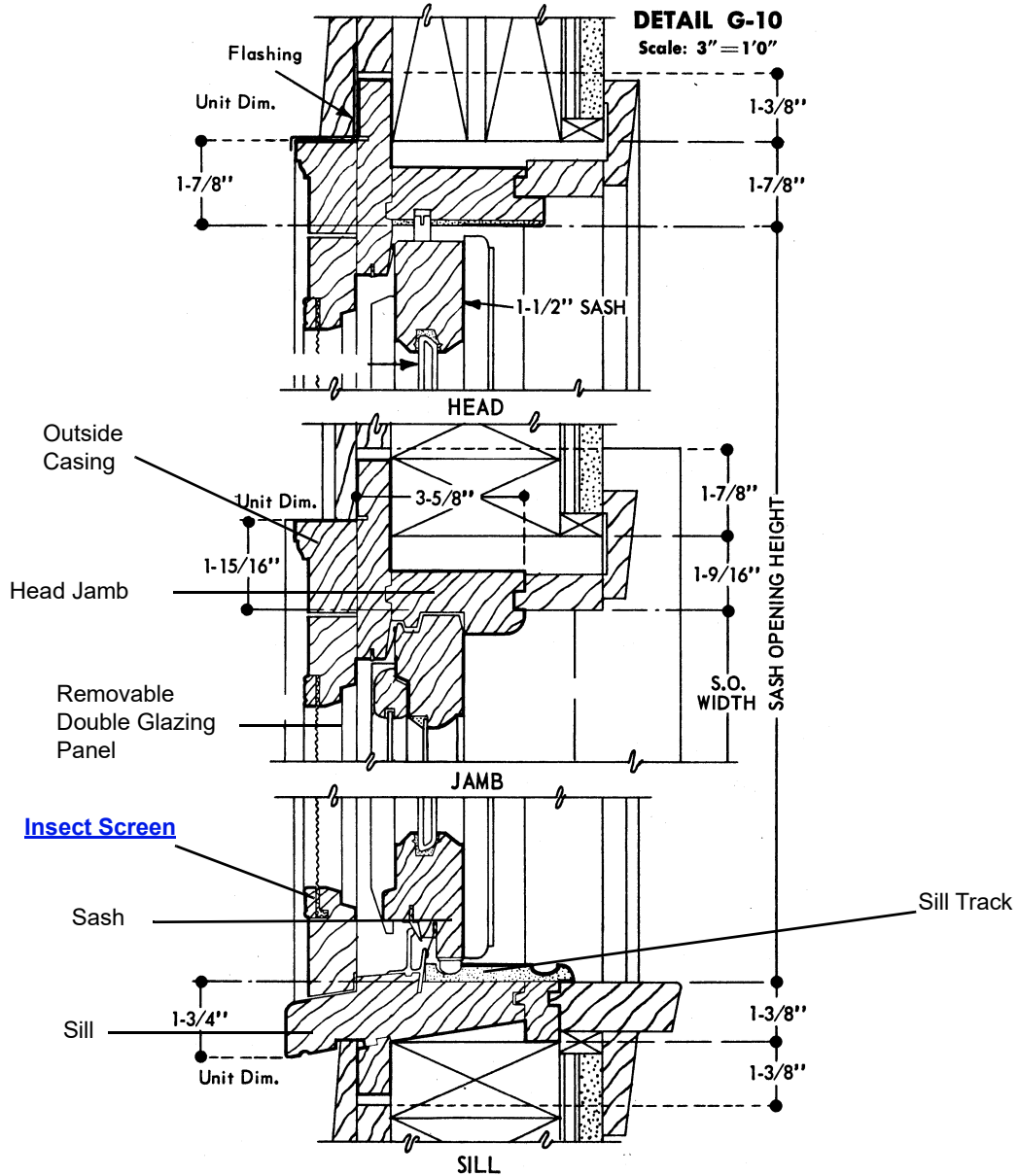
Sash Size Table			
Note:			
Overall Sash is measured outside edge to outside edge of frame.			
Unobstructed Glass is dimension from outside edge to outside edge of visible glass only.			
Actual Glass is dimension of outside edge to outside edge of glass, including glass that is not visible.			
Sash Size Table - Standard Windows			
Unit No.	Overall Sash (w x h)	Unobstructed Glass (w x h)	Actual Glass (w x h)
38024	20 ¹ / ₄ × 22 ⁵ / ₁₆	16 × 17 ⁹ / ₁₆	16 ⁷ / ₁₆ × 18
38030	20 ¹ / ₄ × 30 ⁵ / ₁₆	16 × 25 ⁹ / ₁₆	16 ⁷ / ₁₆ × 26
38038	20 ¹ / ₄ × 38 ⁵ / ₁₆	16 × 33 ⁹ / ₁₆	16 ⁷ / ₁₆ × 34
38044	20 ¹ / ₄ × 46 ⁵ / ₁₆	16 × 41 ⁹ / ₁₆	16 ⁷ / ₁₆ × 42
38050	20 ¹ / ₄ × 54 ⁵ / ₁₆	16 × 49 ⁹ / ₁₆	16 ⁷ / ₁₆ × 50
48024	26 ¹ / ₄ × 22 ⁵ / ₁₆	22 × 17 ⁹ / ₁₆	22 ⁷ / ₁₆ × 18
48030	26 ¹ / ₄ × 30 ⁵ / ₁₆	22 × 25 ⁹ / ₁₆	22 ⁷ / ₁₆ × 26
48038	26 ¹ / ₄ × 38 ⁵ / ₁₆	22 × 33 ⁹ / ₁₆	22 ⁷ / ₁₆ × 34
48044	26 ¹ / ₄ × 46 ⁵ / ₁₆	22 × 41 ⁹ / ₁₆	22 ⁷ / ₁₆ × 42
48050	26 ¹ / ₄ × 54 ⁵ / ₁₆	22 × 49 ⁹ / ₁₆	22 ⁷ / ₁₆ × 50
48058	26 ¹ / ₄ × 62 ⁵ / ₁₆	22 × 57 ⁹ / ₁₆	22 ⁷ / ₁₆ × 58
58024	32 ¹ / ₄ × 22 ⁵ / ₁₆	28 × 17 ⁹ / ₁₆	28 ⁷ / ₁₆ × 18
58030	32 ¹ / ₄ × 30 ⁵ / ₁₆	28 × 25 ⁹ / ₁₆	28 ⁷ / ₁₆ × 26
58038	32 ¹ / ₄ × 38 ⁵ / ₁₆	28 × 33 ⁹ / ₁₆	28 ⁷ / ₁₆ × 34
58044	32 ¹ / ₄ × 46 ⁵ / ₁₆	28 × 41 ⁹ / ₁₆	28 ⁷ / ₁₆ × 42
58050	32 ¹ / ₄ × 54 ⁵ / ₁₆	28 × 49 ⁹ / ₁₆	28 ⁷ / ₁₆ × 50
58058	32 ¹ / ₄ × 62 ⁵ / ₁₆	28 × 57 ⁹ / ₁₆	28 ⁷ / ₁₆ × 58
58064	32 ¹ / ₄ × 70 ⁵ / ₁₆	28 × 65 ⁹ / ₁₆	28 ⁷ / ₁₆ × 66

Sash

Sash Assembly

Note:

Insect Screen shown in illustration is wood insect screen. Wood is no longer available; replace with aluminum insect screens.



Primed Gliding Window Sash and Frame Assembly

Primed Gliding Windows (1940 to 1971)

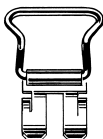
Standard Windows

Insect Screens

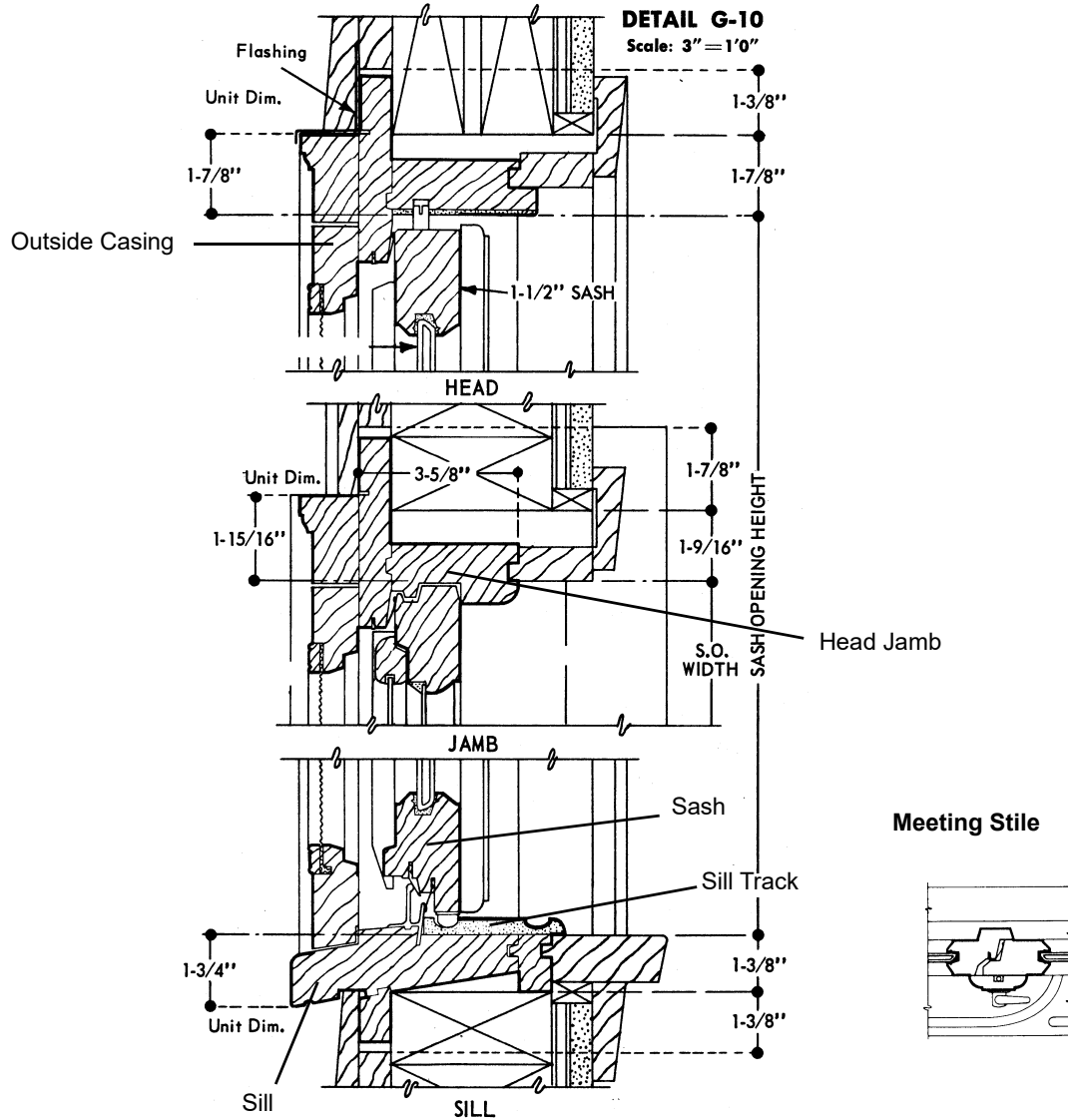
Insect Screen - Aluminum				
Insect Screen - Aluminum (Single)				
Note: Left hand screens will have (2) two latches, right hand screens will have (1) one latch.	Unit No.	Dimensions (w x h)	White	
			Left	Right
	38024	39 ⁷ / ₈ × 23 ⁵ / ₆₄	8121401	
	38030	39 ⁷ / ₈ × 31 ⁵ / ₆₄	0407210	
	38038	39 ⁷ / ₈ × 39 ⁵ / ₆₄	0407212	
	38044	39 ⁷ / ₈ × 47 ⁵ / ₆₄	0407216	
	38050	39 ⁷ / ₈ × 55 ⁵ / ₆₄	0407220	
	48024	25 ¹³ / ₁₆ × 23 ⁵ / ₆₄	8121402	8121403
	48030	25 ¹³ / ₁₆ × 31 ⁵ / ₆₄	0407326	0407426
	48038	25 ¹³ / ₁₆ × 39 ⁵ / ₆₄	0407328	0407428
	48044	25 ¹³ / ₁₆ × 47 ⁵ / ₆₄	0407332	0407432
	48050	25 ¹³ / ₁₆ × 55 ⁵ / ₆₄	0407336	0407436
	48058	25 ¹³ / ₁₆ × 63 ⁵ / ₆₄	0407340	0407440
	58024	31 ¹³ / ₁₆ × 23 ⁵ / ₆₄	8121404	8121405
	58030	31 ¹³ / ₁₆ × 31 ⁵ / ₆₄	0407346	0407446
	58038	31 ¹³ / ₁₆ × 39 ⁵ / ₆₄	0407348	0407448
	58044	31 ¹³ / ₁₆ × 47 ⁵ / ₆₄	0407352	0407452
	58050	31 ¹³ / ₁₆ × 55 ⁵ / ₆₄	0407356	0407456
	58058	31 ¹³ / ₁₆ × 63 ⁵ / ₆₄	0407360	0407460
	58064	31 ¹³ / ₁₆ × 71 ⁵ / ₆₄	0407364	0407464

Insect Screens

Insect Screen - Aluminum (Pair)			
	Unit No.	Dimensions (w x h)	White
	48024	51 ⁷ / ₈ × 23 ⁵ / ₆₄	8121501
	48030	51 ⁷ / ₈ × 31 ⁵ / ₆₄	0407226
	48038	51 ⁷ / ₈ × 39 ⁵ / ₆₄	0407228
	48044	51 ⁷ / ₈ × 47 ⁵ / ₆₄	0407232
	48050	51 ⁷ / ₈ × 55 ⁵ / ₆₄	0407236
	48058	51 ⁷ / ₈ × 63 ⁵ / ₆₄	0407240
	58024	63 ⁷ / ₈ × 23 ⁵ / ₆₄	8121502
	58030	63 ⁷ / ₈ × 31 ⁵ / ₆₄	0407246
	58038	63 ⁷ / ₈ × 39 ⁵ / ₆₄	0407248
	58044	63 ⁷ / ₈ × 47 ⁵ / ₆₄	0407252
	58050	63 ⁷ / ₈ × 55 ⁵ / ₆₄	0407256
	58058	63 ⁷ / ₈ × 63 ⁵ / ₆₄	0407260
	58064	63 ⁷ / ₈ × 71 ⁵ / ₆₄	0407264

Insect Screen Pull		
		Order No.
		8121701

Frame Assembly



Primed Gliding Window Frame Assembly

Frames
