

What's in This Section

Awning and Casement Windows **Page 3**

Parts Illustration **3**

Unit Sizes **4**

 Unit Size Chart 4

Product History **5**

 Milestones 5

Sash **6**

 Guidelines for Ordering Strutwall Sash 6

 Sash Size Table - Strutwall Awning 7

 Sash Size Table - Strutwall Casement 9

 Sash and Frame Assembly 10

Insect Screens **11**

 Insect Screens 11

Hardware **12**

 Operator - Bar-Lock / Hopper Lock / Snap Lock / Awning Lock (1954 - 1979) 12

 Hinge Hardware 13

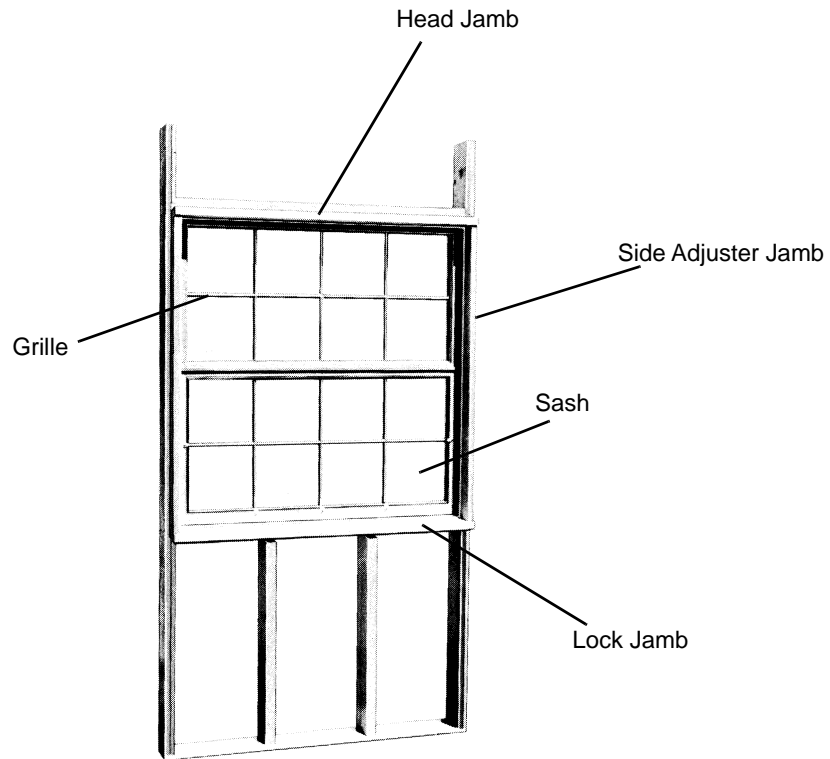
Awning and Casement Windows

Parts Illustration

Parts Illustration

Note:

Limited replacement parts are available. Windows are all wood construction.



Manufactured 1959 to 1965

Strutwall Window Unit Parts

Unit viewed from exterior.

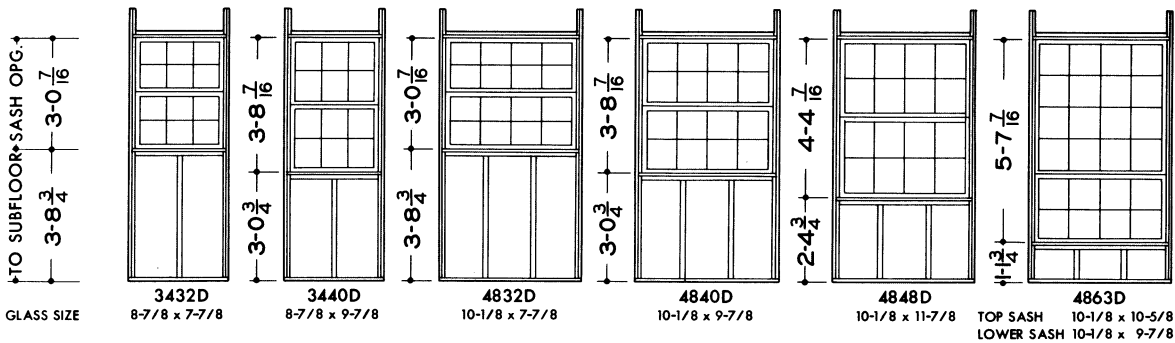
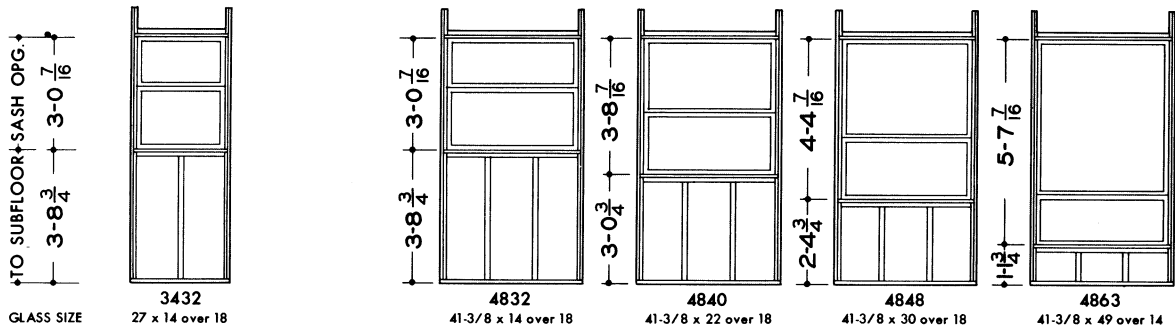
Unit Sizes

Unit Size Chart

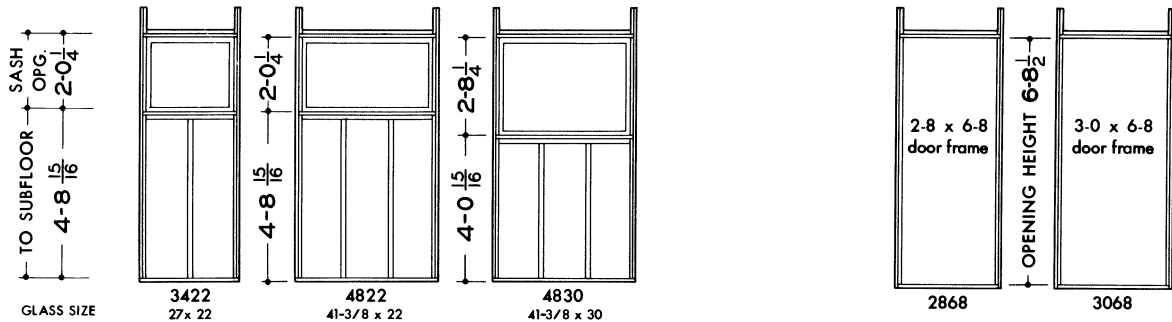
Note:

Glass Size refers to unobstructed (visible) glass. Unit numbers with a "D" are divided light sash.

PANEL WIDTH	$2-9\frac{5}{8}$	$2-9\frac{5}{8}$	4-0	4-0	4-0	4-0
SASH OPENING	2-6	2-6	$3-8\frac{3}{8}$	$3-8\frac{3}{8}$	$3-8\frac{3}{8}$	$3-8\frac{3}{8}$



PANEL WIDTH	$2-9\frac{5}{8}$	4-0	4-0	PANEL WIDTH	$2-11\frac{1}{2}$	$3-3\frac{1}{2}$
SASH OPENING	2-6	$3-8\frac{3}{8}$	$3-8\frac{3}{8}$	DOOR OPG.	2-8	3-0



Strutwall Window Unit Sizes

Unit viewed from exterior.

Product History

Milestones

- 1990** Replacement sash no longer available in single pane glass.
- 1965** Strutwall units discontinued.
- 1962** Grilles for Strutwall units introduced.
Perma-green finished screens introduced.
- 1961** Baked enamel, silver satin and bronze hardware were added as options to polished chrome finish hardware.
Alternative fabrication with box headers, sheathing, extrusion jambs and complete priming introduced for Strutwall units.
- 1960** A cord wheel attachment, for use with above normal reach roto-lock units, introduced.
- 1959** Strutwall window introduced.

Sash

Guidelines for Ordering Strutwall Sash

Note:

The following chart will help you identify the correct sash for a Strutwall window.
 29 and 41 width sash are found in the Beauty-Line® window section.

Unit No.	Upper Sash	Lower Sash	Unit No.	Upper Sash	Lower Sash
3232	3232	3218	4840	4840	4818
3432	3432	218	4840D	4140	4120
3624	N/A	2924 single unit	4840G	4140	4120
3632	2932	2916	4848	4848	4818
3640	2940	2920	4848D	4148	4124
3848G	2948	2924	4848G	4848	4124
4830	N/A	4130	4850G	4150	4120
4832	4832	4818	4863	4863	4814
4832D	4132	4116	4863D	4163	4120
4832G	4132	4116	4863G	4163	4120

Strutwall Windows (1959 to 1965)

Awning and Casement Windows

Sash

Sash Size Table - Strutwall Awning

Note:

Upper/Lower Panel is measured outside edge to outside edge of frame.

Unobstructed Glass is dimension from outside edge to outside edge of visible glass only.

Actual Glass is dimension of outside edge to outside edge of glass, including glass that is not visible.

Note:

Unit numbers with a "D" are divided light sash. Unit numbers with a "G" allow grilles to be installed.

Sash Size Table - Awning Window / Single Pane Glass

Upper or Stationary				Lower or Venting		
Unit No.	Overall Panel	Unobstructed Glass	Actual Glass	Overall Panel	Unobstructed Glass	Actual Glass
3232	28 1/4 x 17	24 3/4 x 13 1/2	25 3/8 x 14	32 1/4 x 21	28 3/4 x 17 1/2	25 3/8 x 18
3422	N/A	N/A	N/A	30 x 25	26 1/2 x 21 1/2	27 x 22
3432	30 x 17	26 1/2 x 13 1/2	27 x 14	30 x 21	26 1/2 x 17 1/2	27 x 18
3432D	N/A	N/A	8 7/8 x 7 7/8	N/A	N/A	8 7/8 x 7 7/8
3440D	N/A	N/A	8 7/8 x 9 7/8	N/A	N/A	8 7/8 x 9 7/8
3624G	N/A	N/A	N/A	32 1/4 x 27	28 3/4 x 23 1/2	29 3/8 x 24
3632G	32 1/4 x 19	28 3/4 x 15 1/2	29 3/8 x 16	32 1/4 x 19	28 3/4 x 15 1/2	29 3/8 x 16
3640G	32 1/4 x 23	28 3/4 x 19 1/2	29 3/8 x 20	32 1/4 x 23	28 3/4 x 19 1/2	29 3/8 x 20
3648G	32 1/4 x 27	28 3/4 x 23 1/2	29 3/8 x 20	32 1/4 x 27	28 3/4 x 23 1/2	29 3/8 x 24
4822	N/A	N/A	N/A	44 1/4 x 25	40 3/4 x 21 1/2	41 3/8 x 22
4824G	N/A	N/A	N/A	44 1/4 x 27	40 3/4 x 23 1/2	41 3/8 x 24
4830	N/A	N/A	N/A	44 1/4 x 33	40 3/4 x 29 1/2	41 3/8 x 30
4830G	N/A	N/A	N/A	44 1/4 x 33	40 3/4 x 29 1/2	41 3/8 x 30
4832	44 1/4 x 17	40 3/4 x 13 1/2	41 3/8 x 18	44 1/4 x 21	40 3/4 x 17 1/2	41 3/8 x 18
4832D	N/A	N/A	10 1/8 x 7 7/8	N/A	N/A	10 1/8 x 7 7/8
4832G	44 1/4 x 19	40 3/4 x 15 1/2	41 3/8 x 16	44 1/4 x 19	40 3/4 x 15 1/2	41 3/8 x 16
4840	44 1/4 x 25	40 3/4 x 21 1/2	41 3/8 x 22	44 1/4 x 21	40 3/4 x 17 1/2	41 3/8 x 18
4840D	N/A	N/A	10 1/8 x 9 7/8	N/A	N/A	10 1/8 x 9 7/8
4840G	44 1/4 x 23	40 3/4 x 19 1/2	41 3/8 x 20	44 1/4 x 23	40 3/4 x 19 1/2	41 3/8 x 20
4848	44 1/4 x 33 1/2	40 3/4 x 29 1/2	41 3/8 x 30	44 1/4 x 21	40 3/4 x 17 1/2	41 3/8 x 18
4848D	N/A	N/A	10 1/8 x 11 7/8	N/A	N/A	10 1/8 x 11 7/8
4848G	44 1/4 x 27 1/2	40 3/4 x 23 1/2	41 3/8 x 24	44 1/4 x 27	40 3/4 x 23 1/2	41 3/8 x 24
4850G	44 1/4 x 33 1/2	40 3/4 x 29 1/2	41 3/8 x 30	44 1/4 x 23	40 3/4 x 19 1/2	41 3/8 x 20
4863	44 1/4 x 52 1/2	40 3/4 x 48 1/2	41 3/8 x 49	44 1/4 x 17	40 3/4 x 13 1/2	41 3/8 x 14
4863D	N/A	N/A	10 1/8 x 10 7/8	N/A	N/A	10 1/8 x 9 7/8
4863G	44 1/4 x 46	40 3/4 x 42 1/2	41 3/8 x 43	44 1/4 x 23	40 3/4 x 19 1/2	41 3/8 x 20

Sash

Sash Size Table - Awning Window / Welded / Dual Pane Insulating Glass						
Upper or Stationary				Lower or Venting		
Unit No.	Overall Panel	Unobstructed Glass	Actual Glass	Overall Panel	Unobstructed Glass	Actual Glass
3232	28 1/4 x 17	24 3/4 x 13 1/2	25 3/8 x 14 1/4	25 1/4 x 17	24 3/4 x 13 1/2	25 5/8 x 18 1/4
3422	N/A	N/A	N/A	30 x 25	26 1/2 x 21 1/2	27 1/4 x 22 1/4
3432	30 1/4 x 17	26 1/2 x 13 1/2	27 1/4 x 14 1/4	30 x 21	26 1/2 x 17 1/2	27 1/4 x 18 1/4
3432D	N/A	N/A	N/A	N/A	N/A	N/A
3440D	N/A	N/A	N/A	N/A	N/A	N/A
3624G	N/A	N/A	N/A	32 1/4 x 27	28 3/4 x 23 1/2	29 5/8 x 24 1/4
3632G	32 1/4 x 19 1/4	28 3/4 x 15 3/4	29 5/8 x 16 1/4	32 1/4 x 19	28 3/4 x 15 1/2	29 5/8 x 16 1/4
3640G	32 1/4 x 23 1/4	28 3/4 x 19 3/4	29 5/8 x 20 1/4	32 1/4 x 23	28 3/4 x 19 1/2	29 5/8 x 20 1/4
3648G	32 1/4 x 27 1/4	28 3/4 x 23 3/4	29 5/8 x 20 1/4	32 1/4 x 27	28 3/4 x 23 1/2	29 5/8 x 24 1/4
4822	N/A	N/A	N/A	44 1/4 x 25	40 3/4 x 21 1/2	41 5/8 x 22 1/4
4824G	N/A	N/A	N/A	44 1/4 x 27	40 3/4 x 23 1/2	41 5/8 x 24 1/4
4830	N/A	N/A	N/A	44 1/4 x 33	40 3/4 x 29 1/2	41 5/8 x 30 1/4
4830G	N/A	N/A	N/A	44 1/4 x 33	40 3/4 x 29 1/2	41 5/8 x 30 1/4
4832	44 1/4 x 17	40 3/4 x 13 1/2	41 5/8 x 14 1/4	44 1/4 x 21	40 3/4 x 17 1/2	41 5/8 x 18 1/4
4832D	N/A	N/A	N/A	N/A	N/A	N/A
4832G	44 1/4 x 19	40 3/4 x 15 1/2	41 5/8 x 16 1/4	44 1/4 x 19	40 3/4 x 15 1/2	41 5/8 x 16 1/4
4840	44 1/4 x 25	40 3/4 x 21 1/2	41 5/8 x 22 1/4	44 1/4 x 21	40 3/4 x 17 1/2	41 5/8 x 18 1/4
4840D	N/A	N/A	N/A	N/A	N/A	N/A
4840G	44 1/4 x 23	40 3/4 x 19 1/2	41 5/8 x 20 1/4	44 1/4 x 23	40 3/4 x 19 1/2	41 5/8 x 20 1/4
4848	44 1/4 x 33	40 3/4 x 29 1/2	41 5/8 x 30 1/4	44 1/4 x 21	40 3/4 x 17 1/2	41 5/8 x 18 1/4
4848D	N/A	N/A	N/A	N/A	N/A	N/A
4848G	44 1/4 x 27	40 3/4 x 23 1/2	41 5/8 x 24 1/4	44 1/4 x 27	40 3/4 x 23 1/2	41 5/8 x 24 1/4
4850G	44 1/4 x 33	40 3/4 x 29 1/2	41 5/8 x 30 1/4	44 1/4 x 23	40 3/4 x 19 1/2	41 5/88 x 20 1/4
4863	44 1/4 x 52	40 3/4 x 48 1/2	41 5/8 x 49 1/4	44 1/4 x 16 3/4	40 3/4 x 13 1/2	41 5/8 x 14 1/4
4863D	N/A	N/A	N/A	N/A	N/A	N/A
4863G	44 1/4 x 46	40 3/4 x 42 1/2	41 5/8 x 43 1/4	44 1/4 x 23	40 3/4 x 19 1/2	41 5/8 x 20 1/4

Sash Size Table - Strutwall Casement

Note:

Upper/Lower Panel is measured outside edge to outside edge of frame.

Unobstructed Glass is dimension from outside edge to outside edge of visible glass only.

Actual Glass is dimension of outside edge to outside edge of glass, including glass that is not visible.

Note:

Unit numbers with a "D" are divided light sash. Unit numbers with a "G" allow grilles to be installed.

Sash Size Table - Casement Window / Single Pane Glass

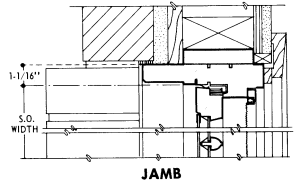
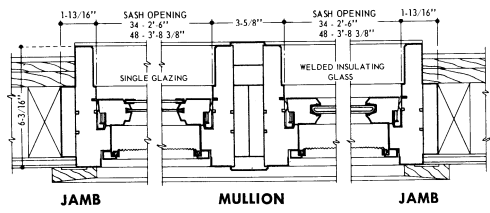
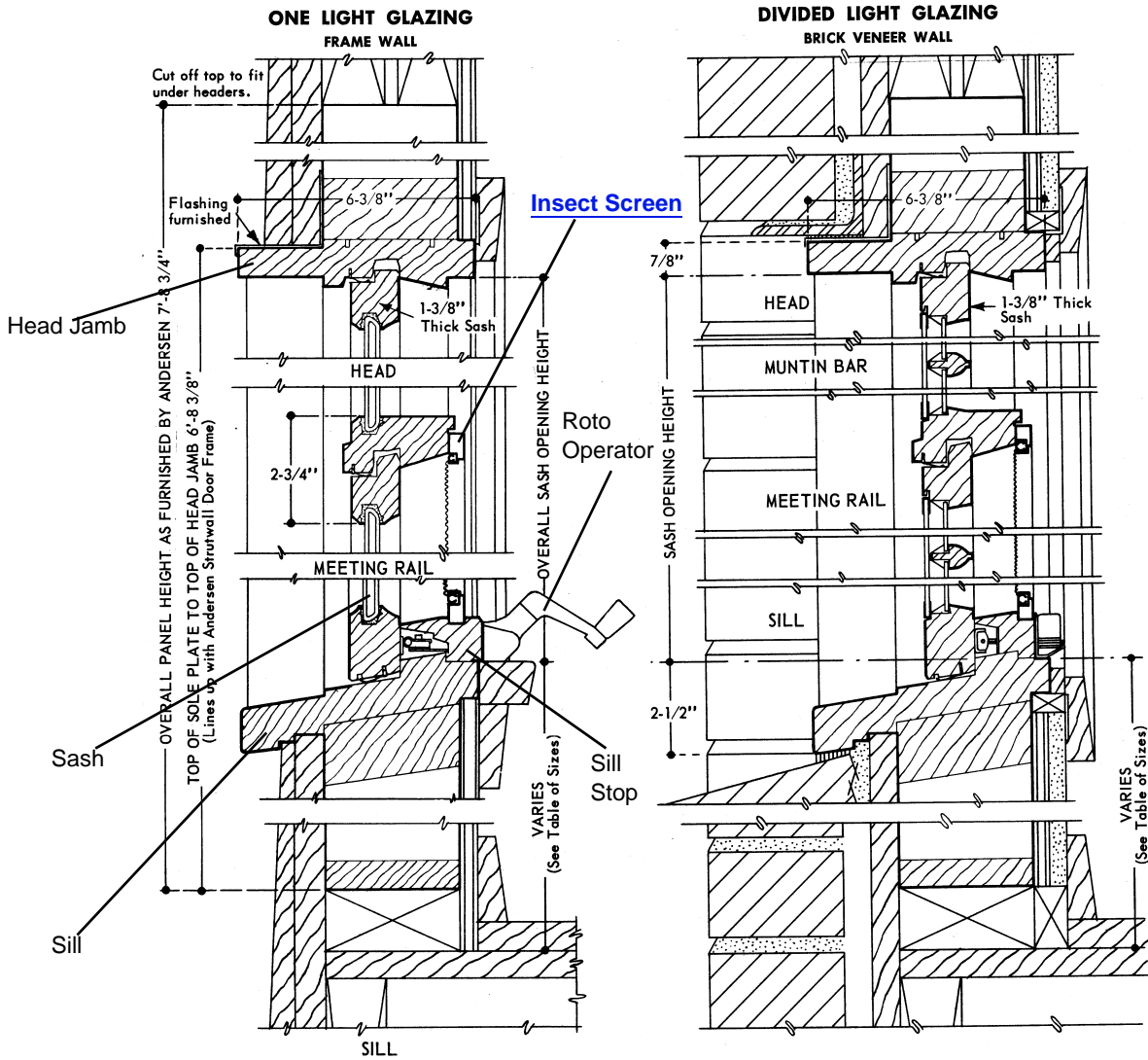
Upper or Stationary				Lower or Venting		
Unit No.	Overall Panel	Unobstructed Glass	Actual Glass	Overall Panel	Unobstructed Glass	Actual Glass
2729G	N/A	N/A	N/A	23 × 32 1/4	19 1/2 × 28 3/4	20 × 29 3/8
4829G	23 × 32 1/4	19 1/2 × 28 3/4	20 × 29 3/8	23 × 32 1/4	19 1/2 × 28 3/4	20 × 29 3/8
7229G	46 × 32 1/4	42 1/2 × 28 3/4	43 × 29 3/8	23 × 32 1/4	19 1/2 × 28 3/4	20 × 29 3/8
2741G	N/A	N/A	N/A	23 × 44 1/4	19 1/2 × 40 3/4	20 × 41 3/8
4841G	23 × 44 1/4	19 1/2 × 40 3/4	20 × 41 3/8	23 × 44 1/4	19 1/2 × 40 3/4	20 × 41 3/8
7241G	46 × 44 1/4	42 1/2 × 40 3/4	43 × 41 3/8	23 × 44 1/4	19 1/2 × 40 3/4	20 × 41 3/8

Sash Size Table - Casement Window / Welded / Dual Pane Glass

Upper or Stationary				Lower or Venting		
Unit No.	Overall Panel	Unobstructed Glass	Actual Glass	Overall Panel	Unobstructed Glass	Actual Glass
2729G	N/A	N/A	N/A	23 × 32 1/4	19 1/2 × 28 3/4	20 1/4 × 29 5/8
4829G	23 × 32 1/4	19 1/2 × 28 3/4	20 1/4 × 29 5/8	23 × 32 1/4	19 1/2 × 28 3/4	20 1/4 × 29 5/8
7229G	46 × 32 1/4	42 1/2 × 28 3/4	43 1/4 × 29 5/8	23 × 32 1/4	19 1/2 × 28 3/4	20 1/4 × 29 5/8
2741G	N/A	N/A	N/A	23 × 44 1/4	19 1/2 × 40 3/4	20 1/4 × 41 5/8
4841G	23 × 44 1/4	19 1/2 × 40 3/4	20 1/4 × 41 5/8	23 × 44 1/4	19 1/2 × 40 3/4	20 1/4 × 41 5/8
7241G	23 × 44 1/4	19 1/2 × 40 3/4	43 1/4 × 41 5/8	23 × 44 1/4	19 1/2 × 40 3/4	20 1/4 × 41 5/8

Sash

Sash and Frame Assembly



Strutwall Window Sash and Frame Assembly

Strutwall Windows (1959 to 1965)

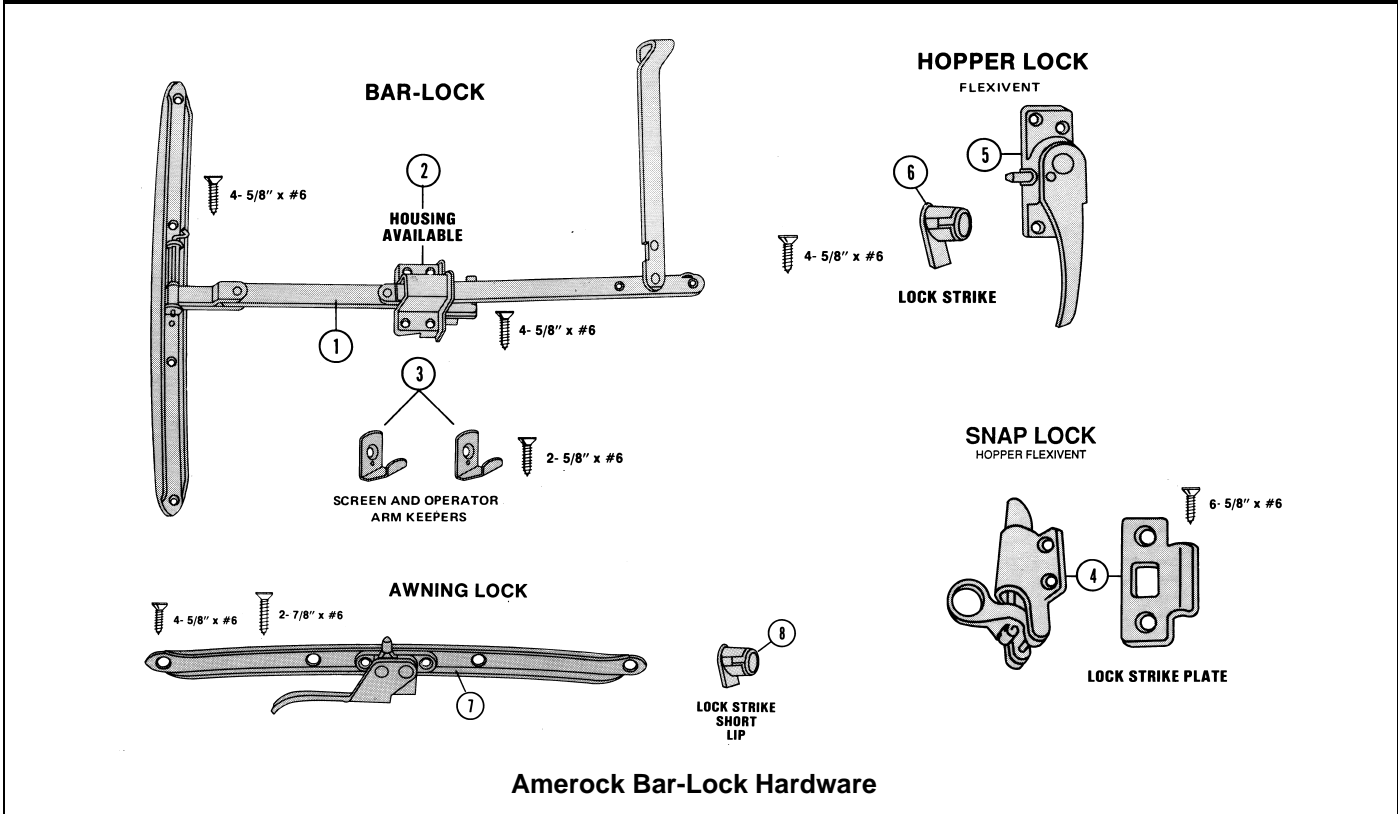
Awning and Casement Windows

Insect Screens

Insect Screens				
Insect Screen - Regular				
	Note: Use when no stops are applied.	Unit No.	Dimensions (w x h)	Order No.
		3218	28 ³ / ₁₆ × 21 ¹ / ₃₂	N/A
		4814	44 ³ / ₁₆ × 17 ¹ / ₃₂	N/A
		4818	44 ³ / ₁₆ × 21 ¹ / ₃₂	N/A
		4822	44 ³ / ₁₆ × 24 ¹ / ₈	N/A
		4830	44 ³ / ₁₆ × 32 ¹ / ₈	N/A
Insect Screen - Bar-Lock				
	Note: Use with Bar-Lock Operator.	Unit No.	Dimensions (w x h)	Order No.
		3218	28 ³ / ₁₆ × 21 ¹ / ₃₂	N/A
		4814	44 ³ / ₁₆ × 17 ¹ / ₃₂	N/A
		4818	44 ³ / ₁₆ × 21 ¹ / ₃₂	N/A
		4822	44 ³ / ₁₆ × 24 ¹ / ₈	N/A
		4830	44 ³ / ₁₆ × 32 ¹ / ₈	N/A
Insect Screen - Roto-Lock				
	Note: Use with Roto-Lock Hardware.	Unit No.	Dimensions (w x h)	Order No.
		3218	28 ⁹ / ₃₂ × 20 ¹ / ₁₆	N/A
		4814	44 ⁹ / ₃₂ × 16 ¹ / ₁₆	N/A
		4818	44 ⁹ / ₃₂ × 20 ¹ / ₁₆	N/A
		4822	44 ⁹ / ₃₂ × 23 ⁵ / ₃₂	N/A
Insect Screen - Type U				
	Note: Type U insect screens are universal insect screens. Can be used with all units with sill stops.	Unit No.	Dimensions (w x h)	Order No.
		3218	27 ⁷ / ₈ × 20 ¹ / ₁₆	N/A
		4814	43 ⁷ / ₈ × 16 ¹ / ₁₆	N/A
		4818	43 ⁷ / ₈ × 20 ¹ / ₁₆	N/A
		4822	43 ⁹ / ₃₂ × 20 ¹ / ₁₆	N/A
		4830	43 ⁹ / ₃₂ × 23 ⁵ / ₃₂	N/A

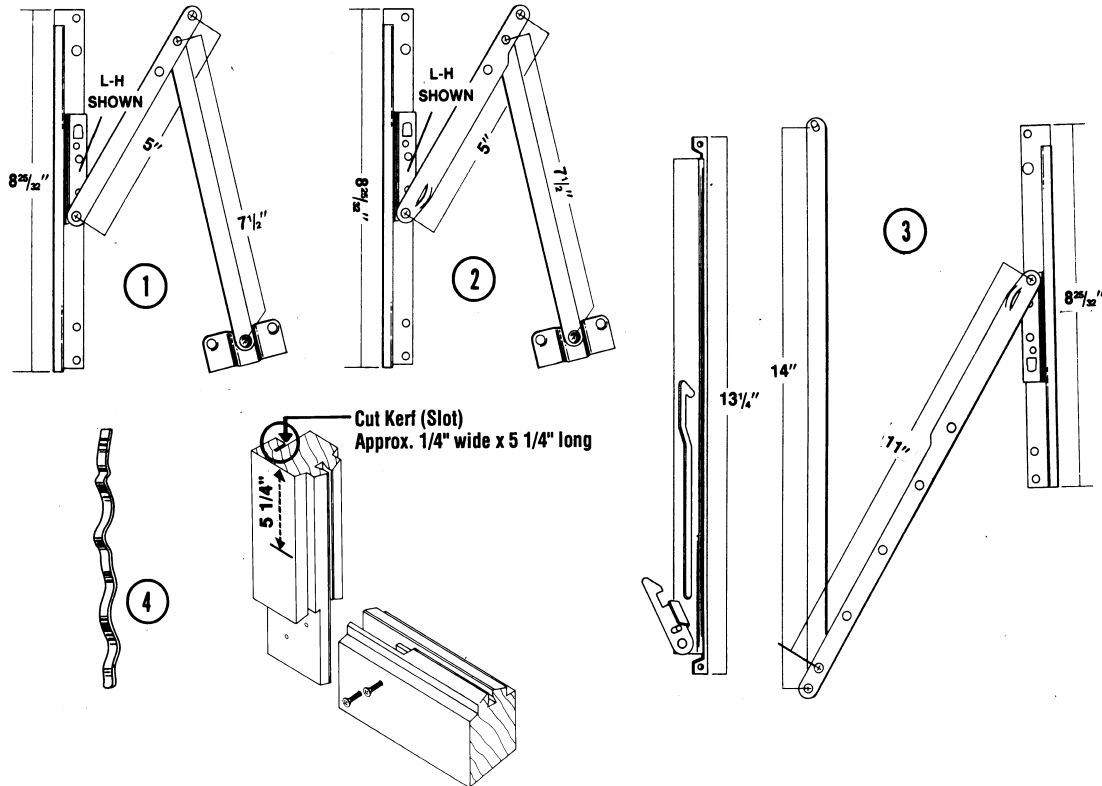
Hardware

Operator - Bar-Lock / Hopper Lock / Snap Lock / Awning Lock (1954 - 1979)



Operator - Amerock / Bar-Lock / No. 7062 Ref. No. 1 and 2		Bronze
Note: Includes housing, clips, and screws.		0336206
Insect Screen and Operator Arm Keepers - Amerock / Bar-Lock Ref. No. 3		Order No.
		N/A
Hopper Sash Lock with Screws - Amerock / Bar-Lock Ref. No. 5		Bronze
		N/A
Hopper Lock Strike - Amerock / Bar-Lock / Long Lip Ref. No. 6		Order No.
		N/A
Awning Lock - Amerock / Bar-Lock Ref. No. 7		Bronze
		N/A
Hopper Lock Strike - Amerock / Bar-Lock / Short Lip Ref. No. 8		Order No.
		N/A

Hinge Hardware (1952 to 1979)



Manufactured 1952 to 1979
Beauty-Line® Hinge Hardware

Adjuster Arm with Screws (Set) (1954 to 1979)

Adjuster No.	Glass Height	Length of Lower Leg (Rivet to Rivet)	Order No.
10A	10"	3"	N/A
14B	14" and 16"	7 1/2"	
18C	18" and 20"	9 1/2"	
22D	22" and 24"	11 1/2"	
30E	30"	13"	

Adjuster Arm Friction Spring

Order No.
N/A

Hinge Set - Egress (1971 to 1979)

Finish	Order No.
Zinc and golden dichromate plating	N/A

Hardware
