

What's in This Section

Standard Windows **Page 3**

Parts Illustration **3**

Unit Sizes **4**

 Unit Size Chart 4

Product History **5**

 Milestones 5

Sash **6**

 Sash Size Table 6

 Sash Assembly 7

 Weatherstrip 8

Removable Glazing Panel Parts **9**

 Removable Glazing Panel Parts 9

Insect Screens **10**

 Insect Screens - Type U 10

Hardware **11**

 Operator - Amerock / Roto-Lock (1959 - 1981) 11

 Operator - Amerock / Lever Roto-Lock (1968 - 1972) 12

 Operator - Amerock / Roto-Lock (1955 - 1959) 12

 Operator - Standard Thompson / Roto-Lock (1954 - 1955) 13

 Operator - Bar-Lock / Hopper Lock / Snap Lock / Awning Lock (1954 - 1979) 14

 Hinge Hardware 15

Frames **16**

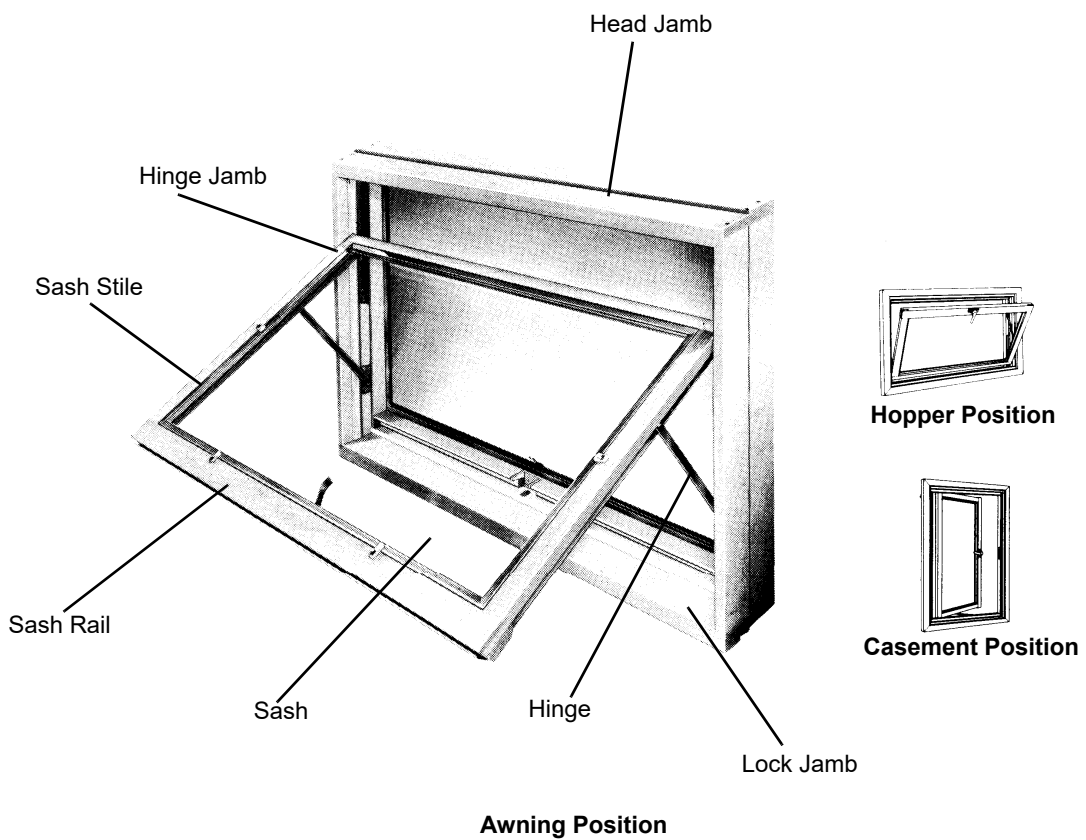
 Frame Assembly 16

 Stops 17

Unit Parts

Note:

When Flexivent unit is installed in the inswing (hopper) position, priming will appear on interior of frame and sash. Limited replacement parts are available. Construction is all wood.



Manufactured 1952 to 1979

Flexivent Window Unit Parts

Unit viewed from exterior.

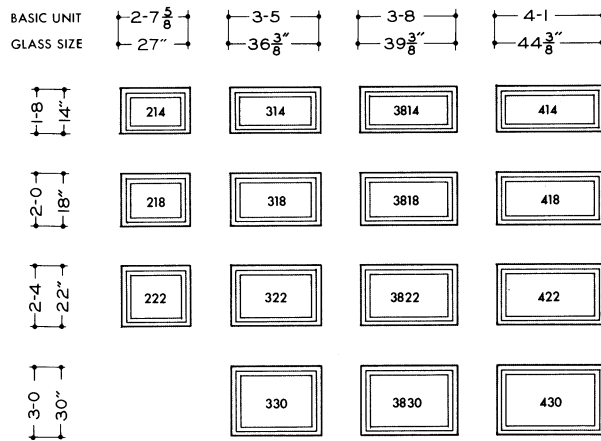
Unit Sizes

Unit Size Chart

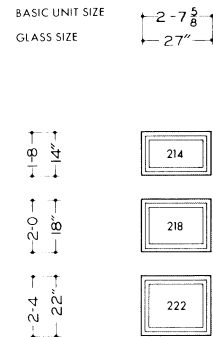
Note:

Unit Dim. refers to overall outside-to-outside frame. Rgh. Opg. refers to rough stud opening. Glass size refers to unobstructed (visible) glass dimensions. See [Measuring Visible Glass Video](#).

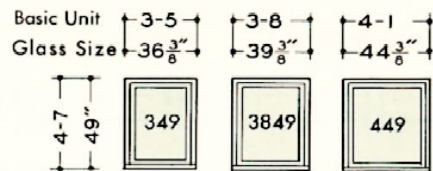
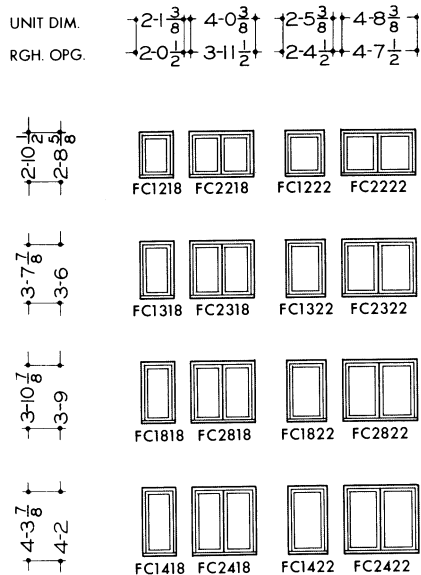
Awning Position



Basement Position



Casement Position



Flexivent Window Unit Sizes

Unit viewed from exterior.

Product History

Milestones

- 2018** Replacement sash no longer available.
- 1990** Single pane glass replacement sash no longer available.
- 1979** Flexivent units discontinued.
- 1971** Vinyl weatherstrip introduced.
- 1965** Flexivent Angle Bay units introduced.
- 1961** Baked enamel, silver satin and bronze hardware were added as options to polished chrome finish hardware.
- 1960** A cord wheel attachment, for use with above normal reach roto-lock units, introduced
- 1958** Bar-lock hardware introduced.
Obscure glass introduced as an optional glazing
- 1957** Andersen Seal-Trim, complete exterior trim set, introduced.
- 1955** Wood frame screens discontinued.
- 1954** Picture window Flexivent units introduced (called Flexiview).
Removable glazing panels introduced.
- 1953** Flexivent Window unit introduced.

Sash

Sash Size Table

Sash Size Table - Standard Window / Single Pane Glass

Note:

Sash size table provided for identification purposes only. Flexivent replacement sash are not available.

Sash Size Table - Standard Window / Dual Pane Insulating Glass

Note:

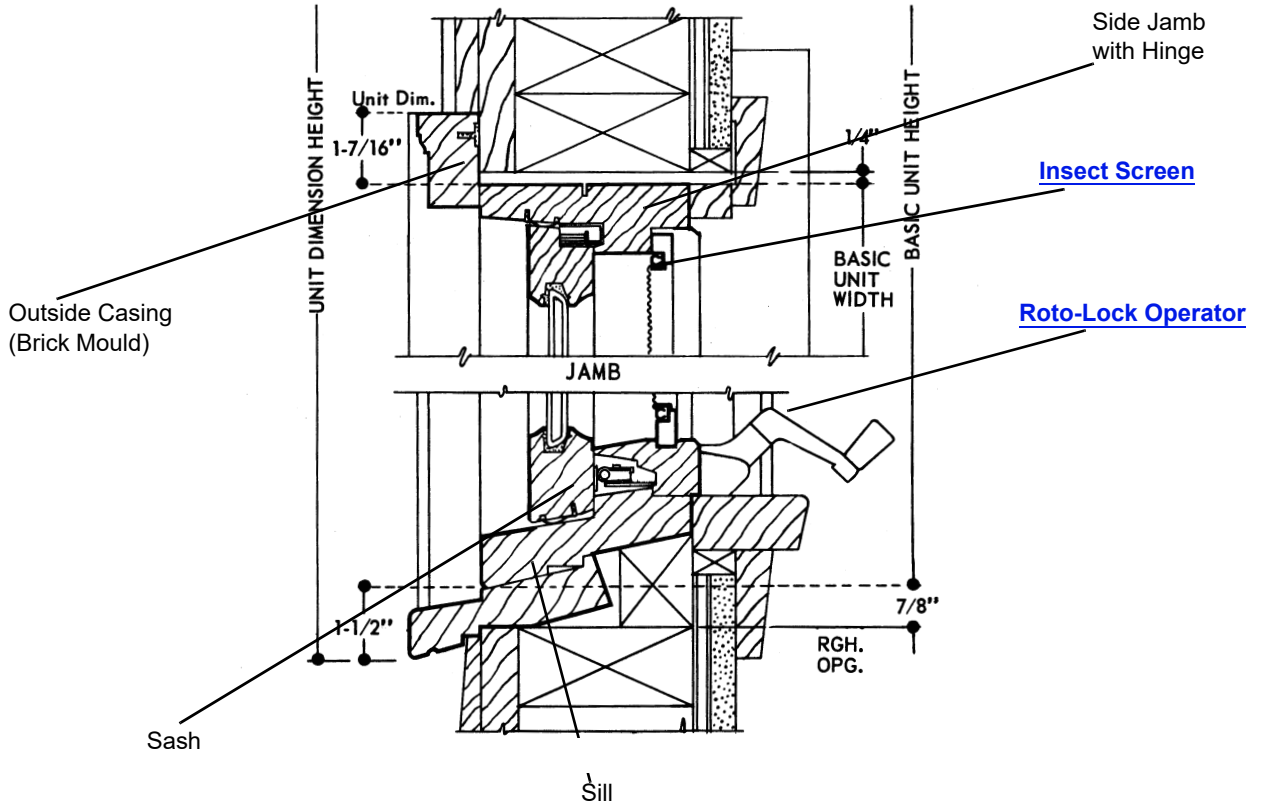
Overall Sash is measured outside edge to outside edge of frame.

Unobstructed Glass is dimension from outside edge to outside edge of visible glass only.

Actual Glass is dimension of outside edge to outside edge of glass, including glass that is not visible.

Unit No.	Overall Sash (w x h)	Unobstructed Glass (w x h)	Actual Glass (w x h)
210	30 ¹ / ₄ × 13 ³ / ₈	26 ¹ / ₂ × 9 ¹ / ₂	27 ¹ / ₄ × 10 ¹ / ₄
214	30 ¹ / ₄ × 17 ³ / ₈	26 ¹ / ₂ × 13 ¹ / ₂	27 ¹ / ₄ × 14 ¹ / ₄
218	30 ¹ / ₄ × 21 ³ / ₈	26 ¹ / ₂ × 17 ¹ / ₂	27 ¹ / ₄ × 18 ¹ / ₄
222	30 ¹ / ₄ × 25 ³ / ₈	26 ¹ / ₂ × 21 ¹ / ₂	27 ¹ / ₄ × 22 ¹ / ₄
230	30 ¹ / ₄ × 33 ³ / ₈	26 ¹ / ₂ × 29 ¹ / ₂	27 ¹ / ₄ × 30 ¹ / ₄
314	39 ⁵ / ₈ × 17 ³ / ₈	35 ³ / ₄ × 13 ¹ / ₂	36 ⁵ / ₈ × 14 ¹ / ₄
318	39 ⁵ / ₈ × 21 ³ / ₈	35 ³ / ₄ × 17 ¹ / ₂	36 ⁵ / ₈ × 18 ¹ / ₄
322	39 ⁵ / ₈ × 25 ³ / ₈	35 ³ / ₄ × 21 ¹ / ₂	36 ⁵ / ₈ × 22 ¹ / ₄
330	39 ⁵ / ₈ × 33 ³ / ₈	35 ³ / ₄ × 29 ¹ / ₂	36 ⁵ / ₈ × 30 ¹ / ₄
349	39 ⁵ / ₈ × 52 ³ / ₈	35 ³ / ₄ × 48 ¹ / ₂	36 ⁵ / ₈ × 49 ¹ / ₄
3810	42 ⁵ / ₈ × 13 ³ / ₈	39 ¹ / ₈ × 9 ³ / ₄	39 ⁵ / ₈ × 10 ¹ / ₄
3814	42 ⁵ / ₈ × 17 ³ / ₈	39 ¹ / ₈ × 13	39 ⁵ / ₈ × 14 ¹ / ₄
3818	42 ⁵ / ₈ × 21 ³ / ₈	39 ¹ / ₈ × 17	39 ⁵ / ₈ × 18 ¹ / ₄
3822	42 ⁵ / ₈ × 25 ³ / ₈	38 ⁷ / ₈ × 21 ¹ / ₂	39 ⁵ / ₈ × 22 ¹ / ₄
3830	42 ⁵ / ₈ × 33 ³ / ₈	38 ⁷ / ₈ × 29 ¹ / ₂	39 ⁵ / ₈ × 30 ¹ / ₄
3849	42 ⁵ / ₈ × 52 ³ / ₈	38 ⁷ / ₈ × 48 ¹ / ₂	39 ⁵ / ₈ × 49 ¹ / ₄
414	47 ⁵ / ₈ × 17 ³ / ₈	43 ³ / ₄ × 13 ¹ / ₂	44 ⁵ / ₈ × 14 ¹ / ₄
418	47 ⁵ / ₈ × 21 ³ / ₈	43 ³ / ₄ × 17 ¹ / ₂	44 ⁵ / ₈ × 18 ¹ / ₄
422	47 ⁵ / ₈ × 25 ³ / ₈	43 ³ / ₄ × 21 ¹ / ₂	44 ⁵ / ₈ × 22 ¹ / ₄
430	47 ⁵ / ₈ × 33 ³ / ₈	43 ³ / ₄ × 29 ¹ / ₂	44 ⁵ / ₈ × 30 ¹ / ₄
449	47 ⁵ / ₈ × 52 ³ / ₈	43 ³ / ₄ × 48 ¹ / ₂	44 ⁵ / ₈ × 49 ¹ / ₄

Sash Assembly


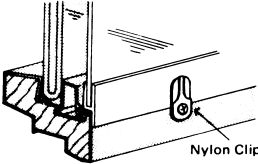


Flexivent Window Sash and Frame Assembly

Sash

Weatherstrip		
Weatherstrip - Side Jamb		
	Unit No.	Order No.
	10	0355208
	14	0355212
	18	0355216
	22	0355220
	30/40	0355222
	49	0355224
Weatherstrip - Hinge Jamb		
	Unit No.	Order No.
	2	0354608
	3	N/A
	38	0354616
	4	0354620
Weatherstrip - Lock Rail		
	Unit No.	Order No.
	2	0354008
	3	0354012
	38	0354016
	4	0354020

Removable Glazing Panel Parts

Removable Glazing Panel Parts		
Buttons and Screws - Removable Glazing Panel		
<p>REPLACEMENT GLAZING PANEL RETAINER CLIP</p>  <p>Truss Hd. Screw, Nylon Clip</p>  <p>Nylon Clip</p>	<p>Note: Clips (8), screws (8).</p>	<p>Order No. 0338408</p>

Insect Screens

Insect Screens - Type U

Note:

Type U insect screens are used with Roto-Lock (see [page 11](#)) and Lever Roto-Lock operator (see [page 12](#)) style units. Screens wider than 41 7/8 use two wing blades.

Insect Screen - Type U

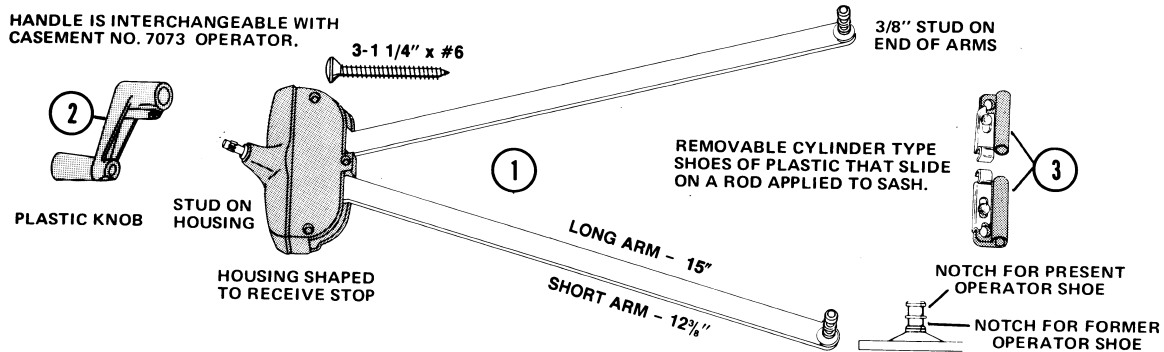
Unit No.	Dimensions (w x h)	Wing Blades	Stone	Unit No.	Dimensions (w x h)	Wing Blades	Stone
210	29 1/2 x 12 1/16	1	8071101	3814	41 7/8 x 16 1/16	1	8071105
214	29 1/2 x 16 1/16		0325712	3818	41 7/8 x 20 1/16		8071106
218	29 1/2 x 20 1/16		0325716	3822	41 7/8 x 24 1/16		8071107
222	29 1/2 x 24 1/16		0325720	3830	41 7/8 x 32 1/16		8071108
230	29 7/8 x 32 1/16		8071102	414	46 7/8 x 16 1/16	2	0325760
314	38 7/8 x 16 1/16		0325724	418	46 7/8 x 20 1/16		0325764
318	38 7/8 x 20 1/16		0325728	422	46 7/8 x 24 1/16		0325768
322	38 7/8 x 24 1/16		0325732	430	46 7/8 x 32 1/16		8077109
330	38 7/8 x 32 1/16		8071103				
3810	41 7/8 x 12 1/16		8071104				

Hardware

Operator - Amerock / Roto-Lock (1959 - 1981)

Note:

The short arm handle is standard. The long arm handle is used if a special stool has been applied to the sill and additional clearance is needed for the handle.



Manufactured June 1959 to October 1981

Amerock Roto-Lock Hardware

Operator Set - Amerock / Roto-Lock (June 1959 to October 1981)

Note:

Operator set includes operator, handle, sash rod, and sash brackets (sash rod not pictured). 2 and 3 widths use short arm, 38 and 4 widths use long arm. Sizes shown in size grid, see [page 4](#).

Description	Bronze
Short Arm	0333808
Long Arm	0333908

Handle - Amerock / Roto-Lock (June 1959 to October 1981) Ref. No. 2

Note:

Long arm handle is used if a special stool has been applied to the sill and extra clearance is needed for the handle.

Description	Finish	Order No.
Short Shank	Bronze	0536011
	Silver Satin	1361008
Long Shank	Bronze	0532308

Rod - Amerock / Roto-Lock (June 1959 to October 1981)

Note:

To replace, order complete operator set which includes rod.

Length	Order No.
13 1/2	N/A
18 1/2	N/A

Bracket - Amerock / Roto-Lock / Center Rod (June 1959 to October 1981)

Note:

Not shown in picture on [page 11](#). Holds sash rods in place at middle of sash.

Order No.
0334205

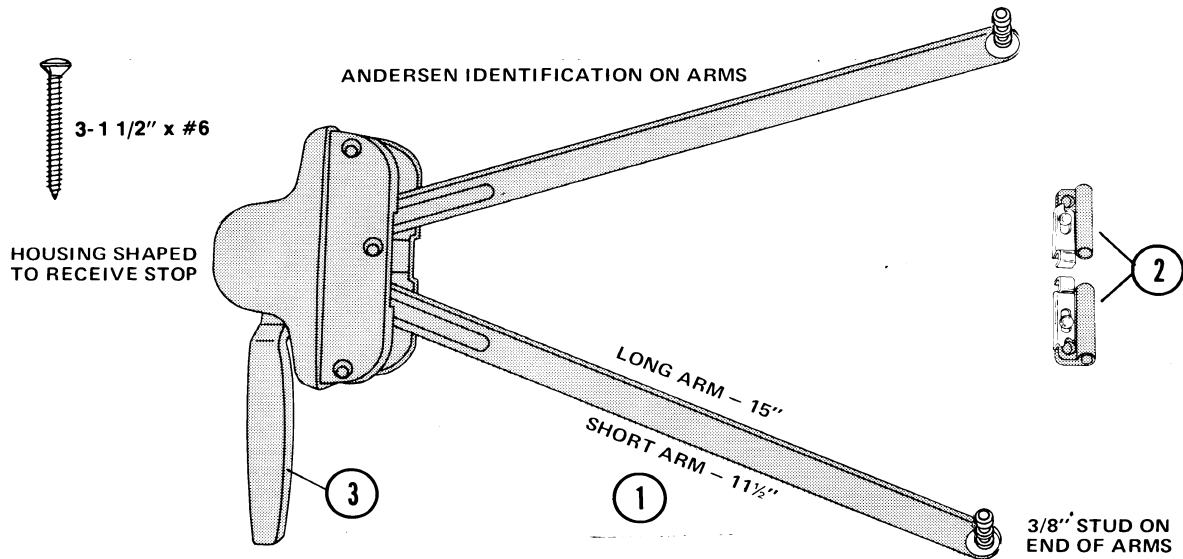
Shoe - Amerock / Roto-Lock (Pair) (June 1959 to October 1981) Ref. No. 3

Bronze
0338908

Hardware

Operator - Amerock / Lever Roto-Lock (1968 - 1972)

Note:
No longer available. Use Amerock Roto-Lock Hardware (1959 to 1981) for replacement.
[See Illustration, page 11](#)
Specify long arm (15") or short arm (11").

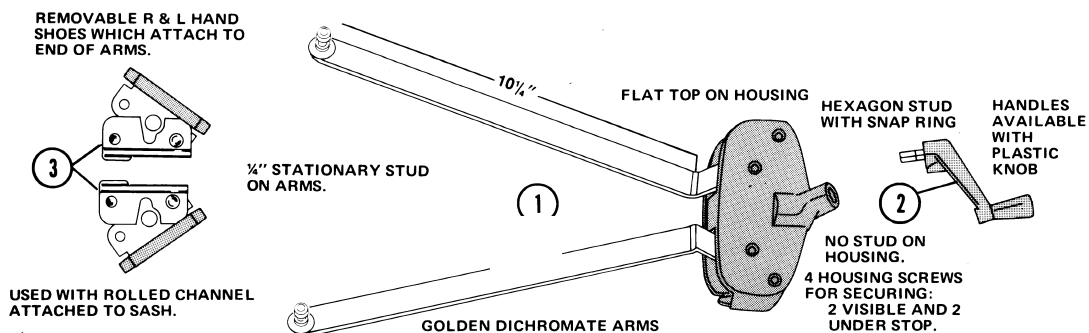


Manufactured 1968 to 1972

Amerock Roto-Lock Hardware

Operator - Amerock / Roto-Lock (1955 - 1959)

Note:
This hardware is no longer available. Use Amerock hardware June 1959 to October 1981 for replacement.
[See Illustration, page 11](#)



Manufactured July 1955 to June 1959

Amerock Hardware

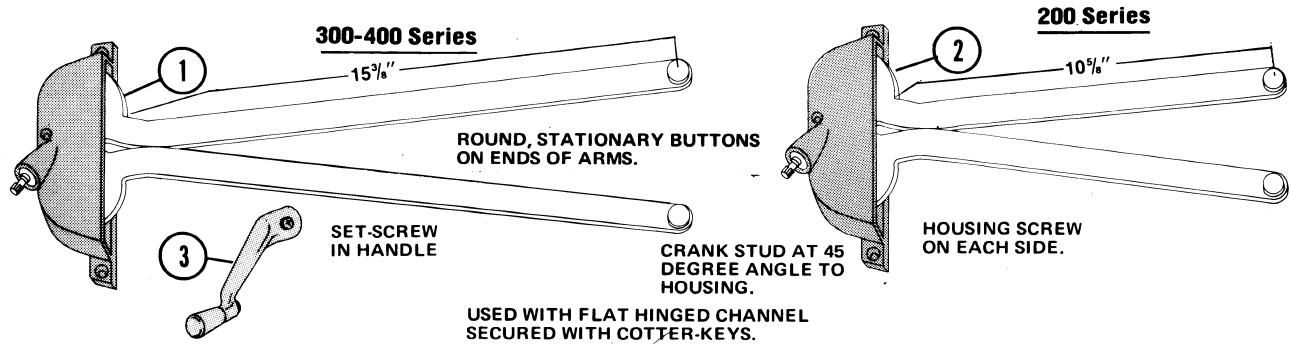
Operator - Standard Thomson / Roto-Lock (1954 - 1955)

Note:

This operator is no longer available. Use Amerock hardware June 1959 to October 1981 for replacement.

[See Illustration, page 11](#)

When replacing Standard Thomson hardware with Amerock hardware attaching hardware is required. Sill stop may need to be modified.

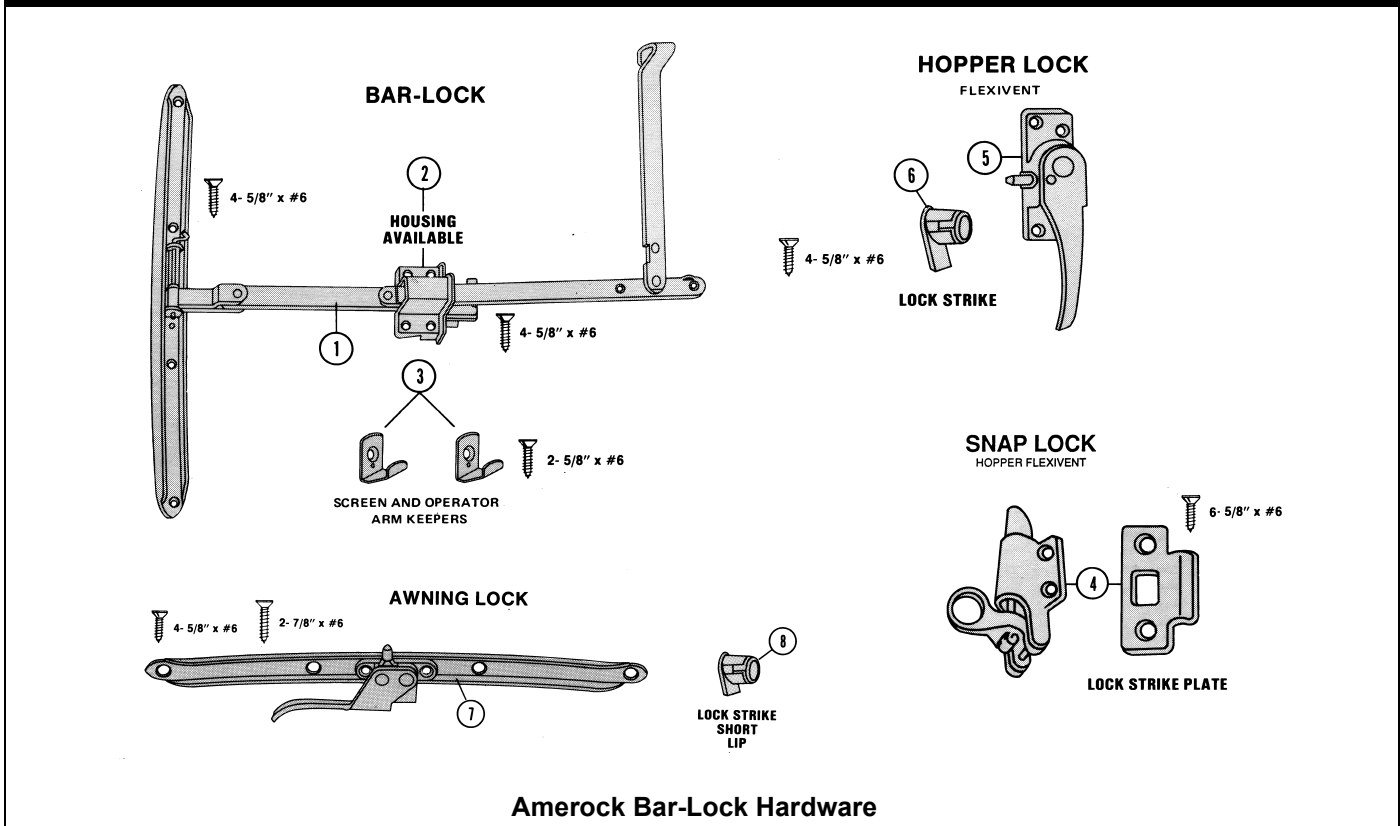


Manufactured March 1954 to July 1955

Roto-Lock Standard Thomson Operator

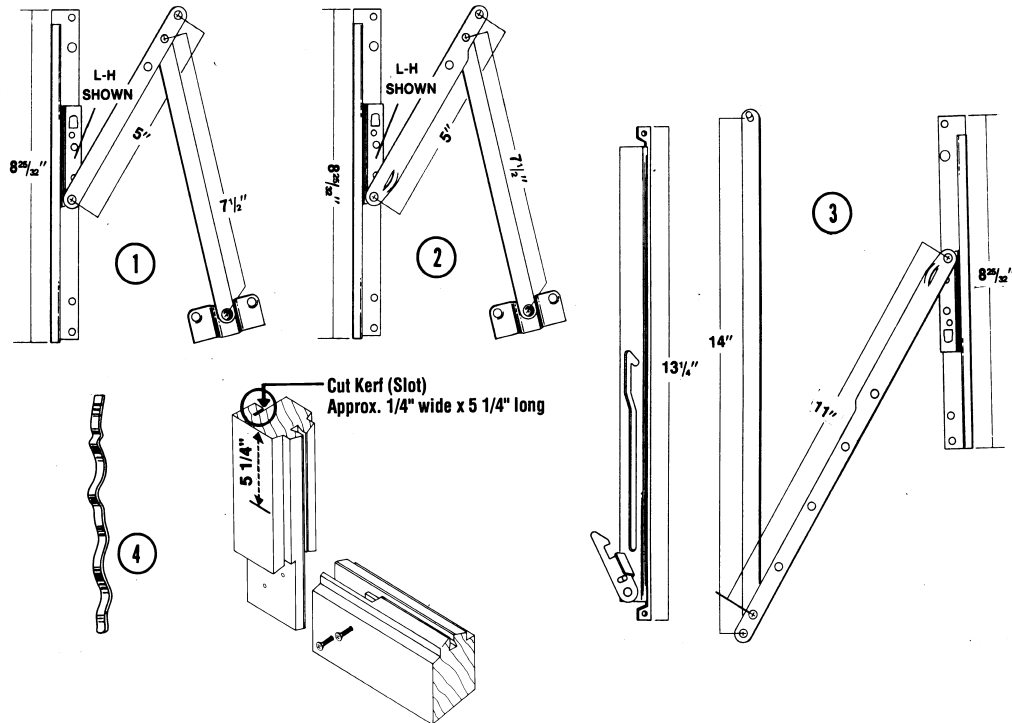
Hardware

Operator - Bar-Lock / Hopper Lock / Snap Lock / Awning Lock (1954 - 1979)



Operator - Amerock / Bar-Lock / No. 7062 Ref. No. 1 and 2		Bronze
	Note: Includes housing, clips, and screws.	0336206
Insect Screen and Operator Arm Keepers - Amerock / Bar-Lock Ref. No. 3		Order No.
		N/A
Hopper Sash Lock with Screws Ref. No. 5		Bronze
		N/A
Hopper Lock Strike - Amerock / Bar-Lock / Long Lip Ref. No. 6		Order No.
		N/A
Awning Lock - Amerock / Bar-Lock Ref. No. 7		Bronze
		N/A
Snap Lock - Amerock / Bar-Lock Ref. No. 4		Order No.
		N/A

Hinge Hardware (1952 to 1979)



Manufactured 1952 to 1979

Flexivent Hinge Hardware

Adjuster Arm Set with Screws (1954 to 1979) Ref. No. 2

Note: No longer available as of 1/1/09.	Adjuster No.	Glass Height	Length of Lower Leg (Rivet to Rivet)	Order No.
	10A	10	3	N/A
	14B	14 and 16	7 1/2	
	18C	18 and 20	9 1/2	
	22D	22 and 24	11 1/2	
30E	30	13		

Hinge Set with Screws - Egress (1954 to 1979) Ref. No. 3

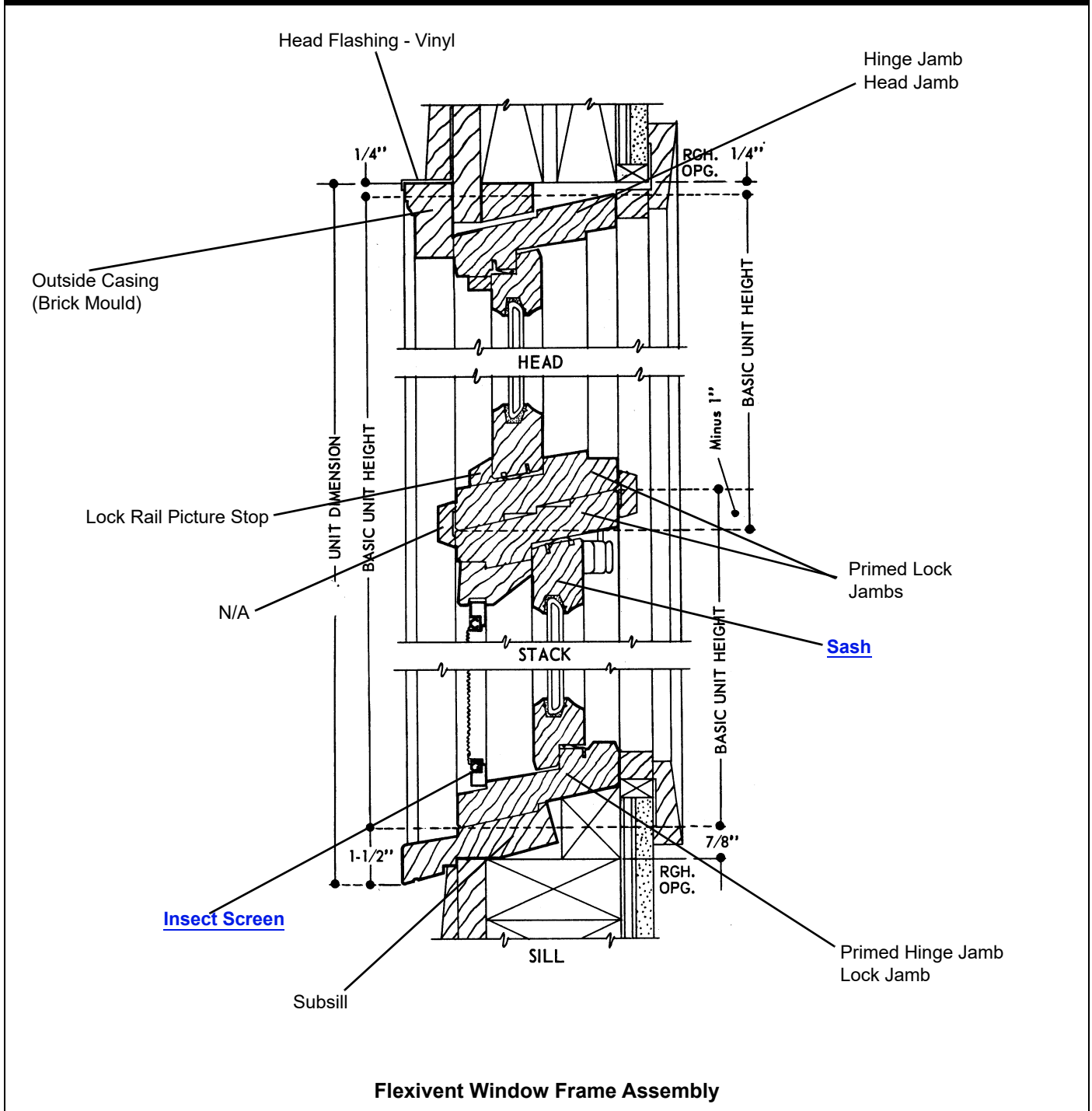
	Order No.
	N/A

Adjuster Arm Friction Spring (1954 to 1979) Ref. No. 4

	Order No.
	N/A

Frames

Frame Assembly



Flexivent Windows (1952 to 1979)

Standard Windows

Frames

Stops		
Stop - Standard Window / Awning Lock		
Note: No longer available as of 1/1/09.	Unit No.	Order No.
	A2	N/A
	A3	
	A38	
A4		
Stop - Standard Window / Roto / Lever Lock		
	Unit No.	Order No.
	R2	N/A
	R3	
	R38	
R4		
Stop - Picture Window / Lock / Rail		
Note: No longer available as of 1/1/09.	Unit No.	Order No.
	3	N/A
4		
Stop - Picture Window / Sash		
Note: No longer available as of 1/1/09.	Unit No.	Order No.
	49	N/A

Notes
