

What's in This Section

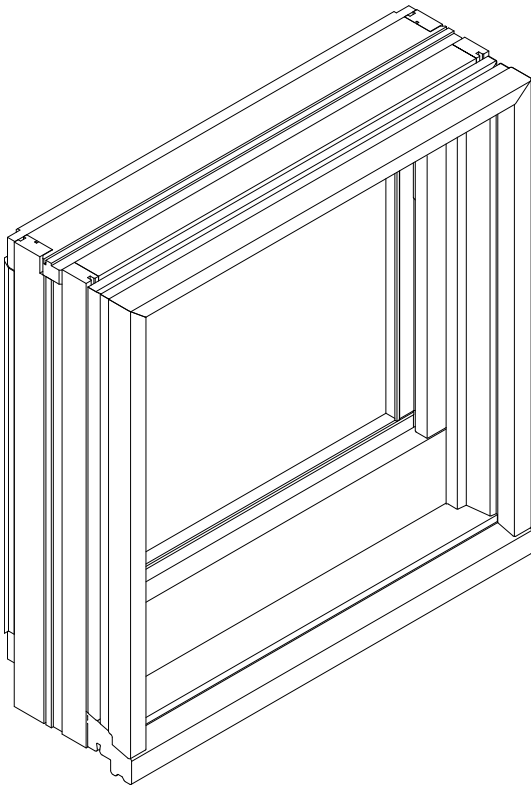
Picture & Transom Windows	Page 3
Parts Illustration	3
Unit Sizes	4
Standard and Custom Window Sizes	4
400 Series Product Label	4
Unit Size Chart - Picture Windows	5
Unit Size Chart - Transom Windows (18-310 widths)	6
Unit Size Chart - Transom Windows (42-62 widths)	7
Product History	8
Milestones	8
Glass	9
Glass Size Table	9
Grilles	11
Interior Grilles - Removable	11
Frames	12
Frames - Picture and Transom Windows	12
Stops	12
Filler	13
Joining Components	14
Transom Joining Kits	14

400 Series Woodwright® Picture and Transom Windows (2002 to Present)

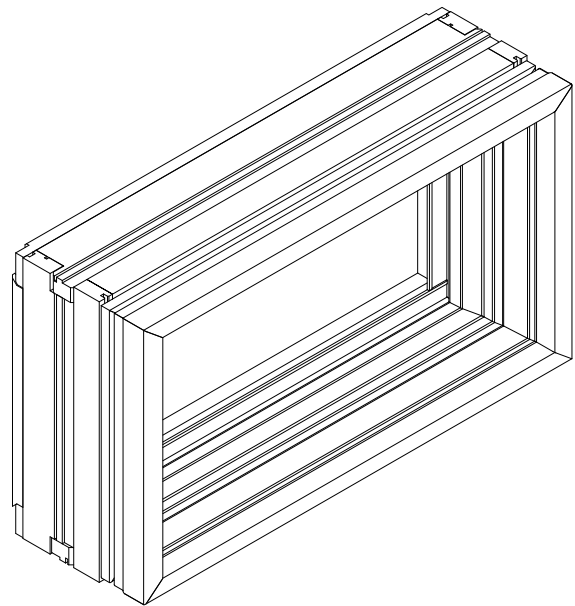
Picture & Transom Windows

Parts Illustration

Parts Illustration



Picture Window



Transom Window

Manufactured 2002 to Present

Woodwright® Picture and Transom Unit Parts

Unit viewed from exterior.

Unit Sizes

Standard and Custom Window Sizes

Note:

Woodwright Windows are available in standard sizes (see standard size charts, [page 4](#)). Replacement parts for some standard windows can be ordered using the numbers listed in this catalog. Many replacement parts for standard windows are made to order. These items are ordered using the Product ID found on the identification label and a description of the part needed. See [Service Guide 9051877](#).

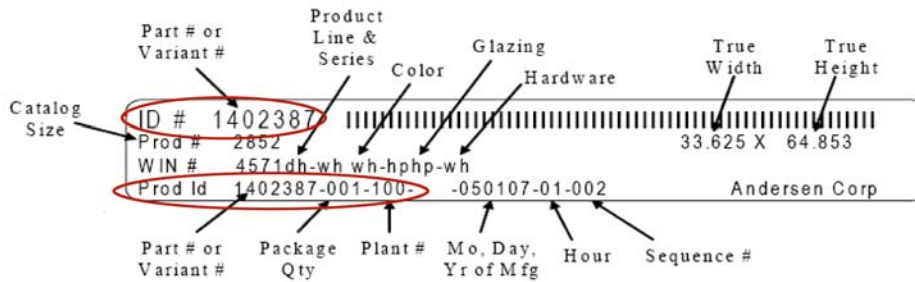
Woodwright Windows are also available in custom sizes in 1/8" increments between the smallest and the largest standard sizes. Most replacement parts for custom-sized windows are made to order and can be ordered with the Product ID found on the identification label and a description of the part needed. See [Service Guide 9051877](#).

400 Series Product Label

Note:

Every Woodwright Window will have an identification label or glass etching containing a unique Product ID. The Product ID on Woodwright Windows will be located at the top of the window frame or etched into the glass. See [Service Guide 9051877](#). The Product ID may be up to 14 digits long (excluding hyphens), depending on the age of the unit. Replacement parts will also get their own unique Product ID. When ordering replacement parts, providing the Product ID ensures that replacement parts match the specifications.

Pre-2009 Label



2009 to Present



P Number



PXXXXXXXX
DCA, LSC
16 CFR 1201 CM

CCC-Y JAN87 1984
S66C XXXX U XXXX Q-YR

Quarter and Year of Manufacture

400 Series Woodwright® Picture and Transom Windows (2002 to Present)

Picture & Transom Windows

Unit Sizes

Unit Size Chart - Picture Windows

Note:

Unit Dimension refers to overall outside-to-outside frame. Unobstructed Glass refers to visible glass dimensions.

Dimensions in parentheses are in millimeters.

See [Measuring Visible Glass Video](#).

Custom sizing between the smallest and largest width – in 1/8" increments.

Unit Dimension	1'-0"	3'-1 5/8"	3'-5 5/8"	3'-11 5/16"	4'-3 5/16"	4'-11 5/16"	5'-7 5/16"
Rough Opening	1'-0 1/2"	3'-2 1/8"	3'-6 1/8"	3'-11 7/8"	4'-3 7/8"	4'-11 7/8"	5'-7 7/8"
Unobstructed Glass	6"	31 5/8"	35 5/8"	41 1/4"	45 1/4"	53 1/4"	61 1/4"
	(152)	(803)	(905)	(1048)	(1149)	(1353)	(1556)
4'-0 7/8" (1241)	WPW10310	WPW30310	WPW34310	WPW310310	WPW42310	WPW410310	WPW56310
4'-4 7/8" (1343)	WPW1042	WPW3042	WPW3442	WPW31042	WPW4242	WPW41042	WPW5642
4'-8 7/8" (1445)	WPW1046	WPW3046	WPW3446	WPW31046	WPW4246	WPW41046	WPW5646
5'-0 7/8" (1547)	WPW10410	WPW30410	WPW34410	WPW310410	WPW42410	WPW410410	WPW56410
5'-4 7/8" (1648)	WPW1052	WPW3052	WPW3452	WPW31052	WPW4252	WPW41052	WPW5652
5'-8 7/8" (1749)	WPW1056	WPW3056	WPW3456	WPW31056	WPW4256	WPW41056	WPW5656
6'-0 7/8" (1851)	WPW10510	WPW30510	WPW34510	WPW310510	WPW42510	WPW410510	WPW56510
6'-4 7/8" (1953)	WPW1062	WPW3062	WPW3462	WPW31062	WPW4262	WPW41062	WPW5662

Woodwright® Picture Unit Sizes

Unit viewed from exterior.

Unit Sizes

Unit Size Chart - Transom Windows (18-310 widths)

Note:

Unit Dimension refers to overall outside-to-outside frame. Unobstructed Glass refers to visible glass dimensions.

Dimensions in parentheses are in millimeters.

See [Measuring Visible Glass Video](#).

Window Dimension	1'-9 5/8" (549)	2'-1 5/8" (651)	2'-5 5/8" (752)	2'-7 5/8" (803)	2'-9 5/8" (854)	2'-11 5/8" (905)	3'-1 5/8" (956)	3'-5 5/8" (1057)	3'-9 5/8" (1159)	3'-11 5/16" (1202)
Minimum Rough Opening	1'-10 1/8" (562)	2'-2 1/8" (664)	2'-6 1/8" (765)	2'-8 1/8" (816)	2'-10 1/8" (867)	3'-0 1/8" (917)	3'-2 1/8" (968)	3'-6 1/8" (1070)	3'-10 1/8" (1172)	3'-11 7/8" (1215)
Unobstructed Glass	15 5/8" (397)	19 5/8" (498)	23 5/8" (600)	25 5/8" (651)	27 5/8" (702)	29 5/8" (752)	31 5/8" (803)	35 5/8" (905)	39 5/8" (1006)	41 1/4" (1048)

CUSTOM WIDTHS — 1' to 6'-3 5/16"

<p>CUSTOM HEIGHTS — 1' to 3'-3 5/16"</p> <p>1'-0" (305) 1'-7 5/16" (491) 1'-9 5/16" (541) 1'-15 5/16" (643) 2'-1 5/16" (694) 2'-5 5/16" (745) 2'-9 5/16" (846) 3'-3 5/16" (999)</p> <p>1'-0 1/2" (318) 1'-7 7/8" (504) 1'-9 7/8" (555) 2'-1 7/8" (657) 2'-3 7/8" (707) 2'-5 7/8" (758) 2'-9 7/8" (860) 3'-3 7/8" (1012)</p> <p>6 13/16" (173) 14 1/8" (359) 16 1/8" (410) 20 1/8" (511) 22 1/8" (562) 24 1/8" (613) 28 1/8" (714) 34 1/8" (867)</p>	WTR1810	WTR2010	WTR2410	WTR2610	WTR2810	WTR21010	WTR3010	WTR3410	WTR3810	WTR31010
	WTR1815	WTR2015	WTR2415	WTR2615	WTR2815	WTR21015	WTR3015	WTR3415	WTR3815	WTR31015
	WTR1817	WTR2017	WTR2417	WTR2617	WTR2817	WTR21017	WTR3017	WTR3417	WTR3817	WTR31017
	WTR18111	WTR20111	WTR24111	WTR26111	WTR28111	WTR210111	WTR30111	WTR34111	WTR38111	WTR310111
	WTR1821	WTR2021	WTR2421	WTR2621	WTR2821	WTR21021	WTR3021	WTR3421	WTR3821	WTR31021
	WTR1823	WTR2023	WTR2423	WTR2623	WTR2823	WTR21023	WTR3023	WTR3423	WTR3823	WTR31023
	WTR1827	WTR2027	WTR2427	WTR2627	WTR2827	WTR21027	WTR3027	WTR3427	WTR3827	WTR31027
	WTR1831	WTR2031	WTR2431	WTR2631	WTR2831	WTR21031	WTR3031	WTR3431	WTR3831	WTR31031

Woodwright® Transom Unit Sizes

Unit viewed from exterior.

400 Series Woodwright® Picture and Transom Windows (2002 to Present)

Picture & Transom Windows

Unit Sizes

Unit Size Chart - Transom Windows (42-62 widths)

Note:

Unit Dimension refers to overall outside-to-outside frame. Unobstructed Glass refers to visible glass dimensions.
Dimensions in parentheses are in millimeters.

See [Measuring Visible Glass Video](#).

Window Dimension	4'-3 ⁵ / ₁₆ " (1303)	4'-11 ⁵ / ₁₆ " (1506)	5'-7 ⁵ / ₁₆ " (1710)	6'-3 ⁵ / ₁₆ " (1913)
Minimum Rough Opening	4'-3 ⁷ / ₈ " (1317)	4'-11 ⁷ / ₈ " (1520)	5'-7 ⁷ / ₈ " (1724)	6'-3 ⁷ / ₈ " (1927)
Unobstructed Glass	45 1/4" (1149)	53 1/4" (1353)	61 1/4" (1556)	69 1/4" (1745)



Custom-size windows are available in 1/8" (3) increments.

1'-0" (305)				
1'-7 ⁵ / ₁₆ " (491)				
1'-9 ⁵ / ₁₆ " (541)				
1'-9 ⁷ / ₈ " (555)				
1'-1 ⁵ / ₁₆ " (643)				
1'-1 ⁷ / ₈ " (657)				
2'-1 ⁵ / ₁₆ " (694)				
2'-1 ⁷ / ₈ " (707)				
2'-3 ⁵ / ₁₆ " (745)				
2'-3 ⁷ / ₈ " (758)				
2'-5 ⁵ / ₁₆ " (846)				
2'-5 ⁷ / ₈ " (860)				
2'-9 ⁵ / ₁₆ " (999)				
2'-9 ⁷ / ₈ " (1012)				
3'-3 ⁵ / ₁₆ " (1012)				
3'-3 ⁷ / ₈ " (1012)				
3'-1 ⁵ / ₈ " (867)				

Woodwright® Transom Unit Sizes

Unit viewed from exterior.

Product History

Milestones

- | | |
|-------------|--|
| 2007 | Factory-applied 6 9/16" extension jambs introduced |
| 2002 | Woodwright Picture & Transom Window unit introduced. |

400 Series Woodwright® Picture and Transom Windows (2002 to Present)

Picture & Transom Windows

Glass

Glass Size Table

To order, state:

1. Description of Part (Glass)
2. Quantity
3. Product ID (from product label, see [Service Guide 9051877](#))
4. Options Desired (if different than original product)

Glass Size Table - Picture Windows

Unit No.	Unobstructed Glass (w x h)	Unit No.	Unobstructed Glass (w x h)
WPW10310	6 x 41 1/8	WPW31052	41 1/4 x 57 1/8
WPW1042	6 x 45 1/8	WPW31056	41 1/4 x 61 1/8
WPW1046	6 x 49 1/8	WPW310510	41 1/4 x 65 1/8
WPW10410	6 x 53 1/8	WPW31062	41 1/4 x 69 1/8
WPW1052	6 x 57 1/8	WPW42310	45 1/4 x 41 1/8
WPW1056	6 x 61 1/8	WPW4242	45 1/4 x 45 1/8
WPW10510	6 x 65 1/8	WPW4246	45 1/4 x 49 1/8
WPW1062	6 x 69 1/8	WPW42410	45 1/4 x 53 1/8
WPW30310	31 5/8 x 41 1/8	WPW4252	45 1/4 x 57 1/8
WPW3042	31 5/8 x 45 1/8	WPW4256	45 1/4 x 61 1/8
WPW3046	31 5/8 x 49 1/8	WPW42510	45 1/4 x 65 1/8
WPW30410	31 5/8 x 53 1/8	WPW4262	45 1/4 x 69 1/8
WPW3052	31 5/8 x 57 1/8	WPW410310	53 1/4 x 41 1/8
WPW3056	31 5/8 x 61 1/8	WPW41042	53 1/4 x 45 1/8
WPW30510	31 5/8 x 65 1/8	WPW41046	53 1/4 x 49 1/8
WPW3062	31 5/8 x 69 1/8	WPW410410	53 1/4 x 53 1/8
WPW34310	35 5/8 x 41 1/8	WPW41052	53 1/4 x 57 1/8
WPW3442	35 5/8 x 45 1/8	WPW41056	53 1/4 x 61 1/8
WPW3446	35 5/8 x 49 1/8	WPW410510	53 1/4 x 65 1/8
WPW34410	35 5/8 x 53 1/8	WPW41062	53 1/4 x 69 1/8
WPW3452	35 5/8 x 57 1/8	WPW56310	61 1/4 x 41 1/8
WPW3456	35 5/8 x 61 1/8	WPW5642	61 1/4 x 45 1/8
WPW34510	35 5/8 x 65 1/8	WPW5646	61 1/4 x 49 1/8
WPW3462	35 5/8 x 69 1/8	WPW56410	61 1/4 x 53 1/8
WPW310310	41 1/4 x 41 1/8	WPW5652	61 1/4 x 57 1/8
WPW31042	41 1/4 x 45 1/8	WPW5656	61 1/4 x 61 1/8
WPW31046	41 1/4 x 49 1/8	WPW56510	61 1/4 x 65 1/8
WPW310410	41 1/4 x 53 1/8	WPW5662	61 1/4 x 69 1/8

Glass

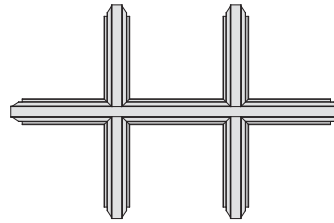
Glass Size Table - Transom Windows			
Unit No.	Unobstructed Glass (w x h)	Unit No.	Unobstructed Glass (w x h)
WTR1810	15 ⁵ / ₈ x 6 ³ / ₁₆	WTR2831	27 ⁵ / ₈ x 32 ¹ / ₈
WTR1815	15 ⁵ / ₈ x 14 ¹ / ₈	WTR3010	31 ⁵ / ₈ x 6 ³ / ₁₆
WTR1817	15 ⁵ / ₈ x 16 ¹ / ₈	WTR3015	31 ⁵ / ₈ x 14 ¹ / ₈
WTR18111	15 ⁵ / ₈ x 20 ¹ / ₈	WTR3017	31 ⁵ / ₈ x 16 ¹ / ₈
WTR1821	15 ⁵ / ₈ x 22 ¹ / ₈	WTR30111	31 ⁵ / ₈ x 20 ¹ / ₈
WTR1823	15 ⁵ / ₈ x 24 ¹ / ₈	WTR3021	31 ⁵ / ₈ x 22 ¹ / ₈
WTR1827	15 ⁵ / ₈ x 28 ¹ / ₈	WTR3023	31 ⁵ / ₈ x 24 ¹ / ₈
WTR1831	15 ⁵ / ₈ x 32 ¹ / ₈	WTR3027	31 ⁵ / ₈ x 28 ¹ / ₈
WTR2010	19 ⁵ / ₈ x 6 ³ / ₁₆	WTR3031	31 ⁵ / ₈ x 32 ¹ / ₈
WTR2015	19 ⁵ / ₈ x 14 ¹ / ₈	WTR3410	35 ⁵ / ₈ x 6 ³ / ₁₆
WTR2017	19 ⁵ / ₈ x 16 ¹ / ₈	WTR3415	35 ⁵ / ₈ x 14 ¹ / ₈
WTR20111	19 ⁵ / ₈ x 20 ¹ / ₈	WTR3417	35 ⁵ / ₈ x 16 ¹ / ₈
WTR2021	19 ⁵ / ₈ x 22 ¹ / ₈	WTR34111	35 ⁵ / ₈ x 20 ¹ / ₈
WTR2023	19 ⁵ / ₈ x 24 ¹ / ₈	WTR3421	35 ⁵ / ₈ x 22 ¹ / ₈
WTR2027	19 ⁵ / ₈ x 28 ¹ / ₈	WTR3423	35 ⁵ / ₈ x 24 ¹ / ₈
WTR2031	19 ⁵ / ₈ x 32 ¹ / ₈	WTR3427	35 ⁵ / ₈ x 28 ¹ / ₈
WTR2410	23 ⁵ / ₈ x 6 ³ / ₁₆	WTR3431	35 ⁵ / ₈ x 32 ¹ / ₈
WTR2415	23 ⁵ / ₈ x 14 ¹ / ₈	WTR3810	39 ⁵ / ₈ x 6 ³ / ₁₆
WTR2417	23 ⁵ / ₈ x 16 ¹ / ₈	WTR3815	39 ⁵ / ₈ x 14 ¹ / ₈
WTR24111	23 ⁵ / ₈ x 20 ¹ / ₈	WTR3817	39 ⁵ / ₈ x 16 ¹ / ₈
WTR2421	23 ⁵ / ₈ x 22 ¹ / ₈	WTR38111	39 ⁵ / ₈ x 20 ¹ / ₈
WTR2423	23 ⁵ / ₈ x 24 ¹ / ₈	WTR3821	39 ⁵ / ₈ x 22 ¹ / ₈
WTR2427	23 ⁵ / ₈ x 28 ¹ / ₈	WTR3823	39 ⁵ / ₈ x 24 ¹ / ₈
WTR2431	23 ⁵ / ₈ x 32 ¹ / ₈	WTR3827	39 ⁵ / ₈ x 28 ¹ / ₈
WTR2810	27 ⁵ / ₈ x 6 ³ / ₁₆	WTR3831	39 ⁵ / ₈ x 32 ¹ / ₈
WTR2815	27 ⁵ / ₈ x 14 ¹ / ₈	WTR31010	41 ¹ / ₄ x 6 ³ / ₁₆
WTR2817	27 ⁵ / ₈ x 16 ¹ / ₈	WTR4210	45 ¹ / ₄ x 6 ³ / ₁₆
WTR28111	27 ⁵ / ₈ x 20 ¹ / ₈	WTR41010	53 ¹ / ₄ x 6 ³ / ₁₆
WTR2821	27 ⁵ / ₈ x 22 ¹ / ₈	WTR5610	61 ¹ / ₄ x 6 ³ / ₁₆
WTR2823	27 ⁵ / ₈ x 24 ¹ / ₈	WTR6210	69 ¹ / ₄ x 6 ³ / ₁₆
WTR2827	27 ⁵ / ₈ x 28 ¹ / ₈		

400 Series Woodwright® Picture and Transom Windows (2002 to Present)

Picture & Transom Windows

Grilles

Interior Grilles - Removable



Interior Grille - Picture and Transom Window / Removable

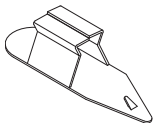
Note:

Removable interior grilles are made to order. Grilles include fasteners.

To order state:

1. Description of Part (Removable Interior Grilles)
2. Quantity
3. Product ID (from product label, see [page 4](#))

Grille Clip (2004 to Present)

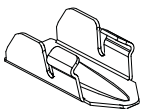


Note:

Includes one clip. Clip affixes to sash.

Finish	Order No.
White	0174951
Terratone®	0174952
Sandtone	0174953
Forest Green	0174955
Canvas	0174954
Dark Bronze	9020288

Grille Clip Kit (Prior to 2004)



Kit includes:

(12) Clips

Finish	Order No.
White	0873284
Terratone®	N/A
Sandtone	0873285
Forest Green	N/A

Frames

Frames - Picture and Transom Windows

Note:

See latest [Product Details](#).

Frame - Picture and Transom Window

Note:

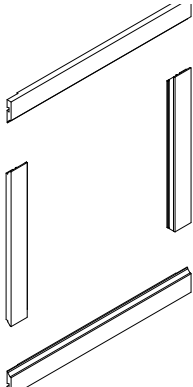
Frames are made to order.

To order state:

1. **Description of Part (Complete Frame)**
2. **Quantity**
3. **Product ID (from product label, see [page 4](#))**

Stops

Glass Stop Kit - Picture and Transom Window / Side



Note:

Side glass stops are made to order. Available in kit only.

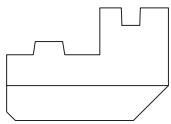
Kit includes:

Head, sill, right hand and left hand glass stops. Does not include glass clips for stop attachment.

To order state:

1. **Description of Part (Side Glass Stop Kit)**
2. **Quantity**
3. **Product ID (from product label, see [page 4](#))**

Inside Stop Kit - Picture and Transom Window



Note:

Inside stops are made to order. Available in kit only.

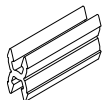
Kit includes:

Head, sill, right hand and left hand inside stops.

To order state:

1. **Description of Part (Inside Stop Kit)**
2. **Quantity**
3. **Product ID (from product label, see [page 4](#))**

Glass Clip



Note:

Placed 6" from each end and spaced 8" apart.

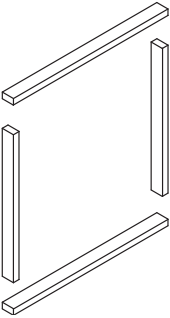
Order No.

0102080

400 Series Woodwright® Picture and Transom Windows (2002 to Present)

Picture & Transom Windows

Frames

Filler				
Filler - Head and Sill				
	<p>Note: Head and sill filler kit. Filler kits are made to order.</p> <p>Kit includes: Head, sill, right-hand and left-hand fillers.</p> <p><i>To order state:</i></p> <ol style="list-style-type: none"> Description of Part (Filler Kit) Quantity Product ID (from product label, see page 4) 	Length	Finish	Oak
		75	Prefinished White	0102722
			Pine	0102712
			Maple	0102724
		Oak	0102723	

Joining Components

Transom Joining Kits

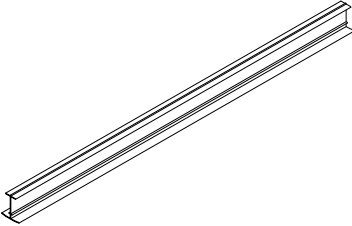
Transom Joining Kit

Kit includes:

- (6) Transom outside mull trim
- (6) Accessory packages (0102619)

Each accessory package includes:

- Instruction sheet,
- (2) Gusset plates
- (4) Narrow mull joining clips
- (4) Narrow mull spacers
- (16) Screws - PH FL STL 2 -Y - D #8 - 10 x 1 3/8" TYP PLS 2
- (8) Screws - SS7 - 8 x 1/2" PH pan head.

	Length	White	Terratone®	Sandtone	Forest Green	Canvas	Dark Bronze
	48	0102597	0102602	0102599	0102604	9076727	9076959
	84	0102598	0102603	0102601	0102605	9076728	9076960