

What's in This Section

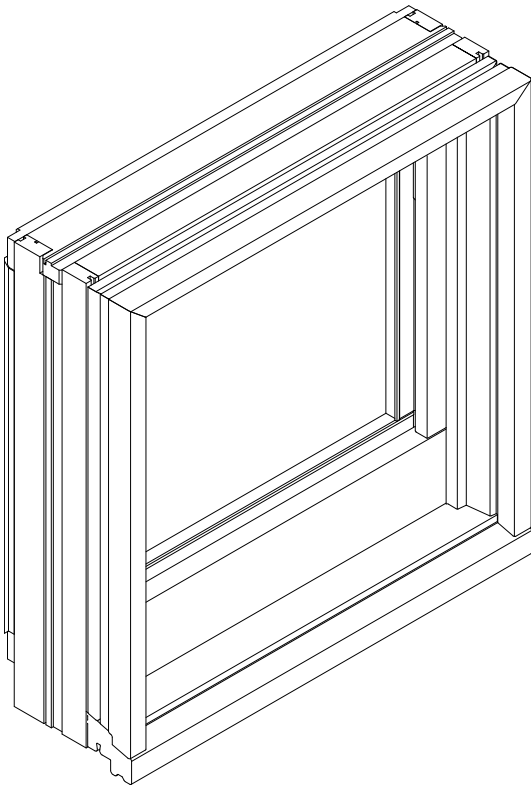
| | |
|---|---------------|
| Picture & Transom Windows | Page 3 |
| Parts Illustration | 3 |
| Unit Sizes | 4 |
| Standard and Custom Window Sizes | 4 |
| 400 Series Product Label | 4 |
| Unit Size Chart - Picture Windows | 5 |
| Unit Size Chart - Transom Windows (18-310 widths) | 6 |
| Unit Size Chart - Transom Windows (42-62 widths) | 7 |
| Product History | 8 |
| Milestones | 8 |
| Glass | 9 |
| Glass Size Table | 9 |
| Grilles | 11 |
| Interior Grilles - Removable | 11 |
| Frames | 12 |
| Frames - Picture and Transom Windows | 12 |
| Stops | 12 |
| Filler | 13 |
| Joining Components | 14 |
| Transom Joining Kits | 14 |

400 Series Woodwright® Picture and Transom Windows (2002 to Present)

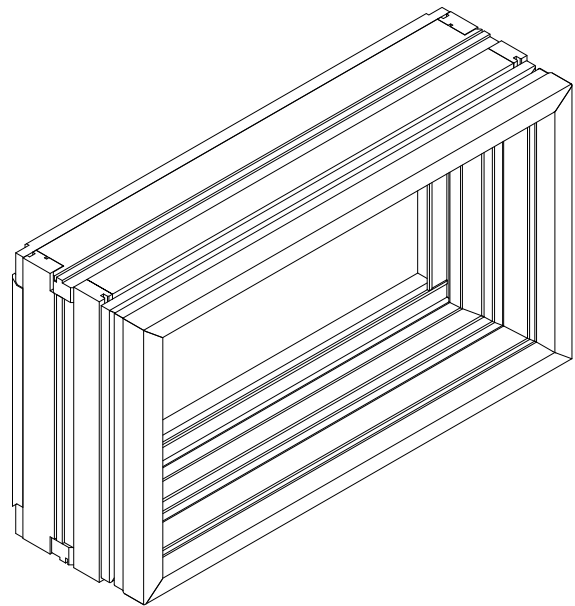
Picture & Transom Windows

Parts Illustration

Parts Illustration



Picture Window



Transom Window

Manufactured 2002 to Present

Woodwright® Picture and Transom Unit Parts

Unit viewed from exterior.

Unit Sizes

Standard and Custom Window Sizes

Note:

Woodwright Windows are available in standard sizes (see standard size charts, [page 4](#)). Replacement parts for some standard windows can be ordered using the numbers listed in this catalog. Many replacement parts for standard windows are made to order. These items are ordered using the Product ID found on the identification label and a description of the part needed. See [Service Guide 9051877](#).

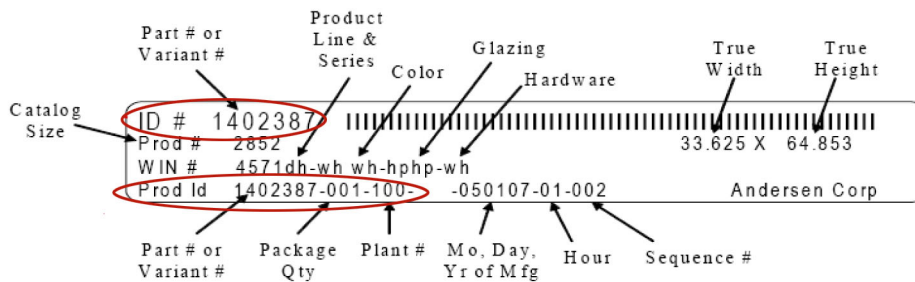
Woodwright Windows are also available in custom sizes in 1/8" increments between the smallest and the largest standard sizes. Most replacement parts for custom-sized windows are made to order and can be ordered with the Product ID found on the identification label and a description of the part needed. See [Service Guide 9051877](#).

400 Series Product Label

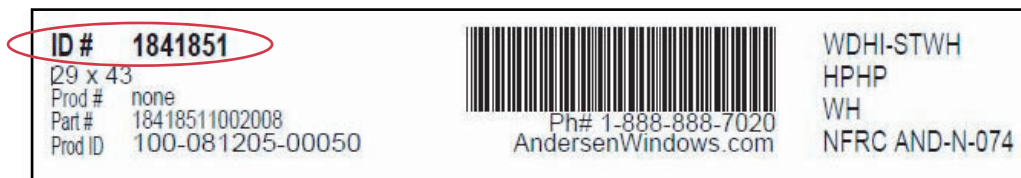
Note:

Every Woodwright Window will have an identification label or glass etching containing a unique Product ID. The Product ID on Woodwright Windows will be located at the top of the window frame or etched into the glass. See [Service Guide 9051877](#). The Product ID may be up to 14 digits long (excluding hyphens), depending on the age of the unit. Replacement parts will also get their own unique Product ID. When ordering replacement parts, providing the Product ID ensures that replacement parts match the specifications.

Pre-2009 Label



2009 to Present



P Number



Quarter and Year of Manufacture

400 Series Woodwright® Picture and Transom Windows (2002 to Present)

Picture & Transom Windows

Unit Sizes

Unit Size Chart - Picture Windows

Note:

Unit Dimension refers to overall outside-to-outside frame. Unobstructed Glass refers to visible glass dimensions.

Dimensions in parentheses are in millimeters.

See [Measuring Visible Glass Video](#).

Custom sizing between the smallest and largest width – in 1/8" increments.

| | Unit Dimension | 3'-0" | 3'-1 5/8" | 3'-5 5/8" | 3'-11 5/16" | 4'-3 5/16" | 4'-11 5/16" | 5'-7 5/16" |
|--|--------------------|-----------|-----------|-----------|-------------|------------|-------------|------------|
| | | (305) | (956) | (1057) | (1202) | (1303) | (1507) | (1710) |
| | Rough Opening | 1'-0 1/2" | 3'-2 1/8" | 3'-6 1/8" | 3'-11 7/8" | 4'-3 7/8" | 4'-11 7/8" | 5'-7 7/8" |
| | | (318) | (968) | (1070) | (1216) | (1318) | (1521) | (1724) |
| | Unobstructed Glass | 6" | 31 5/8" | 35 5/8" | 41 1/4" | 45 1/4" | 53 1/4" | 61 1/4" |
| | | (152) | (803) | (905) | (1048) | (1149) | (1353) | (1556) |

| Unit Dimension | 3'-0" | 3'-1 5/8" | 3'-5 5/8" | 3'-11 5/16" | 4'-3 5/16" | 4'-11 5/16" | 5'-7 5/16" |
|----------------|--------|-----------|-----------|-------------|------------|-------------|------------|
| 4'-0 7/8" | (1241) | (1241) | (1045) | | | | |
| 4'-4 7/8" | (1343) | (1343) | (1146) | | | | |
| 4'-8 7/8" | (1445) | (1445) | (1248) | | | | |
| 5'-0 7/8" | (1547) | (1547) | (1349) | | | | |
| 5'-4 7/8" | (1648) | (1648) | (1451) | | | | |
| 5'-8 7/8" | (1749) | (1749) | (1553) | | | | |
| 6'-0 7/8" | (1851) | (1851) | (1654) | | | | |
| 6'-4 7/8" | (1953) | (1953) | (1756) | | | | |

| | | | | | | |
|----------|----------|----------|-----------|----------|-----------|----------|
| WPW10310 | WPW30310 | WPW34310 | WPW310310 | WPW42310 | WPW410310 | WPW56310 |
| WPW1042 | WPW3042 | WPW3442 | WPW31042 | WPW4242 | WPW41042 | WPW5642 |
| WPW1046 | WPW3046 | WPW3446 | WPW31046 | WPW4246 | WPW41046 | WPW5646 |
| WPW10410 | WPW30410 | WPW34410 | WPW310410 | WPW42410 | WPW410410 | WPW56410 |
| WPW1052 | WPW3052 | WPW3452 | WPW31052 | WPW4252 | WPW41052 | WPW5652 |
| WPW1056 | WPW3056 | WPW3456 | WPW31056 | WPW4256 | WPW41056 | WPW5656 |
| WPW10510 | WPW30510 | WPW34510 | WPW310510 | WPW42510 | WPW410510 | WPW56510 |
| WPW1062 | WPW3062 | WPW3462 | WPW31062 | WPW4262 | WPW41062 | WPW5662 |

Grille alignment for Cottage Style sash is different - be sure to specify when ordering.

Woodwright® Picture Unit Sizes

Unit viewed from exterior.

Unit Sizes

Unit Size Chart - Transom Windows (18-310 widths)

Note:

Unit Dimension refers to overall outside-to-outside frame. Unobstructed Glass refers to visible glass dimensions.

Dimensions in parentheses are in millimeters.

See [Measuring Visible Glass Video](#).

| | | | | | | | | | | |
|-----------------------|------------|-----------|-----------|-----------|------------|------------|-----------|-----------|------------|-------------|
| Window Dimension | 1'-9 5/8" | 2'-1 5/8" | 2'-5 5/8" | 2'-7 5/8" | 2'-9 5/8" | 2'-11 5/8" | 3'-1 5/8" | 3'-5 5/8" | 3'-9 5/8" | 3'-11 5/16" |
| | (549) | (651) | (752) | (803) | (854) | (905) | (956) | (1057) | (1159) | (1202) |
| Minimum Rough Opening | 1'-10 1/8" | 2'-2 1/8" | 2'-6 1/8" | 2'-8 1/8" | 2'-10 1/8" | 3'-0 1/8" | 3'-2 1/8" | 3'-6 1/8" | 3'-10 1/8" | 3'-11 7/8" |
| | (562) | (664) | (765) | (816) | (867) | (917) | (968) | (1070) | (1172) | (1215) |
| Unobstructed Glass | 15 5/8" | 19 5/8" | 23 5/8" | 25 5/8" | 27 5/8" | 29 5/8" | 31 5/8" | 35 5/8" | 39 5/8" | 41 1/4" |
| | (397) | (498) | (600) | (651) | (702) | (752) | (803) | (905) | (1006) | (1048) |

CUSTOM WIDTHS – 1' to 6'-3 5/16"

| | | | | | | | | | | | |
|--|---|----------|----------|----------|----------|-----------|----------|----------|----------|-----------|----------|
| CUSTOM HEIGHTS – 1' to 3'-3 5/16" 1'-0" (305) 1'-7 5/16" (491) 1'-9 5/16" (541) 1'-15 5/16" (643) 2'-1 5/16" (694) 2'-5 5/16" (745) 2'-9 5/16" (846) 3'-3 5/16" (999) | WTR1810 | WTR2010 | WTR2410 | WTR2610 | WTR2810 | WTR21010 | WTR3010 | WTR3410 | WTR3810 | WTR31010 | |
| | 1'-7 7/8" (504) 1'-9 7/8" (555) 1'-9 7/8" (555) 2'-1 7/8" (657) 2'-3 7/8" (707) 2'-5 7/8" (758) 2'-9 7/8" (860) 3'-3 7/8" (1012) | WTR1815 | WTR2015 | WTR2415 | WTR2615 | WTR2815 | WTR21015 | WTR3015 | WTR3415 | WTR3815 | WTR31015 |
| | 16 1/8" (410) 20 1/8" (511) 22 1/8" (562) 24 1/8" (613) 28 1/8" (714) 34 1/8" (867) | WTR1817 | WTR2017 | WTR2417 | WTR2617 | WTR2817 | WTR21017 | WTR3017 | WTR3417 | WTR3817 | WTR31017 |
| | WTR18111 | WTR20111 | WTR24111 | WTR26111 | WTR28111 | WTR210111 | WTR30111 | WTR34111 | WTR38111 | WTR310111 | |
| | WTR1821 | WTR2021 | WTR2421 | WTR2621 | WTR2821 | WTR21021 | WTR3021 | WTR3421 | WTR3821 | WTR31021 | |
| | WTR1823 | WTR2023 | WTR2423 | WTR2623 | WTR2823 | WTR21023 | WTR3023 | WTR3423 | WTR3823 | WTR31023 | |
| | WTR1827 | WTR2027 | WTR2427 | WTR2627 | WTR2827 | WTR21027 | WTR3027 | WTR3427 | WTR3827 | WTR31027 | |
| | WTR1831 | WTR2031 | WTR2431 | WTR2631 | WTR2831 | WTR21031 | WTR3031 | WTR3431 | WTR3831 | WTR31031 | |

Woodwright® Transom Unit Sizes

Unit viewed from exterior.

400 Series Woodwright® Picture and Transom Windows (2002 to Present)

Picture & Transom Windows

Unit Sizes

Unit Size Chart - Transom Windows (42-62 widths)

Note:

Unit Dimension refers to overall outside-to-outside frame. Unobstructed Glass refers to visible glass dimensions.
 Dimensions in parentheses are in millimeters.
 See [Measuring Visible Glass Video](#).

| Window Dimension | 4'-3 ⁵ / ₁₆ " (1303) | 4'-11 ⁵ / ₁₆ " (1506) | 5'-7 ⁵ / ₁₆ " (1710) | 6'-3 ⁵ / ₁₆ " (1913) |
|-----------------------|---|--|---|---|
| Minimum Rough Opening | 4'-3 ⁷ / ₈ " (1317) | 4'-11 ⁷ / ₈ " (1520) | 5'-7 ⁷ / ₈ " (1724) | 6'-3 ⁷ / ₈ " (1927) |
| Unobstructed Glass | 45 1/4" (1149) | 53 1/4" (1353) | 61 1/4" (1556) | 69 1/4" (1745) |



Custom-size windows are available in 1/8" (3) increments.

| | | | | |
|----------------------|----------|-----------|----------|----------|
| 1'-0" (305) | | | | |
| 1'-0 1/2" (318) | WTR4210 | WTR41010 | WTR5610 | WTR6210 |
| 1'-7 5/16" (491) | | | | |
| 1'-7 7/8" (504) | WTR4215 | WTR41015 | WTR5615 | WTR6215 |
| 1'-9 5/16" (541) | | | | |
| 1'-9 7/8" (555) | WTR4217 | WTR41017 | WTR5617 | WTR6217 |
| 1'-15 1/16" (643) | | | | |
| 2'-1 7/8" (657) | WTR42111 | WTR410111 | WTR56111 | WTR62111 |
| 2'-1 5/16" (694) | | | | |
| 2'-3 7/8" (707) | WTR4221 | WTR41021 | WTR5621 | WTR6221 |
| 2'-5 1/16" (745) | | | | |
| 2'-5 7/8" (758) | WTR4223 | WTR41023 | WTR5623 | WTR6223 |
| 2'-9 5/16" (846) | | | | |
| 2'-9 7/8" (860) | WTR4227 | WTR41027 | WTR5627 | WTR6227 |
| 2'-1 1/8" (511) | | | | |
| 20 1/8" (511) | WTR4231 | WTR41031 | WTR5631 | WTR6231 |
| 3'-3 5/16" (999) | | | | |
| 3'-3 7/8" (1012) | | | | |
| 34 1/8" (867) | | | | |

Woodwright® Transom Unit Sizes

Unit viewed from exterior.

Product History

Milestones

- 2008** SmartSun™ glass introduced.
- 2007** Factory-applied 6 9/16" extension jambs introduced.
- 2002** Woodwright Picture & Transom Windows introduced.

400 Series Woodwright® Picture and Transom Windows (2002 to Present)

Picture & Transom Windows

Glass

Glass Size Table

To order, state:

1. Description of Part (Glass)
2. Quantity
3. Product ID (from product label, see [Service Guide 9051877](#))
4. Options Desired (if different than original product)

Glass Size Table - Picture Windows

| Unit No. | Unobstructed Glass (w x h) | Unit No. | Unobstructed Glass (w x h) |
|-----------|----------------------------|-----------|----------------------------|
| WPW10310 | 6 x 41 1/8 | WPW31052 | 41 1/4 x 57 1/8 |
| WPW1042 | 6 x 45 1/8 | WPW31056 | 41 1/4 x 61 1/8 |
| WPW1046 | 6 x 49 1/8 | WPW310510 | 41 1/4 x 65 1/8 |
| WPW10410 | 6 x 53 1/8 | WPW31062 | 41 1/4 x 69 1/8 |
| WPW1052 | 6 x 57 1/8 | WPW42310 | 45 1/4 x 41 1/8 |
| WPW1056 | 6 x 61 1/8 | WPW4242 | 45 1/4 x 45 1/8 |
| WPW10510 | 6 x 65 1/8 | WPW4246 | 45 1/4 x 49 1/8 |
| WPW1062 | 6 x 69 1/8 | WPW42410 | 45 1/4 x 53 1/8 |
| WPW30310 | 31 5/8 x 41 1/8 | WPW4252 | 45 1/4 x 57 1/8 |
| WPW3042 | 31 5/8 x 45 1/8 | WPW4256 | 45 1/4 x 61 1/8 |
| WPW3046 | 31 5/8 x 49 1/8 | WPW42510 | 45 1/4 x 65 1/8 |
| WPW30410 | 31 5/8 x 53 1/8 | WPW4262 | 45 1/4 x 69 1/8 |
| WPW3052 | 31 5/8 x 57 1/8 | WPW410310 | 53 1/4 x 41 1/8 |
| WPW3056 | 31 5/8 x 61 1/8 | WPW41042 | 53 1/4 x 45 1/8 |
| WPW30510 | 31 5/8 x 65 1/8 | WPW41046 | 53 1/4 x 49 1/8 |
| WPW3062 | 31 5/8 x 69 1/8 | WPW410410 | 53 1/4 x 53 1/8 |
| WPW34310 | 35 5/8 x 41 1/8 | WPW41052 | 53 1/4 x 57 1/8 |
| WPW3442 | 35 5/8 x 45 1/8 | WPW41056 | 53 1/4 x 61 1/8 |
| WPW3446 | 35 5/8 x 49 1/8 | WPW410510 | 53 1/4 x 65 1/8 |
| WPW34410 | 35 5/8 x 53 1/8 | WPW41062 | 53 1/4 x 69 1/8 |
| WPW3452 | 35 5/8 x 57 1/8 | WPW56310 | 61 1/4 x 41 1/8 |
| WPW3456 | 35 5/8 x 61 1/8 | WPW5642 | 61 1/4 x 45 1/8 |
| WPW34510 | 35 5/8 x 65 1/8 | WPW5646 | 61 1/4 x 49 1/8 |
| WPW3462 | 35 5/8 x 69 1/8 | WPW56410 | 61 1/4 x 53 1/8 |
| WPW310310 | 41 1/4 x 41 1/8 | WPW5652 | 61 1/4 x 57 1/8 |
| WPW31042 | 41 1/4 x 45 1/8 | WPW5656 | 61 1/4 x 61 1/8 |
| WPW31046 | 41 1/4 x 49 1/8 | WPW56510 | 61 1/4 x 65 1/8 |
| WPW310410 | 41 1/4 x 53 1/8 | WPW5662 | 61 1/4 x 69 1/8 |

Glass

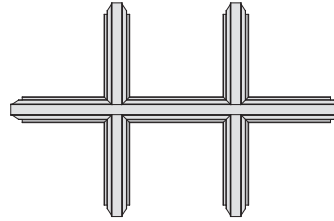
| Glass Size Table - Transom Windows | | | |
|---|---|-----------------|---|
| Unit No. | Unobstructed Glass (w x h) | Unit No. | Unobstructed Glass (w x h) |
| WTR1810 | 15 ⁵ / ₈ x 6 ³ / ₁₆ | WTR2831 | 27 ⁵ / ₈ x 32 ¹ / ₈ |
| WTR1815 | 15 ⁵ / ₈ x 14 ¹ / ₈ | WTR3010 | 31 ⁵ / ₈ x 6 ³ / ₁₆ |
| WTR1817 | 15 ⁵ / ₈ x 16 ¹ / ₈ | WTR3015 | 31 ⁵ / ₈ x 14 ¹ / ₈ |
| WTR18111 | 15 ⁵ / ₈ x 20 ¹ / ₈ | WTR3017 | 31 ⁵ / ₈ x 16 ¹ / ₈ |
| WTR1821 | 15 ⁵ / ₈ x 22 ¹ / ₈ | WTR30111 | 31 ⁵ / ₈ x 20 ¹ / ₈ |
| WTR1823 | 15 ⁵ / ₈ x 24 ¹ / ₈ | WTR3021 | 31 ⁵ / ₈ x 22 ¹ / ₈ |
| WTR1827 | 15 ⁵ / ₈ x 28 ¹ / ₈ | WTR3023 | 31 ⁵ / ₈ x 24 ¹ / ₈ |
| WTR1831 | 15 ⁵ / ₈ x 32 ¹ / ₈ | WTR3027 | 31 ⁵ / ₈ x 28 ¹ / ₈ |
| WTR2010 | 19 ⁵ / ₈ x 6 ³ / ₁₆ | WTR3031 | 31 ⁵ / ₈ x 32 ¹ / ₈ |
| WTR2015 | 19 ⁵ / ₈ x 14 ¹ / ₈ | WTR3410 | 35 ⁵ / ₈ x 6 ³ / ₁₆ |
| WTR2017 | 19 ⁵ / ₈ x 16 ¹ / ₈ | WTR3415 | 35 ⁵ / ₈ x 14 ¹ / ₈ |
| WTR20111 | 19 ⁵ / ₈ x 20 ¹ / ₈ | WTR3417 | 35 ⁵ / ₈ x 16 ¹ / ₈ |
| WTR2021 | 19 ⁵ / ₈ x 22 ¹ / ₈ | WTR34111 | 35 ⁵ / ₈ x 20 ¹ / ₈ |
| WTR2023 | 19 ⁵ / ₈ x 24 ¹ / ₈ | WTR3421 | 35 ⁵ / ₈ x 22 ¹ / ₈ |
| WTR2027 | 19 ⁵ / ₈ x 28 ¹ / ₈ | WTR3423 | 35 ⁵ / ₈ x 24 ¹ / ₈ |
| WTR2031 | 19 ⁵ / ₈ x 32 ¹ / ₈ | WTR3427 | 35 ⁵ / ₈ x 28 ¹ / ₈ |
| WTR2410 | 23 ⁵ / ₈ x 6 ³ / ₁₆ | WTR3431 | 35 ⁵ / ₈ x 32 ¹ / ₈ |
| WTR2415 | 23 ⁵ / ₈ x 14 ¹ / ₈ | WTR3810 | 39 ⁵ / ₈ x 6 ³ / ₁₆ |
| WTR2417 | 23 ⁵ / ₈ x 16 ¹ / ₈ | WTR3815 | 39 ⁵ / ₈ x 14 ¹ / ₈ |
| WTR24111 | 23 ⁵ / ₈ x 20 ¹ / ₈ | WTR3817 | 39 ⁵ / ₈ x 16 ¹ / ₈ |
| WTR2421 | 23 ⁵ / ₈ x 22 ¹ / ₈ | WTR38111 | 39 ⁵ / ₈ x 20 ¹ / ₈ |
| WTR2423 | 23 ⁵ / ₈ x 24 ¹ / ₈ | WTR3821 | 39 ⁵ / ₈ x 22 ¹ / ₈ |
| WTR2427 | 23 ⁵ / ₈ x 28 ¹ / ₈ | WTR3823 | 39 ⁵ / ₈ x 24 ¹ / ₈ |
| WTR2431 | 23 ⁵ / ₈ x 32 ¹ / ₈ | WTR3827 | 39 ⁵ / ₈ x 28 ¹ / ₈ |
| WTR2810 | 27 ⁵ / ₈ x 6 ³ / ₁₆ | WTR3831 | 39 ⁵ / ₈ x 32 ¹ / ₈ |
| WTR2815 | 27 ⁵ / ₈ x 14 ¹ / ₈ | WTR31010 | 41 ¹ / ₄ x 6 ³ / ₁₆ |
| WTR2817 | 27 ⁵ / ₈ x 16 ¹ / ₈ | WTR4210 | 45 ¹ / ₄ x 6 ³ / ₁₆ |
| WTR28111 | 27 ⁵ / ₈ x 20 ¹ / ₈ | WTR41010 | 53 ¹ / ₄ x 6 ³ / ₁₆ |
| WTR2821 | 27 ⁵ / ₈ x 22 ¹ / ₈ | WTR5610 | 61 ¹ / ₄ x 6 ³ / ₁₆ |
| WTR2823 | 27 ⁵ / ₈ x 24 ¹ / ₈ | WTR6210 | 69 ¹ / ₄ x 6 ³ / ₁₆ |
| WTR2827 | 27 ⁵ / ₈ x 28 ¹ / ₈ | | |

400 Series Woodwright® Picture and Transom Windows (2002 to Present)

Picture & Transom Windows

Grilles

Interior Grilles - Removable



Interior Grille - Picture and Transom Window / Removable

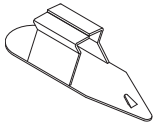
Note:

Removable interior grilles are made to order. Grilles include fasteners.

To order state:

1. Description of Part (Removable Interior Grilles)
2. Quantity
3. Product ID (from product label, see [page 4](#))

Grille Clip (2004 to Present)

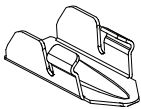


Note:

Includes one clip. Clip affixes to sash.

| Finish | Order No. |
|--------------|-----------|
| White | 0174951 |
| Terratone® | 0174952 |
| Sandtone | 0174953 |
| Forest Green | 0174955 |
| Canvas | 0174954 |
| Dark Bronze | 9020288 |

Grille Clip Kit (Prior to 2004)

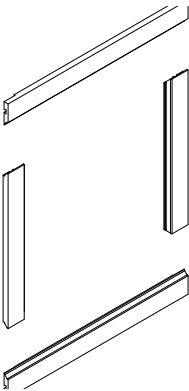
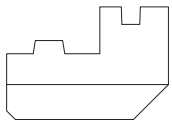
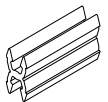


Kit includes:
(12) Clips

| Finish | Order No. |
|--------------|-----------|
| White | 0873284 |
| Terratone® | N/A |
| Sandtone | 0873285 |
| Forest Green | N/A |

Frames

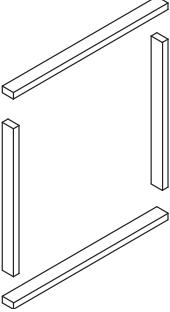
| Frames - Picture and Transom Windows | |
|---|--|
| <p>Note: See latest Product Details.</p> | |
| Frame - Picture and Transom Window | |
| | <p>Note: Frames are made to order.</p> <p><i>To order state:</i></p> <ol style="list-style-type: none"> Description of Part (Complete Frame) Quantity Product ID (from product label, see page 4) |

| Stops | | | | |
|---|--|---|-----------|---------|
| Glass Stop Kit - Picture and Transom Window / Side | | | | |
|  | <p>Note: Side glass stops are made to order. Available in kit only.</p> <p>Kit includes: Head, sill, right hand and left hand glass stops. Does not include glass clips for stop attachment.</p> <p><i>To order state:</i></p> <ol style="list-style-type: none"> Description of Part (Side Glass Stop Kit) Quantity Product ID (from product label, see page 4) | | | |
| Inside Stop Kit - Picture and Transom Window | | | | |
|  | <p>Note: Inside stops are made to order. Available in kit only.</p> <p>Kit includes: Head, sill, right hand and left hand inside stops.</p> <p><i>To order state:</i></p> <ol style="list-style-type: none"> Description of Part (Inside Stop Kit) Quantity Product ID (from product label, see page 4) | | | |
| Glass Clip | | | | |
|  | <p>Note: Placed 6" from each end and spaced 8" apart.</p> | | | |
| | | <table border="1"> <thead> <tr> <th>Order No.</th> </tr> </thead> <tbody> <tr> <td>0102080</td> </tr> </tbody> </table> | Order No. | 0102080 |
| Order No. | | | | |
| 0102080 | | | | |

400 Series Woodwright® Picture and Transom Windows (2002 to Present)

Picture & Transom Windows

Frames

| Filler | | | | |
|---|---|---------------|-------------------|------------|
| Filler - Head and Sill | | | | |
|  | <p>Note: Head and sill filler kit. Filler kits are made to order.</p> <p>Kit includes: Head, sill, right-hand and left-hand fillers.</p> <p><i>To order state:</i></p> <ol style="list-style-type: none"> Description of Part (Filler Kit) Quantity Product ID (from product label, see page 4) | Length | Finish | Oak |
| | | 75 | Prefinished White | 0102722 |
| | | | Pine | 0102712 |
| | | | Maple | 0102724 |
| | | Oak | 0102723 | |

Joining Components

Transom Joining Kits

Transom Joining Kit

Kit includes:

- (6) Transom outside mull trim
- (6) Accessory packages (0102619)

Each accessory package includes:

- Instruction sheet,
- (2) Gusset plates
- (4) Narrow mull joining clips
- (4) Narrow mull spacers
- (16) Screws - PH FL STL 2 -Y - D #8 - 10 x 1 3/8" TYP PLS 2
- (8) Screws - SS7 - 8 x 1/2" PH pan head.

| | Length | White | Terratone® | Sandtone | Forest Green | Canvas | Dark Bronze |
|--|--------|---------|------------|----------|--------------|---------|-------------|
| | 48 | 0102597 | 0102602 | 0102599 | 0102604 | 9076727 | 9076959 |
| | 84 | 0102598 | 0102603 | 0102601 | 0102605 | 9076728 | 9076960 |