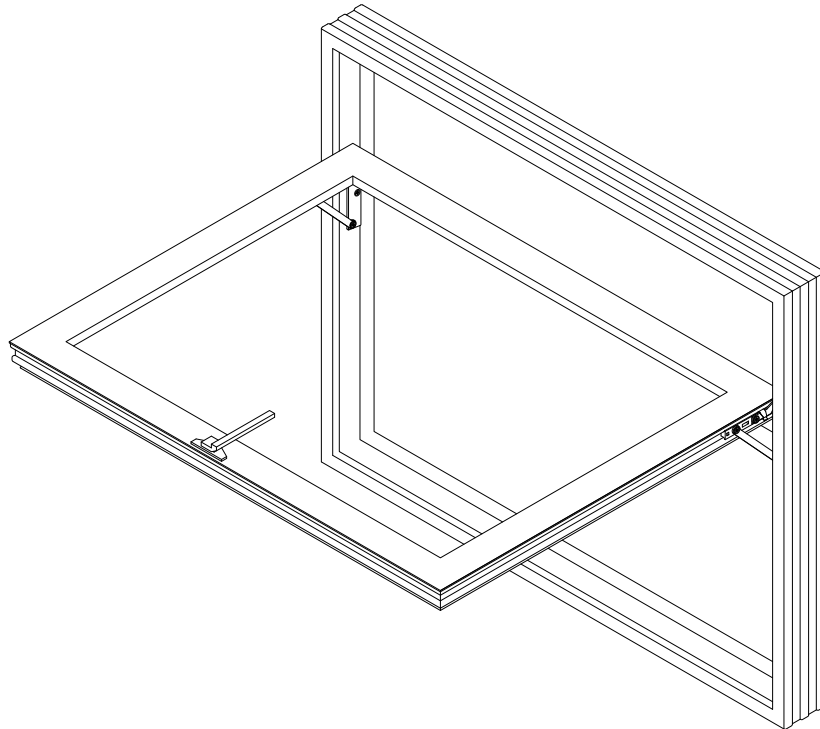


What's in This Section

Standard Windows	Page 3
Parts Illustration	3
Unit Sizes	4
Sash	5
Sash Size Table	5
Sash and Frame Assembly	5
Sash	5
Weatherstrip	6
Insect Screens	7
Insect Screens	7
Hardware	8
Hinges	8
Hardware	8
Frames	10
Frames	10
Snubber	10
Miscellaneous Parts	11
Steel Form	11
 Service Replacement	 Page 13
Service Replacement Only Part	13
Service Replacement Only Parts	13
Cartons	13

Parts Illustration

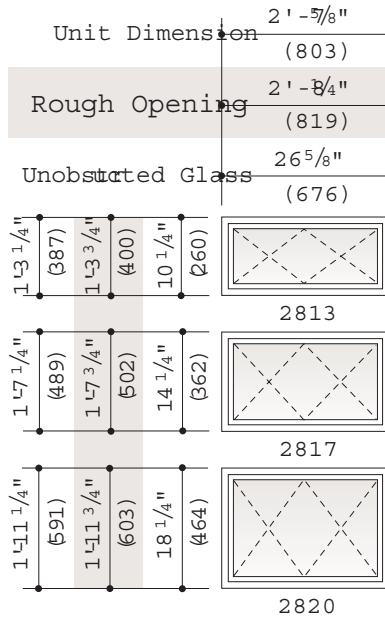


Basement and Utility Window Unit Parts

Unit viewed from interior.

Unit Sizes

Unit Size Chart



Basement and Utility Window Unit Sizes

Unit viewed from exterior.

Sash

Sash Size Table

Sash Size Table

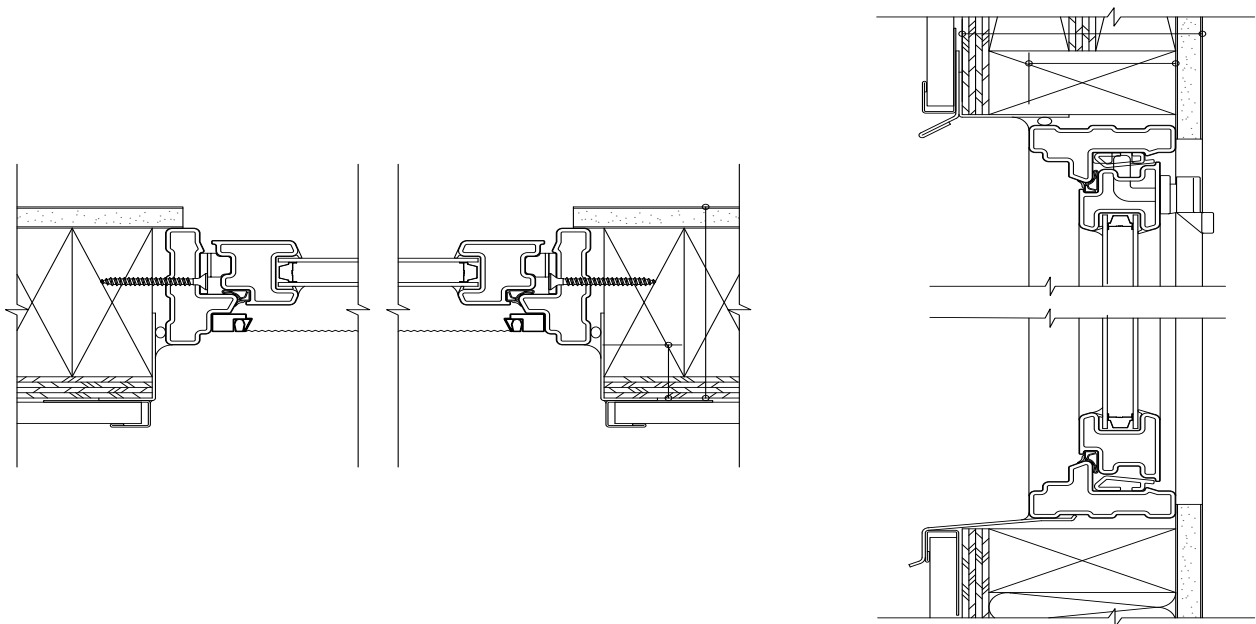
Note:

Overall Sash is measured outside edge to outside edge of frame.

Unobstructed Glass is dimension from outside edge to outside edge of visible glass only.

Unit No.	Overall Sash (w x h)	Unobstructed Glass (w x h)	Actual Glass (w x h)
BSMT2813	31 5/8 x 15 1/4	26 5/8 x 10 1/4	27 3/8" x 11"
BSMT2817	31 5/8 x 19 1/4	26 5/8 x 14 1/4	27 3/8" x 15"
BSMT2820	31 5/8 x 23 1/4	26 5/8 x 18 1/4	27 3/8" x 19"

Sash and Frame Assembly



Basement and Utility Window Sash and Frame Assembly

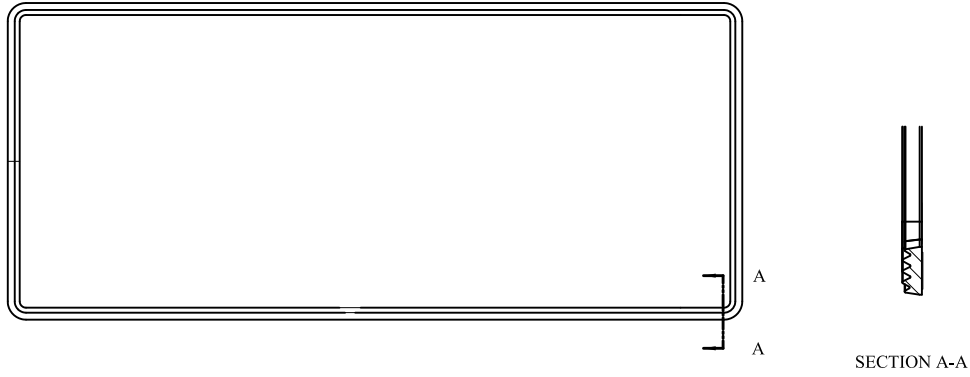
Sash

Sash - Low E

	Note: Hardware is not included.	Unit No	White	Sandtone
		BSMT2813	0271004	0271204
		BSMT2817	0271005	0271205
		BSMT2820	0271006	0271206

Sash

Weatherstrip

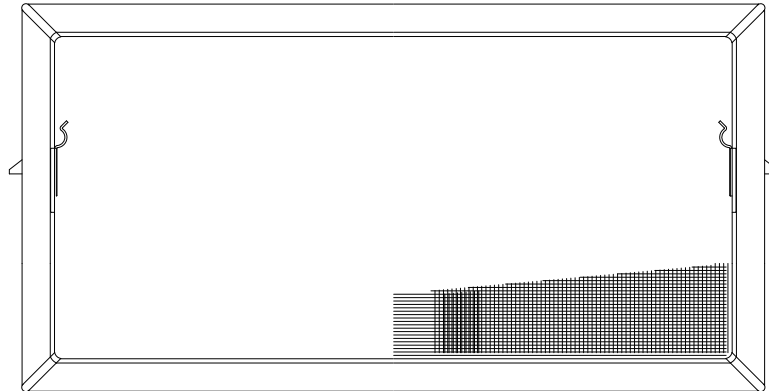


Weatherstrip

	Unit No.	Width x Height	White	Sandtone
	BSMT2813	28 1/2 x 12 1/8	0271041	0271245
	BSMT2817	28 1/2 x 16 1/8	0271042	0271246
	BSMT2820	28 1/2 x 20 1/8	0271043	0271247

Insect Screens

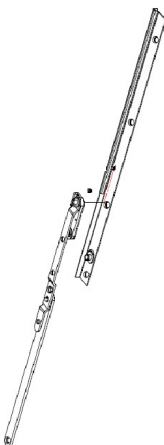
Insect Screens



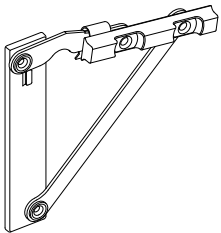
Insect Screen			
Unit No.	Dimensions (w x h)	White	Sandtone
BSMT2813	29 ¹³ / ₁₆ " x 13 ⁷ / ₁₆ "	0271001	0271201
BSMT2817	29 ¹³ / ₁₆ " x 17 ⁷ / ₁₆ "	0271002	0271202
BSMT2820	29 ¹³ / ₁₆ " x 21 ⁷ / ₁₆ "	0271003	0271203

Hardware

Hinges

Hinge - New Style			
		Left	Right
			

Hinge with Screws - Old Style

	<p>Note: Old style hinges are not available. Replace with new style hinge, above. Follow instruction guide to convert frame to receive new style.</p>
--	--

Screw - Hinge / Sash

	Order No.
	0271433

Screw - Hinge / Frame

	Order No.
	0271434

Screw - Hinge / Adjustment Shoe

	Order No.
	0271435

Hardware

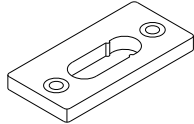
Handle with Screws

	Finish	Order No.
	White	0271039
	Sandtone	0271237

Fibrex™ Basement & Utility Windows (2004 to 2009)

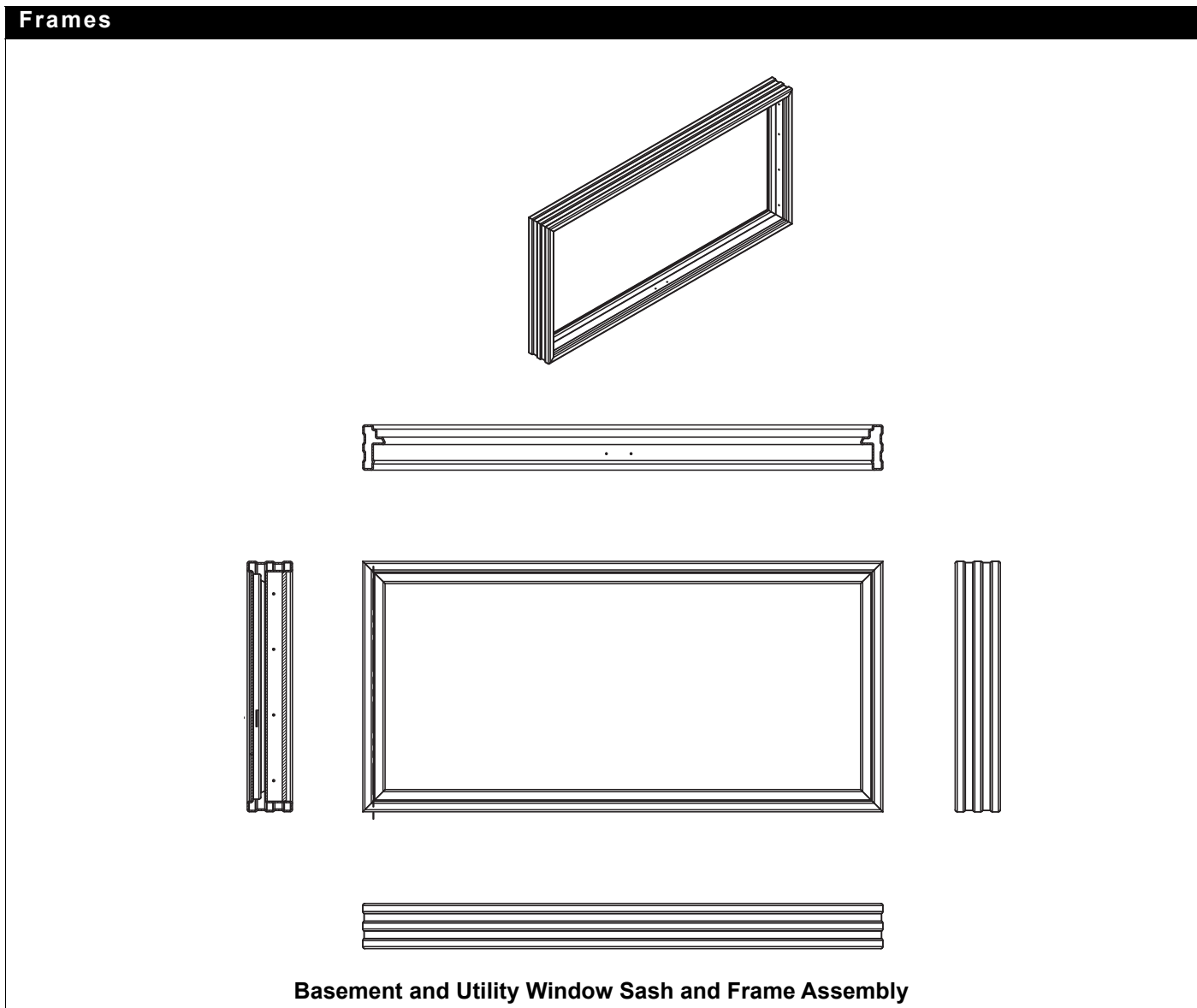
Standard Windows

Hardware

Keeper with Screws		
		Gray
		0271040

Expansion Nut - Nylon		
	Note: Referred to as nylon receiver in hinge replacement guide.	Order No.
		0271436

Frames



Basement and Utility Window Sash and Frame Assembly

Frame			
Note: Service replacement only. Order custom size 100 Series Gliding unit for replacement.	Unit No.	White	Sandtone
	BSMT2813	N/A	N/A
	BSMT2817		
	BSMT2820		

Snubber			
Snubber		Finish	Order No.
		White	0271243
		Sandtone	0271244

Fibrex™ Basement & Utility Windows (2004 to 2009)

Standard Windows

Miscellaneous Parts

Steel Form			
Steel Form - Basement			
Note: The number after the hyphen in the unit no. represents the thickness of the wall.			
Unit No.	Order No.	Unit No.	Order No.
2813-7 1/2	N/A	2820-9	N/A
2817-7 1/2		2813-9 5/8	
2820-7 1/2		2817-9 5/8	
2813-7 5/8		2820-9 5/8	
2817-7 5/8		2813-10	
2820-7 5/8		2817-10	
2813-8		2820-10	
2817-8		2813-12	
2820-8		2817-12	
2813-9		2820-12	
2817-9			

Service Replacement

Service Replacement Only Part

Service Replacement Only Parts

Note:

This section is specifically designed for parts that should only be ordered if a Territory Service Manager/Service Provider Company has requested them to be ordered or if the customer agrees to also pay for a non-warranty repair/replace service job (subject to availability) for these parts to be installed. We do not recommend anyone other than a trained AW employee or Service Provider install these parts due to the complexity of installation, modifications required for installation and/or requirement of special tools.

Cartons

Cartons / Unit

	Unit No.	Order No.
	BSMT2813	6905026
	BSMT2817	6905027
	BSMT2820	6905028

Cartons / Unit Bottom

	Unit No.	Order No.
	BSMT2813	6905041
	BSMT2817	6905042
	BSMT2820	6905043

Cartons / Unit Top

	Unit No.	Order No.
	BSMT2813	6905038
	BSMT2820	6905039

Notes
