

# Operating Panel Channel Bracket Application

**Product Series:** A-Series, 400 Series, 200 Series

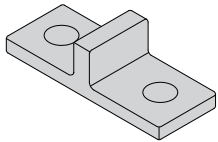
**Product Type:** 4-Panel Gliding Patio Doors

Read these instructions before starting procedure.

For additional information visit [www.andersenwindows.com](http://www.andersenwindows.com).

For questions call 1-888-888-7020.

## Parts Included:



(1) Operating Panel Channel Bracket



(2) #8 x 1" Flat Head Screw



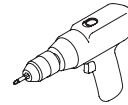
Safety Glasses



Tape Measure



Pencil



Drill / Driver



Tape



Awl



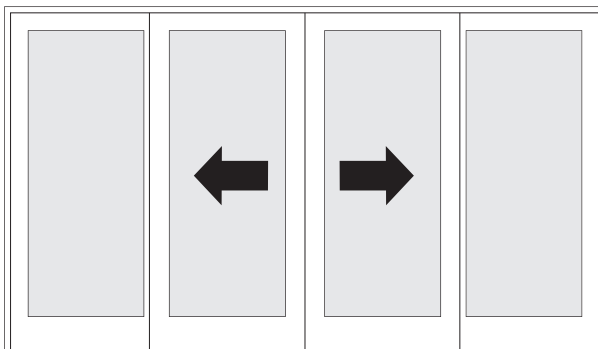
5/32" Drill Bit

## Tools and Supplies Needed:

### **WARNING**

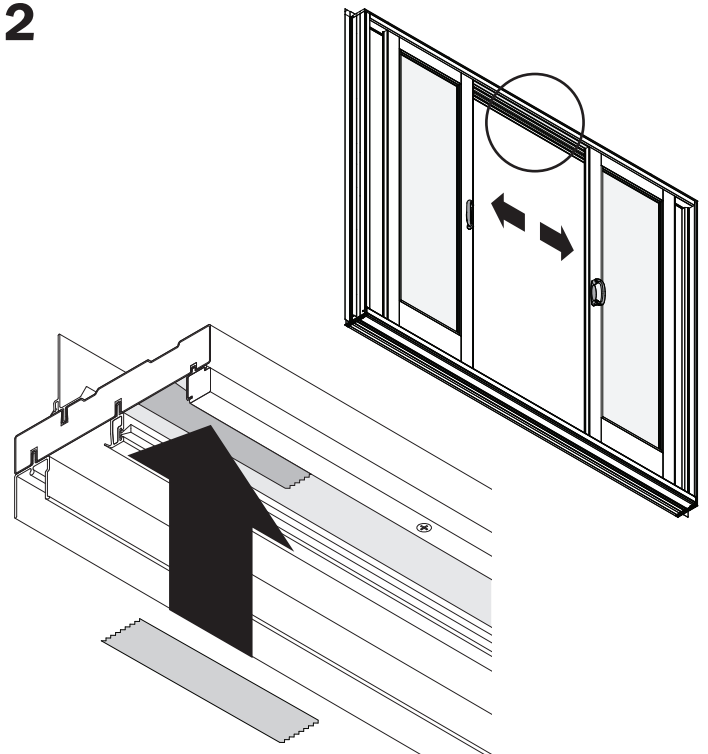
- Windows, doors, and installation components can have sharp edges. Wear protective equipment when handling. Failure to do so could result in injury.
- Follow manufacturers' instructions for hand and power tools. Always wear safety glasses. Failure to do so could result in injury, product or property damage.
- Use caution when working at elevated heights and around window and door openings. Follow the manufacturers' instructions for ladders and scaffolding. Failure to do so could result in injury or death.
- Windows and doors have small parts (e.g. hole plugs, operator spline caps, fasteners, etc.). Small parts if swallowed could pose a choking hazard to young children. Dispose of unused, loose, or easily removed small parts. Failure to do so could result in injury.

**1**



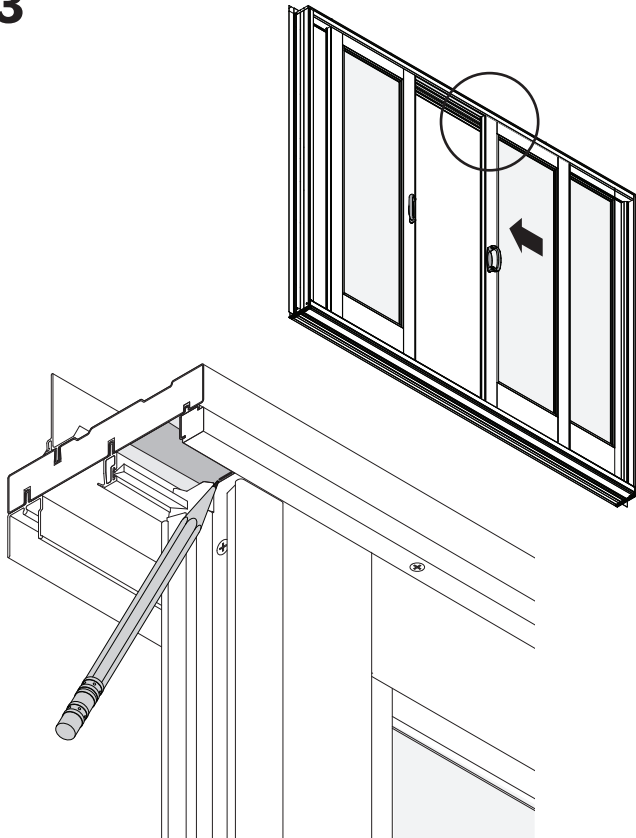
Fully open both operating panels.

**2**



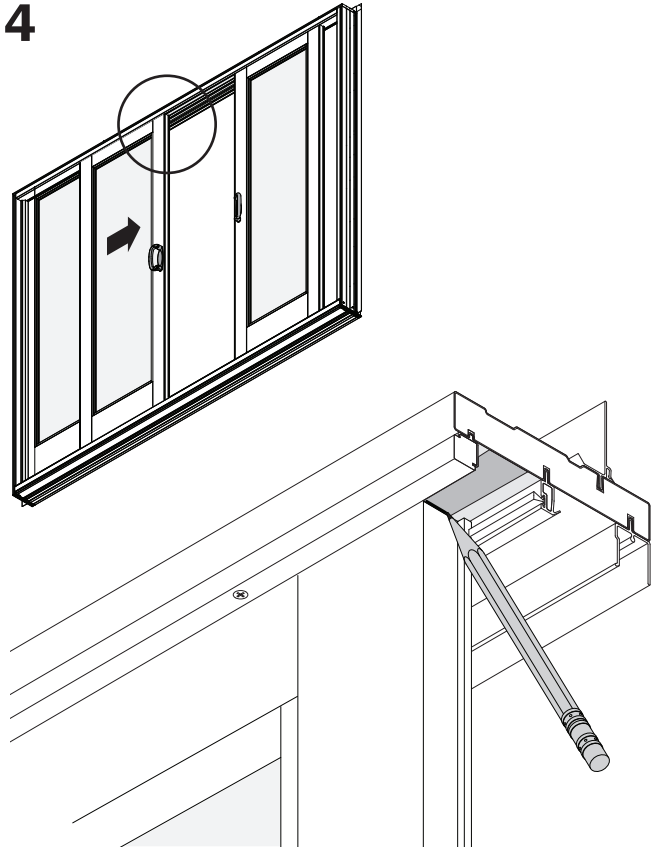
Apply masking tape centered in operating panel channel at head.

3



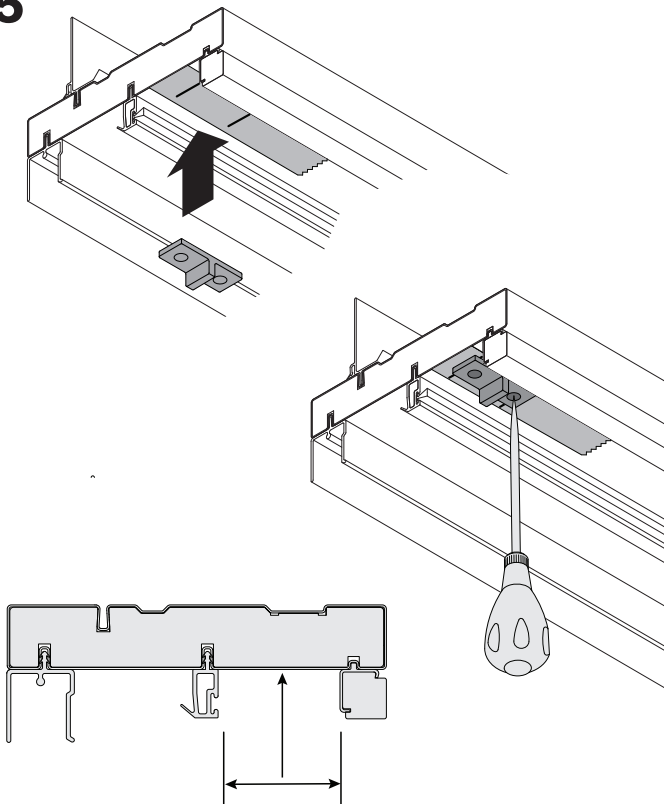
Fully close one of the operating panels. Mark edge of operating panel on tape as shown. Return panel to open position.

4



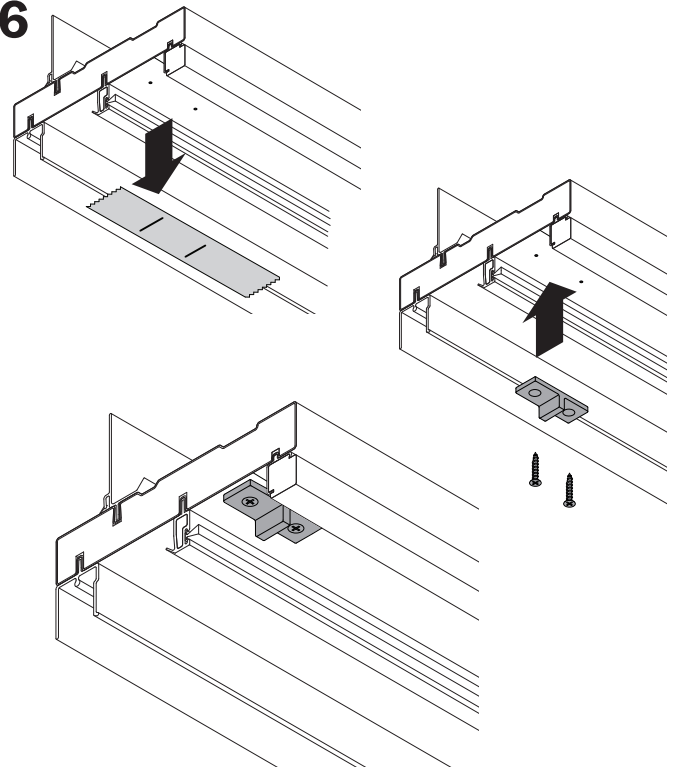
Fully close opposite operating panel. Mark edge of operating panel on tape as shown. Return panel to open position.

5



Center operating panel channel bracket head stop on tape marks and in center of channel. Mark screw holes through the tape and onto channel using an awl.

6



Remove tape. Position operating panel channel bracket head stop on marked screw holes and fasten. A-Series patio doors require screw holes to be predrilled 1/4" deep using a 5/32" bit.

► Procedure is complete.