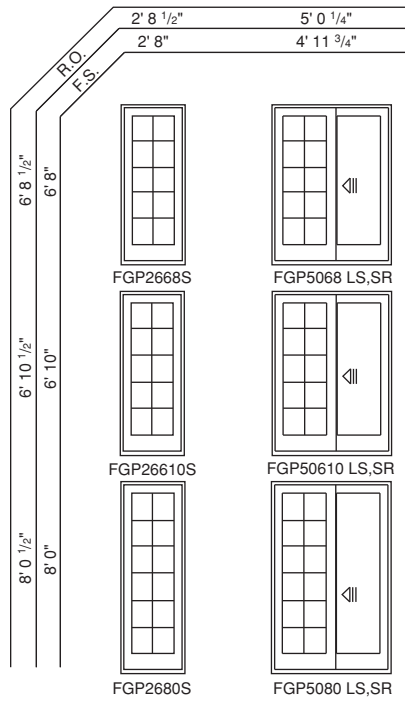


Andersen® E-Series French Gliding Patio Door Sizes



NOTES

All doors and sidelights use safety/tempered glass.

Use structural mullions when necessary or required by code.

The light patterns illustrated apply to removable wood grilles, Modern Divided Lights, Classic Divided Lights, Deco 100, 150 and 400 and between-glass grilles. All removable wood grilles will be installed in the units unless otherwise specified.

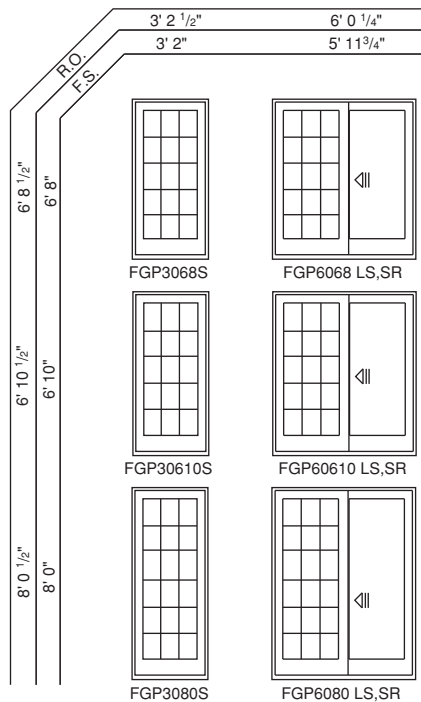
For a metric conversion in millimeters, multiply dimensions in inches by 25.4.

FORMULA FOR COMBINATION DOORS

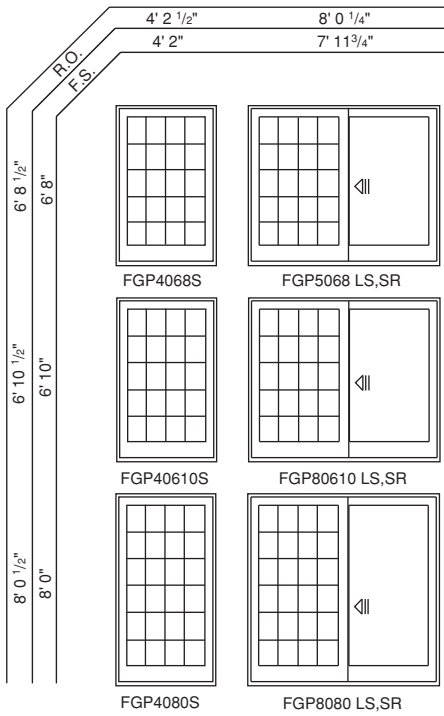
The overall frame dimension (both width and height) is equal to the sum of the individual unit frame dimensions plus mull dimension(s).

The overall rough opening (both width and height) is equal to the overall frame dimensions plus 1/4" on all sides.

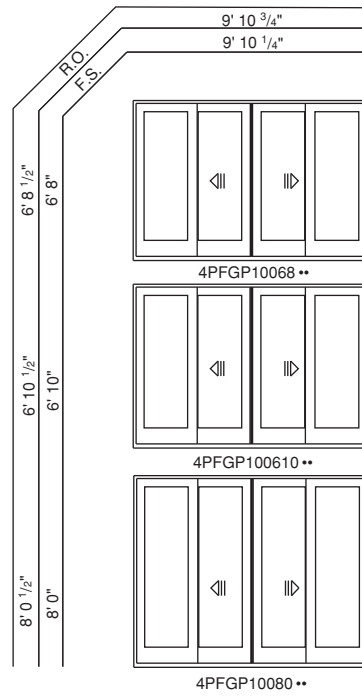
Andersen® E-Series French Gliding Patio Door Sizes



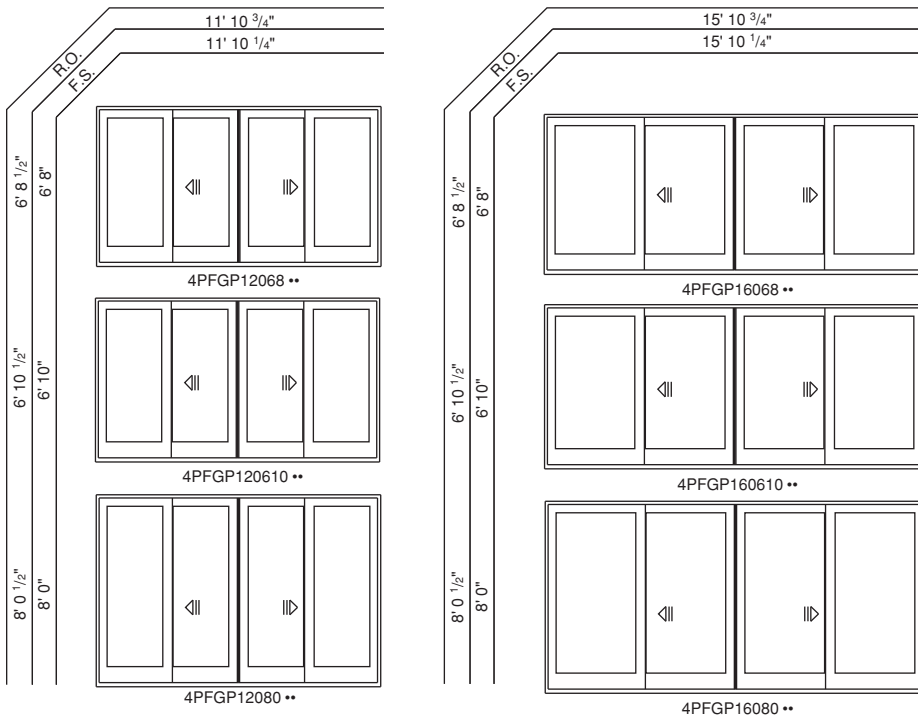
Andersen® E-Series French Gliding Patio Door Sizes



Andersen® E-Series 4-Panel French Gliding Patio Door Sizes



Andersen® E-Series 4-Panel French Gliding Patio Door Sizes



NOTES

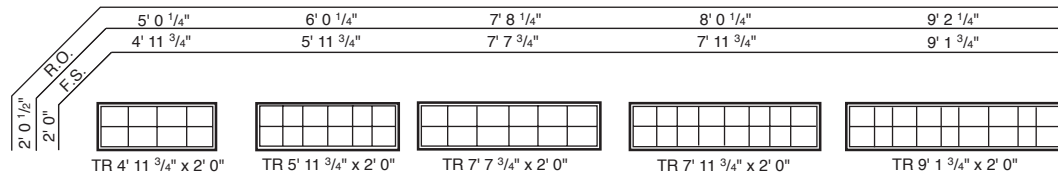
All doors and sidelights use safety/tempered glass.

Astragal is applied to third panel from the left on a 4-panel French gliding patio door.

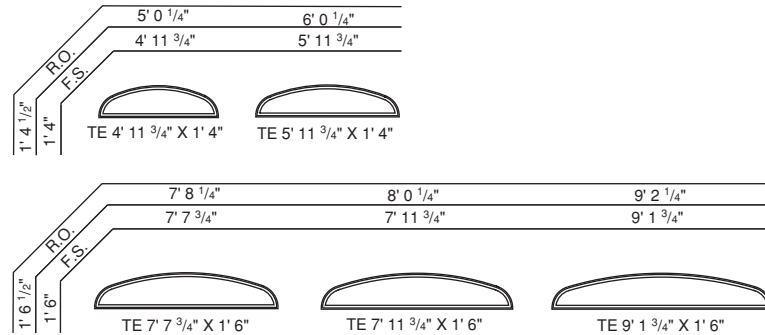
** Units are shipped knocked down and require field assembly because of size and weight.

See notes on page 148 for more information.

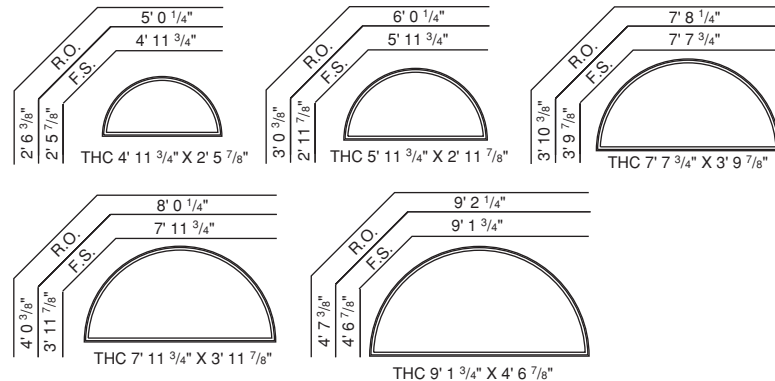
Andersen® E-Series French Gliding Patio Door Rectangular Direct-Set Transom Sizes (Auxiliary Frame)



French Gliding Patio Door Elliptical Direct-Set Transom Sizes (Auxiliary Frame)



French Gliding Patio Door Half-Circle Direct-Set Transom Sizes (Auxiliary Frame)



NOTES

All doors and sidelights use safety/tempered glass.

If glass is positioned within 18" of the finished floor, safety/tempered glass may be required. Local codes may differ. Verify tempered glass requirements with your local building code official.

TR = Transom Rectangle
TE = Transom Elliptical
THC = Transom Half-Circle

4'11-3/4" wide transoms are used above 5068, 50610 or 5080 French Gliding Patio Doors.

5'11-3/4" wide transoms are used above 6068, 60610 or 6080 French Gliding Patio Doors.

7'7-3/4" wide transoms are used above 7668, 76610 or 7680 French Gliding Patio Doors.

7'11-3/4" wide transoms are used above 8068, 80610 or 8080 French Gliding Patio Doors.

9'1-3/4" wide transoms are used above 9068, 90610 or 9080 French Gliding Patio Doors.

Use structural mullions when necessary or required by code.

The light patterns illustrated apply to removable wood grilles, Modern Divided Lights, Classic Divided Lights, Deco 100, 150 and 400 and between-glass grilles. All removable wood grilles will be installed in the units unless otherwise specified. The staggered light patterns illustrated align with light patterns in double doors. Other light patterns are available upon request.

For a metric conversion in millimeters, multiply dimensions in inches by 25.4.

FORMULA FOR COMBINATION DOORS

The overall frame dimension (both width and height) is equal to the sum of the individual unit frame dimensions plus mull dimension(s).

The overall rough opening (both width and height) is equal to the overall frame dimensions plus 1/4" on all sides.