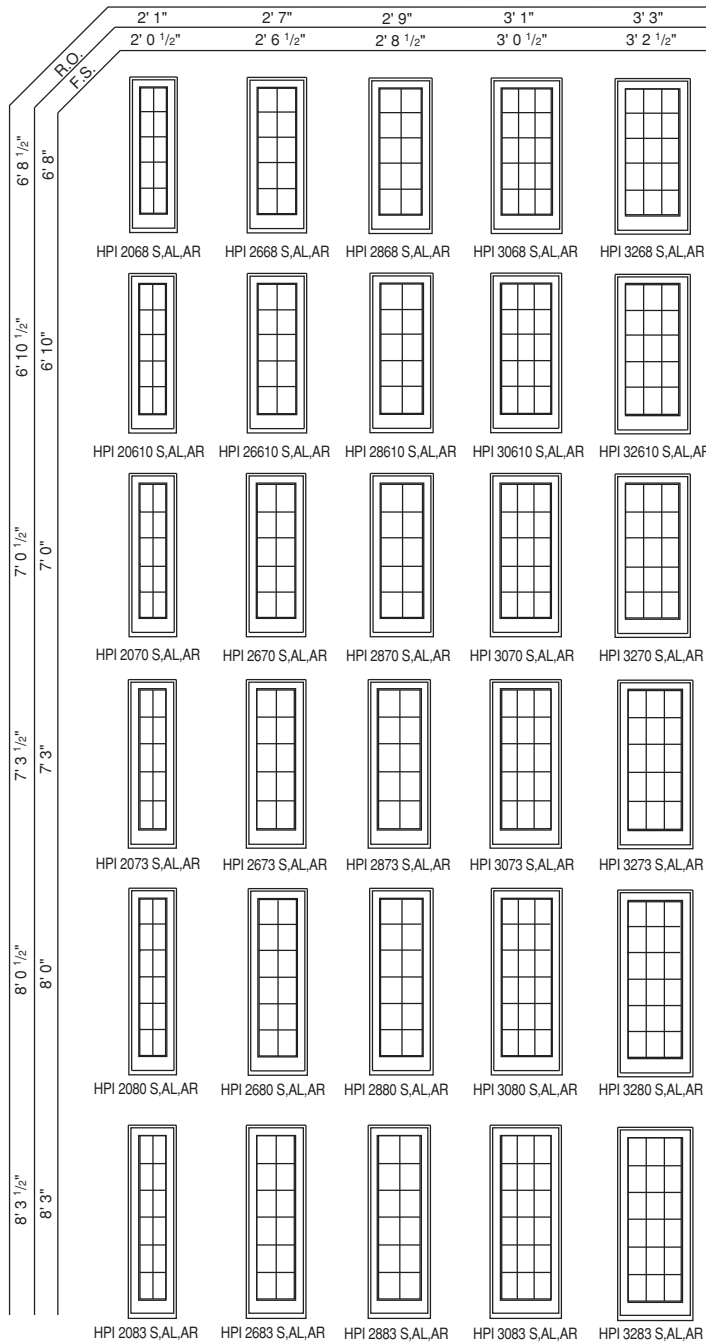


Andersen® E-Series Single Inswing Hinged Patio Door & Sidelight Sizes



NOTES

All doors and sidelights use safety/tempered glass.

The minimum vertical mullion for doors and sidelights is 1/2".

See handing chart on page 130 for operation options.

Use structural mullions when necessary or required by code.

The light patterns illustrated apply to removable wood grilles, Modern Divided Lights, Classic Divided Lights, Deco 100, 150 and 400 and between-glass grilles. All removable wood grilles will be installed in the units unless otherwise specified.

For a metric conversion in millimeters, multiply dimensions in inches by 25.4.

Inswing Frame Height (using ADA Sill)

= Standard Inswing Frame Height – 15/16"

FORMULA FOR COMBINATION DOORS

The overall frame dimension (both width and height) is equal to the sum of the individual unit frame dimensions plus mull dimension(s).

The overall rough opening (both width and height) is equal to the overall frame dimensions plus 1/4" on all sides.

Any unit within each combination can be operating or fixed except for direct glazed units and transoms.

Andersen® E-Series Double Inswing Hinged Patio Door Sizes

	4' 0 1/2"	5' 0 1/2"	5' 4 1/2"	6' 0 1/2"	6' 4 1/2"
	4' 0"	5' 0"	5' 4"	6' 0"	6' 4"
6' 8 1/2" 6' 8"					
	HPI 4068 APLR,PALR	HPI 5068 APLR,PALR	HPI 5468 APLR,PALR	HPI 6068 APLR,PALR	HPI 6468 APLR,PALR
6' 10 1/2" 6' 10"					
	HPI 40610 APLR,PALR	HPI 50610 APLR,PALR	HPI 54610 APLR,PALR	HPI 60610 APLR,PALR	HPI 64610 APLR,PALR
7' 0 1/2" 7' 0"					
	HPI 4070 APLR,PALR	HPI 5070 APLR,PALR	HPI 5470 APLR,PALR	HPI 6070 APLR,PALR	HPI 6470 APLR,PALR
7' 3 1/2" 7' 3"					
	HPI 4073 APLR,PALR	HPI 5073 APLR,PALR	HPI 5473 APLR,PALR	HPI 6073 APLR,PALR	HPI 6473 APLR,PALR
8' 0 1/2" 8' 0"					
	HPI 4080 APLR,PALR	HPI 5080 APLR,PALR	HPI 5480 APLR,PALR	HPI 6080 APLR,PALR	HPI 6480 APLR,PALR
8' 3 1/2" 8' 3"					
	HPI 4083 APLR,PALR	HPI 5083 APLR,PALR	HPI 5483 APLR,PALR	HPI 6083 APLR,PALR	HPI 6483 APLR,PALR

NOTES

All doors and sidelights use safety/tempered glass.

The minimum vertical mullion for doors and sidelights is 1/2".

See handing chart on page 130 for operation options.

Use structural mullions when necessary or required by code.

For a metric conversion in millimeters, multiply dimensions in inches by 25.4.

Inswing Frame Height (using ADA Sill)
= Standard Inswing Frame Height – 15/16"

FORMULA FOR COMBINATION DOORS

The overall frame dimension (both width and height) is equal to the sum of the individual unit frame dimensions plus mull dimension(s).

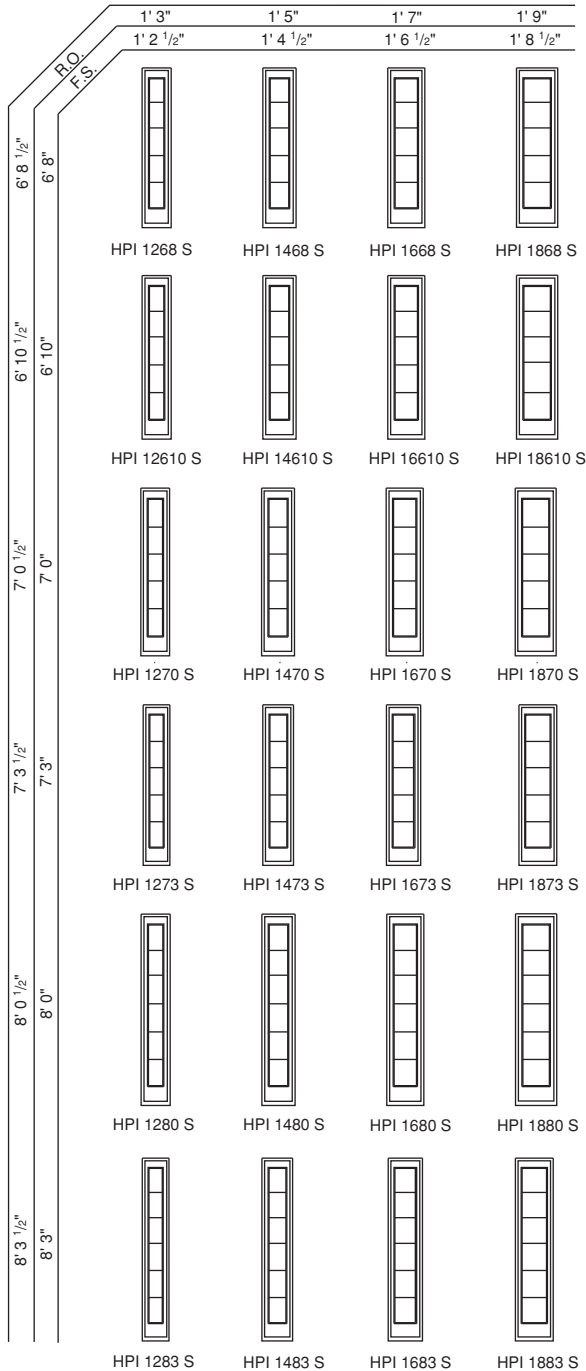
The overall rough opening (both width and height) is equal to the overall frame dimensions plus 1/4" on all sides.

Any unit within each combination can be operating or fixed except for direct glazed units and transoms.

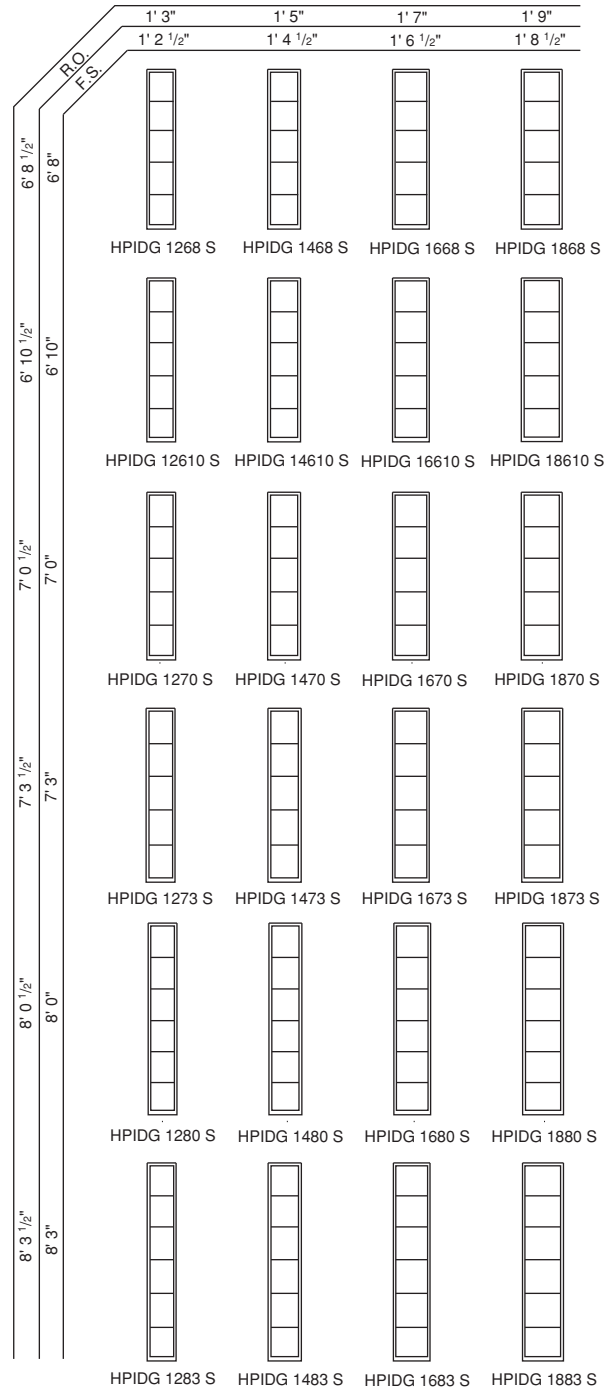
ALSO AVAILABLE AS:

Stationary Doors SS
Center Post Doors SAR, ASL, SAL, ASR

Inswing Sidelight Sizes



Inswing Direct Glazed Sidelight Sizes



NOTES

All doors and sidelights use safety/tempered glass.

The minimum vertical mullion for doors and sidelights is 1/2". When mulling a venting sidelight to a door, the minimum vertical mullion is 2".

Use structural mullions when necessary or required by code.

The light patterns illustrated apply to removable wood grilles, Modern Divided Lights, Classic Divided Lights, Deco 100, 150 and 400 and between-glass grilles. All removable wood grilles will be installed in the units unless otherwise specified.

For a metric conversion in millimeters, multiply dimensions in inches by 25.4.

Inswing Frame Height (using ADA Sill)

= Standard Inswing Frame Height - 15/16"

FORMULA FOR COMBINATION DOORS

The overall frame dimension (both width and height) is equal to the sum of the individual unit frame dimensions plus mull dimension(s).

The overall rough opening (both width and height) is equal to the overall frame dimensions plus 1/4" on all sides.

Any unit within each combination can be operating or fixed except for direct glazed units and transoms.

Andersen® E-Series Inswing Hinged Patio Door Rectangular Sash-Set Transom Sizes

	2' 1"	2' 7"	2' 9"	3' 1"	3' 3"	4' 0 ¹ / ₂ "	5' 0 ¹ / ₂ "	5' 4 ¹ / ₂ "	6' 0 ¹ / ₂ "	6' 4 ¹ / ₂ "
	2' 0 ¹ / ₂ "	2' 6 ¹ / ₂ "	2' 8 ¹ / ₂ "	3' 0 ¹ / ₂ "	3' 2 ¹ / ₂ "	4' 0"	5' 0"	5' 4"	6' 0"	6' 4"
RO. F.S.										
1' 2"										
1' 4"										
1' 6"										
1' 8"										
2' 0"										
2' 4"										
2' 6"										
2' 8"										
3' 0"										

Inswing Hinged Patio Door Rectangular Sash-Set Transom Sizes

	1' 3"	1' 5"	1' 7"	1' 9"
	1' 2 ¹ / ₂ "	1' 4 ¹ / ₂ "	1' 6 ¹ / ₂ "	1' 8 ¹ / ₂ "
RO. F.S.				
1' 2"				
1' 4"				
1' 6"				
1' 8"				
2' 0"				
2' 4"				
2' 6"				
2' 8"				
3' 0"				

NOTES

If glass is positioned within 18" of the finished floor, safety/tempered glass may be required. Local codes may differ. Verify tempered glass requirements with your local building code official.

Use structural mullions when necessary or required by code.

The light patterns illustrated apply to removable wood grilles, Modern Divided Lights, Classic Divided Lights, Deco 100, 150 and 400 and between-glass grilles. All removable wood grilles will be installed in the units unless otherwise specified. The staggered light patterns illustrated align with light patterns in double doors. Other light patterns are available upon request.

For a metric conversion in millimeters, multiply dimensions in inches by 25.4.

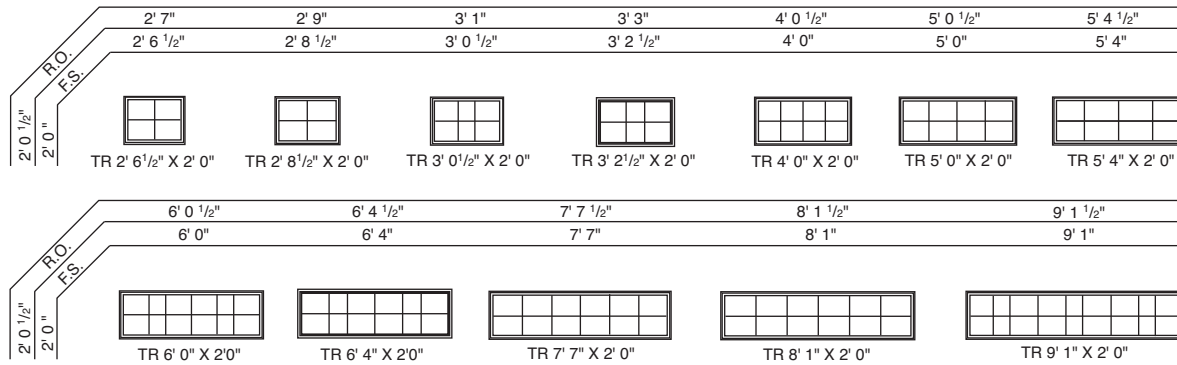
FORMULA FOR COMBINATION DOORS

The overall frame dimension (both width and height) is equal to the sum of the individual unit frame dimensions plus mull dimension(s).

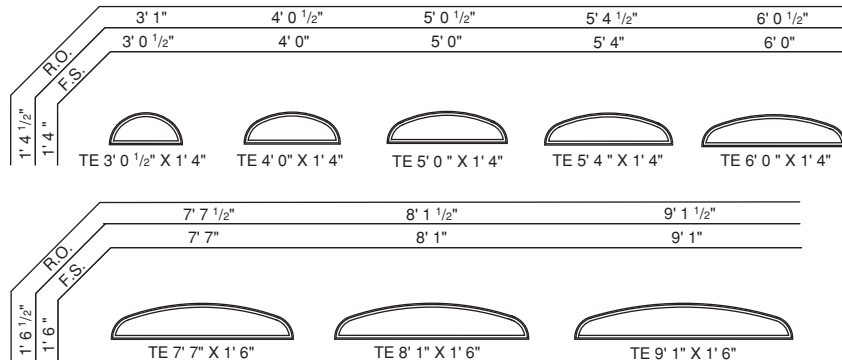
The overall rough opening (both width and height) is equal to the overall frame dimensions plus 1/4" on all sides.

Any unit within each combination can be operating or fixed except for direct glazed units and transoms.

Andersen® E-Series Inswing Hinged Patio Door Rectangular Direct-Set Transom Sizes (Auxiliary Frame)



Inswing Hinged Patio Door Elliptical Direct-Set Transom Sizes (Auxiliary Frame)



NOTES

If glass is positioned within 18" of the finished floor, safety/tempered glass may be required. Local codes may differ. Verify tempered glass requirements with your local building code official.

- 2'6-1/2" wide transoms are used above 2668, 26610 or 2680 Inswing Hinged Patio Doors.
- 2'8-1/2" wide transoms are used above 2868, 28610 or 2880 Inswing Hinged Patio Doors.
- 3'0-1/2" wide transoms are used above 3068, 30610 or 3080 Inswing Hinged Patio Doors.
- 4'0" wide transoms are used above 4068, 40610 or 4080 Inswing Hinged Patio Doors.
- 5'0" wide transoms are used above 5068, 50610 or 5080 Inswing Hinged Patio Doors.
- 5'4" wide transoms are used above 5468, 54610 or 5480 Inswing Hinged Patio Doors.
- 6'0" wide transoms are used above 6068, 60610 or 6080 Inswing Hinged Patio Doors.
- 7'7" wide transoms are used above 5068/50610/5080 Inswing Hinged Patio Doors with 2668/26610/2680 Sidelights.
- 8'1" wide transoms are used above 5468/54610/5480 Inswing Hinged Patio Doors with 2868/28610/2880 Sidelights.
- 9'1" wide transoms are used above 6068/60610/6080 Inswing Hinged Patio Doors with 3068/30610/3080 Sidelights.

Use structural mullions when necessary or required by code.

The light patterns illustrated apply to removable wood grilles, Modern Divided Lights, Classic Divided Lights, Deco 100, 150 and 400 and between-glass grilles. All removable wood grilles will be installed in the units unless otherwise specified. The staggered light patterns illustrated align with light patterns in double doors. Other light patterns are available upon request.

For a metric conversion in millimeters, multiply dimensions in inches by 25.4.

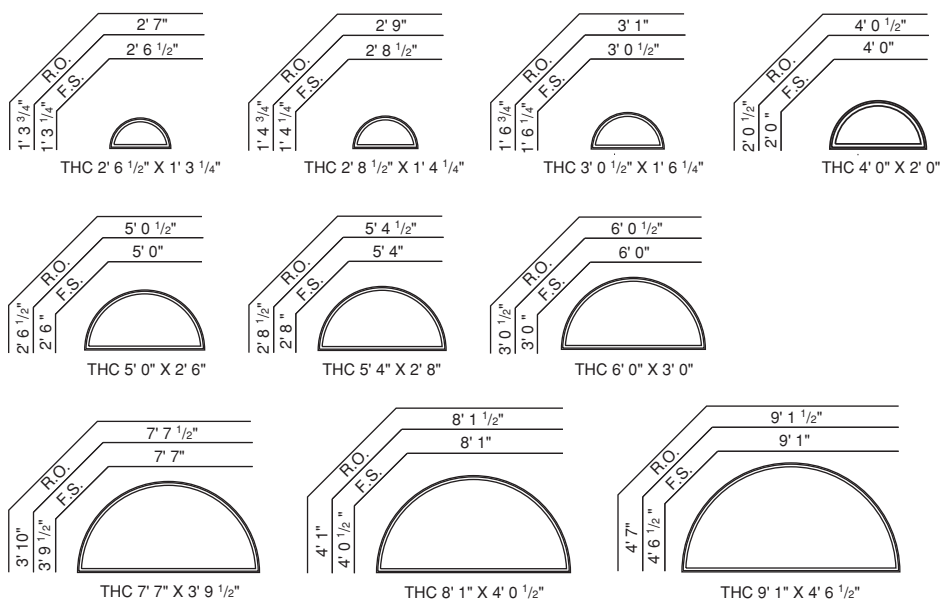
FORMULA FOR COMBINATION DOORS

The overall frame dimension (both width and height) is equal to the sum of the individual unit frame dimensions plus mull dimension(s).

The overall rough opening (both width and height) is equal to the overall frame dimensions plus 1/4" on all sides.

Any unit within each combination can be operating or fixed except for direct glazed units and transoms.

Andersen® E-Series Inswing Hinged Patio Door Half-Circle Direct-Set Transom Sizes (Auxiliary Frame)



Inswing Hinged Patio Door Rectangular Direct Glazed Transom Sizes

	2' 1"	2' 7"	2' 9"	3' 1"	3' 3"	4' 0 1/2"	5' 0 1/2"	5' 4 1/2"	6' 0 1/2"	6' 4 1/2"
	2' 0 1/2"	2' 6 1/2"	2' 8 1/2"	3' 0 1/2"	3' 2 1/2"	4' 0"	5' 0"	5' 4"	6' 0"	6' 4"
HPIDT2012	HPIDT2612	HPIDT2812	HPIDT3012	HPIDT3212	HPIDT4012	HPIDT5012	HPIDT5412	HPIDT6012	HPIDT6412	
HPIDT2014	HPIDT2614	HPIDT2814	HPIDT3014	HPIDT3214	HPIDT4014	HPIDT5014	HPIDT5414	HPIDT6014	HPIDT6414	
HPIDT2016	HPIDT2616	HPIDT2816	HPIDT3016	HPIDT3216	HPIDT4016	HPIDT5016	HPIDT5416	HPIDT6016	HPIDT6416	
HPIDT2018	HPIDT2618	HPIDT2818	HPIDT3018	HPIDT3218	HPIDT4018	HPIDT5018	HPIDT5418	HPIDT6018	HPIDT6418	
HPIDT2020	HPIDT2620	HPIDT2820	HPIDT3020	HPIDT3220	HPIDT4020	HPIDT5020	HPIDT5420	HPIDT6020	HPIDT6420	

NOTES

If glass is positioned within 18" of the finished floor, safety/tempered glass may be required. Local codes may differ. Verify tempered glass requirements with your local building code official.

- 2'6-1/2" wide transoms are used above 2668, 26610 or 2680 Inswing Hinged Patio Doors.
- 2'8-1/2" wide transoms are used above 2868, 28610 or 2880 Inswing Hinged Patio Doors.
- 3'0-1/2" wide transoms are used above 3068, 30610 or 3080 Inswing Hinged Patio Doors.
- 4'0" wide transoms are used above 4068, 40610 or 4080 Inswing Hinged Patio Doors.
- 5'0" wide transoms are used above 5068, 50610 or 5080 Inswing Hinged Patio Doors.
- 5'4" wide transoms are used above 5468, 54610 or 5480 Inswing Hinged Patio Doors.
- 6'0" wide transoms are used above 6068, 60610 or 6080 Inswing Hinged Patio Doors.
- 7'7" wide transoms are used above 5068/50610/5080 Inswing Hinged Patio Doors with 2668/26610/2680 Sidelights.
- 8'1" wide transoms are used above 5468/54610/5480 Inswing Hinged Patio Doors with 2868/28610/2880 Sidelights.
- 9'1" wide transoms are used above 6068/60610/6080 Inswing Hinged Patio Doors with 3068/30610/3080 Sidelights.

Use structural mullions when necessary or required by code.

The light patterns illustrated apply to removable wood grilles, Modern Divided Lights, Classic Divided Lights, Deco 100, 150 and 400 and between-glass grilles. All removable wood grilles will be installed in the units unless otherwise specified. The staggered light patterns illustrated align with light patterns in double doors. Other light patterns are available upon request.

For a metric conversion in millimeters, multiply dimensions in inches by 25.4.

FORMULA FOR COMBINATION DOORS

The overall frame dimension (both width and height) is equal to the sum of the individual unit frame dimensions plus mull dimension(s).

The overall rough opening (both width and height) is equal to the overall frame dimensions plus 1/4" on all sides.

Any unit within each combination can be operating or fixed except for direct glazed units and transoms.

Andersen® E-Series Inswing Hinged Patio Door Rectangular Direct Glazed Transom Sizes

RO FS	2' 1"	2' 7"	2' 9"	3' 1"	3' 3"	4' 0 1/2"	5' 0 1/2"	5' 4 1/2"	6' 0 1/2"	6' 4 1/2"
	2' 0 1/2"	2' 6 1/2"	2' 8 1/2"	3' 0 1/2"	3' 2 1/2"	4' 0"	5' 0"	5' 4"	6' 0"	6' 4"
2' 4 1/2"										
2' 4"	HPIDT2024	HPIDT2624	HPIDT2824	HPIDT3024	HPIDT3224	HPIDT4024	HPIDT5024	HPIDT5424	HPIDT6024	HPIDT6424
2' 6 1/2"										
2' 6"	HPIDT2026	HPIDT2626	HPIDT2826	HPIDT3026	HPIDT3226	HPIDT4026	HPIDT5026	HPIDT5426	HPIDT6026	HPIDT6426
2' 8 1/2"										
2' 8"	HPIDT2028	HPIDT2628	HPIDT2828	HPIDT3028	HPIDT3228	HPIDT4028	HPIDT5028	HPIDT5428	HPIDT6028	HPIDT6428
3' 0 1/2"										
3' 0"	HPIDT2030	HPIDT2630	HPIDT2830	HPIDT3030	HPIDT3230	HPIDT4030	HPIDT5030	HPIDT5430	HPIDT6030	HPIDT6430

Inswing Hinged Patio Door Rectangular Direct Glazed Transom Sizes

RO FS	1' 3"	1' 5"	1' 7"	1' 9"
	1' 2 1/2"	1' 4 1/2"	1' 6 1/2"	1' 8 1/2"
1' 2"				
1' 4"	HPIDT1212	HPIDT1412	HPIDT1612	HPIDT1812
1' 4 1/2"				
1' 4"	HPIDT1214	HPIDT1414	HPIDT1614	HPIDT1814
1' 6"				
1' 6"	HPIDT1216	HPIDT1416	HPIDT1616	HPIDT1816
1' 8"				
1' 8"	HPIDT1218	HPIDT1418	HPIDT1618	HPIDT1818
2' 0 1/2"				
2' 0"	HPIDT1220	HPIDT1420	HPIDT1620	HPIDT1820
2' 4 1/2"				
2' 4"	HPIDT1224	HPIDT1424	HPIDT1624	HPIDT1824
2' 6 1/2"				
2' 6"	HPIDT1226	HPIDT1426	HPIDT1626	HPIDT1826
2' 8 1/2"				
2' 8"	HPIDT1228	HPIDT1428	HPIDT1628	HPIDT1828
3' 0 1/2"				
3' 0"	HPIDT1230	HPIDT1430	HPIDT1630	HPIDT1830

NOTES

If glass is positioned within 18" of the finished floor, safety/tempered glass may be required. Local codes may differ. Verify tempered glass requirements with your local building code official.

Use structural mullions when necessary or required by code.

The light patterns illustrated apply to removable wood grilles, Modern Divided Lights, Classic Divided Lights, Deco 100, 150 and 400 and between-glass grilles. All removable wood grilles will be installed in the units unless otherwise specified. The staggered light patterns illustrated align with light patterns in double doors. Other light patterns are available upon request.

For a metric conversion in millimeters, multiply dimensions in inches by 25.4.

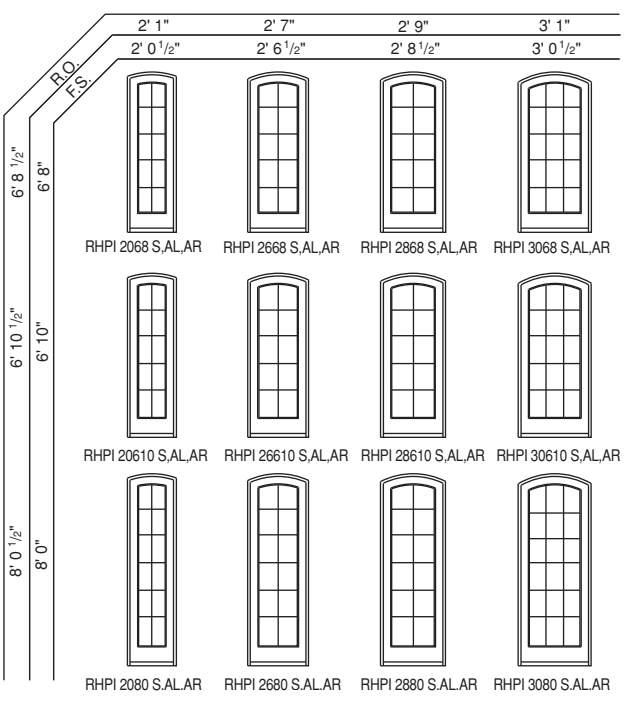
FORMULA FOR COMBINATION DOORS

The overall frame dimension (both width and height) is equal to the sum of the individual unit frame dimensions plus mull dimension(s).

The overall rough opening (both width and height) is equal to the overall frame dimensions plus 1/4" on all sides.

Any unit within each combination can be operating or fixed except for direct glazed units and transoms.

Andersen® E-Series Single Inswing Radius Hinged Patio Door & Sidelight Sizes



NOTES

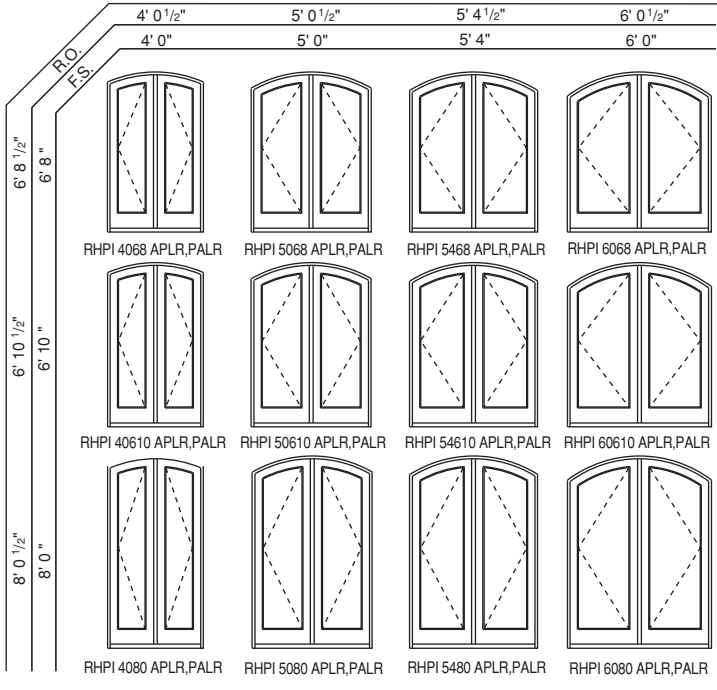
All doors and sidelights use safety/tempered glass.
 Single doors have a 3'0" radius.
 Double doors have a 5'0" radius.
 See handing chart on page 130 for operation options.
 Use structural mullions when necessary or required by code.
 The light patterns illustrated apply to removable wood grilles, Modern Divided Lights, Classic Divided Lights, Deco 100, 150 and 400 and between-glass grilles. All removable wood grilles will be installed in the units unless otherwise specified.
 For a metric conversion in millimeters, multiply dimensions in inches by 25.4.

Inswing Frame Height (using ADA Sill)
 = Standard Inswing Frame Height – 15/16"

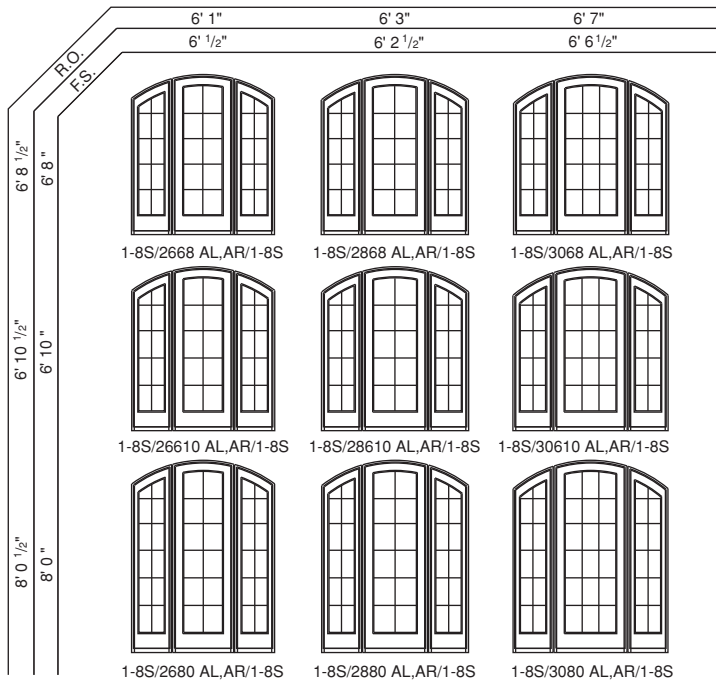
FORMULA FOR COMBINATION DOORS

The overall frame dimension (both width and height) is equal to the sum of the individual unit frame dimensions plus mull dimension(s).
 The overall rough opening (both width and height) is equal to the overall frame dimensions plus 1/4" on all sides.
 Any unit within each combination can be operating or fixed except for direct glazed units and transoms.

Double Inswing Radius Hinged Patio Door Sizes



Andersen® E-Series 3-Wide Inswing Radius Hinged Patio Door & Sidelight Sizes



NOTES
 All doors and sidelights use safety/tempered glass.
 3-wide doors have a 5' 0" radius.

See handing chart on page 130 for operation options.

Use structural mullions when necessary or required by code.

The light patterns illustrated apply to removable wood grilles, Modern Divided Lights, Classic Divided Lights, Deco 100, 150 and 400 and between-glass grilles. All removable wood grilles will be installed in the units unless otherwise specified.

For a metric conversion in millimeters, multiply dimensions in inches by 25.4.

Inswing Frame Height Formula
 (using ADA Sill)
 = Standard Inswing Frame Height - 15/16"

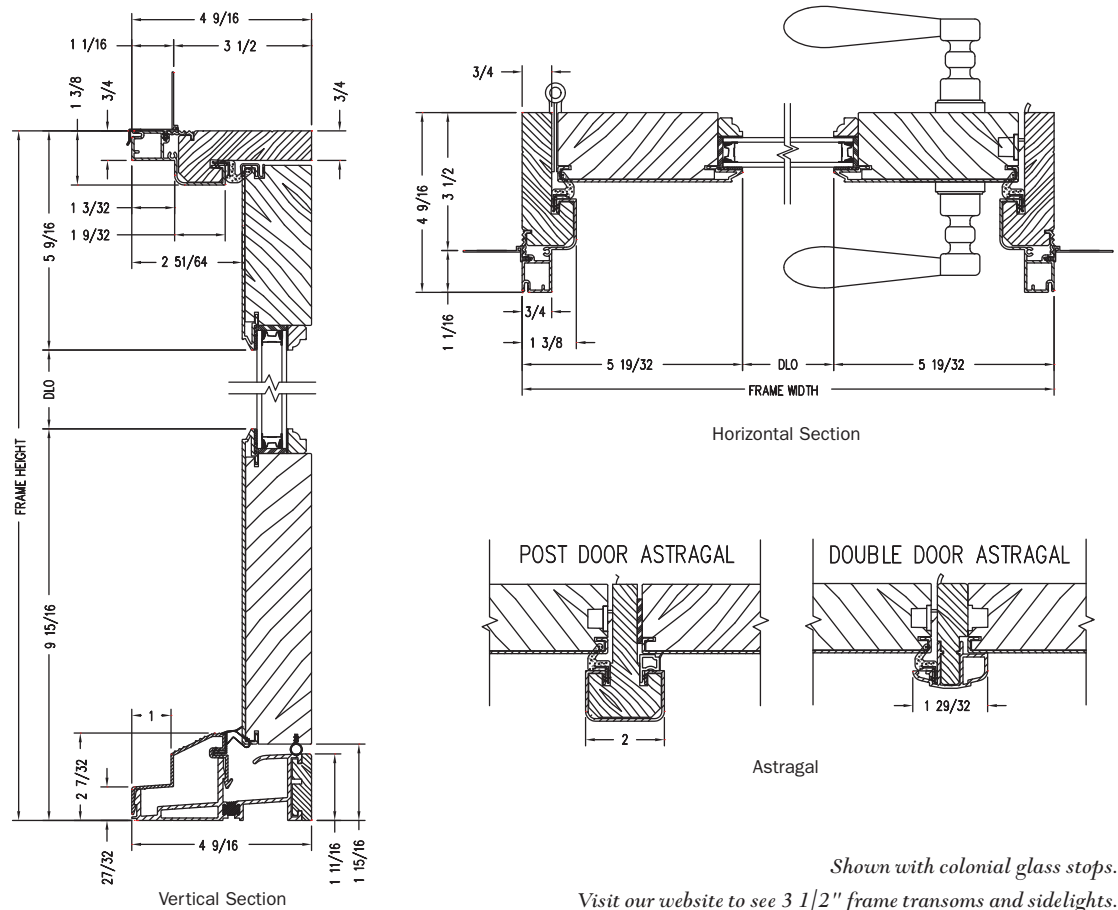
FORMULA FOR COMBINATION DOORS

The overall frame dimension (both width and height) is equal to the sum of the individual unit frame dimensions plus mull dimension(s).

The overall rough opening (both width and height) is equal to the overall frame dimensions plus 1/4" on all sides.

Any unit within each combination can be operating or fixed except for radius sidelights.

Inswing Hinged Patio Doors (3-1/2" Frame)



Shown with colonial glass stops.

Visit our website to see 3 1/2" frame transoms and sidelights.