

# SPECIALTY WINDOWS

## Table of Picture/Single Transom Window Sizes

Scale 1/8" (3) = 1'-0" (305) – 1:96

Window Dimension	11 1/2"	1'-5 1/2"	1'-11 1/2"	2'-5 1/2"	2'-11 1/2"	3'-5 1/2"	3'-11 1/2"	4'-5 1/2"	4'-11 1/2"	5'-5 1/2"
	(292)	(445)	(597)	(749)	(902)	(1054)	(1207)	(1359)	(1511)	(1664)
<b>Minimum Rough Opening</b>	1'-0"	1'-6"	2'-0"	2'-6"	3'-0"	3'-6"	4'-0"	4'-6"	5'-0"	5'-6"
	(305)	(457)	(610)	(762)	(914)	(1067)	(1219)	(1372)	(1524)	(1676)
Unobstructed Glass	5 1/4"	11 1/4"	17 1/4"	23 1/4"	29 1/4"	35 1/4"	41 1/4"	47 1/4"	53 1/4"	59 1/4"
	(133)	(286)	(438)	(591)	(743)	(895)	(1048)	(1200)	(1353)	(1505)

### CUSTOM WIDTHS – 11 1/2" to 7'-11 1/2"

CUSTOM HEIGHTS – 11 1/2" to 7'-11 1/2"	11 1/2"	1'-5 1/2"	1'-11 1/2"	2'-5 1/2"	2'-11 1/2"	3'-5 1/2"	3'-11 1/2"	4'-5 1/2"	4'-11 1/2"	5'-5 1/2"
11 1/2"	(292)	(445)	(597)	(749)	(902)	(1054)	(1207)	(1359)	(1511)	(1664)
1'-5 1/2"	(445)	(457)	(610)	(762)	(914)	(1067)	(1219)	(1372)	(1524)	(1676)
1'-11 1/2"	(597)	(610)	(610)	(762)	(914)	(1067)	(1219)	(1372)	(1524)	(1676)
2'-5 1/2"	(749)	(762)	(914)	(914)	(914)	(914)	(914)	(914)	(914)	(914)
2'-11 1/2"	(902)	(914)	(914)	(914)	(914)	(914)	(914)	(914)	(914)	(914)
3'-5 1/2"	(1054)	(1067)	(1067)	(1067)	(1067)	(1067)	(1067)	(1067)	(1067)	(1067)
3'-11 1/2"	(1207)	(1219)	(1219)	(1219)	(1219)	(1219)	(1219)	(1219)	(1219)	(1219)
4'-5 1/2"	(1359)	(1372)	(1372)	(1372)	(1372)	(1372)	(1372)	(1372)	(1372)	(1372)
4'-11 1/2"	(1511)	(1524)	(1524)	(1524)	(1524)	(1524)	(1524)	(1524)	(1524)	(1524)
5'-5 1/2"	(1664)	(1676)	(1676)	(1676)	(1676)	(1676)	(1676)	(1676)	(1676)	(1676)
5'-11 1/2"	(1816)	(1829)	(1829)	(1829)	(1829)	(1829)	(1829)	(1829)	(1829)	(1829)
6'-5 1/2"	(1969)	(1981)	(1981)	(1981)	(1981)	(1981)	(1981)	(1981)	(1981)	(1981)

- "Window Dimension" always refers to outside frame to frame dimension.
- "Minimum Rough Opening" dimensions may need to be increased to allow for use of building wraps, flashing, sill panning, brackets, fasteners or other items.
- Dimensions in parentheses are in millimeters.

Notes on this page also apply to the previous page.

5'-11 1/2" (1816)	6'-5 1/2" (1969)	6'-11 1/2" (2121)	7'-5 1/2" (2273)	7'-11 1/2" (2426)
6'-0" (1829)	6'-6" (1981)	7'-0" (2134)	7'-6" (2286)	8'-0" (2438)
65 1/4" (1657)	71 1/4" (1810)	77 1/4" (1962)	83 1/4" (2115)	89 1/4" (2267)



Custom-size windows are available  
in 1/8" (3) increments.

6010	6610	7010	7610	8010
6016	6616	7016	7616	8016
6020	6620	7020	7620	8020
6026	6626	7026	7626	8026
6030	6630	7030	7630	8030
6036	6636	7036	7636	8036
6040	6640	7040	7640	8040
6046	6646	7046	7646	8046
6050	6650	7050	7650	8050
6056	6656	7056	7656	8056
6060	6660	7060	7660	8060
6066				

*continued on next page*

- "Window Dimension" always refers to outside frame to frame dimension.
- **"Minimum Rough Opening" dimensions may need to be increased to allow for use of building wraps, flashing, sill panning, brackets, fasteners or other items.**
- Dimensions in parentheses are in millimeters.

# SPECIALTY WINDOWS

**Table of Picture/Single Transom Window Sizes** (continued)

Notes on the next page also apply to this page.

Scale 1/8" (3) = 1'-0" (305) – 1:96

Window Dimension	11 1/2"	1'-5 1/2"	1'-11 1/2"	2'-5 1/2"	2'-11 1/2"	3'-5 1/2"	3'-11 1/2"	4'-5 1/2"	4'-11 1/2"	5'-5 1/2"
	(292)	(445)	(597)	(749)	(902)	(1054)	(1207)	(1359)	(1511)	(1664)
<b>Minimum Rough Opening</b>	1'-0"	1'-6"	2'-0"	2'-6"	3'-0"	3'-6"	4'-0"	4'-6"	5'-0"	5'-6"
	(305)	(457)	(610)	(762)	(914)	(1067)	(1219)	(1372)	(1524)	(1676)
Unobstructed Glass	5 1/4"	11 1/4"	17 1/4"	23 1/4"	29 1/4"	35 1/4"	41 1/4"	47 1/4"	53 1/4"	59 1/4"
	(133)	(286)	(438)	(591)	(743)	(895)	(1048)	(1200)	(1353)	(1505)

**CUSTOM WIDTHS – 11 1/2" to 7'-11 1/2"**

CUSTOM HEIGHTS – 11 1/2" to 7'-11 1/2"	CUSTOM WIDTHS – 11 1/2" to 7'-11 1/2"									
	11 1/2"	1'-5 1/2"	1'-11 1/2"	2'-5 1/2"	2'-11 1/2"	3'-5 1/2"	3'-11 1/2"	4'-5 1/2"	4'-11 1/2"	5'-5 1/2"
6'-11 1/2" (2121)	1070	1670	2070	2670	3070	3670	4070	4670	5070	5670
7'-5 1/2" (2273)	1076	1676	2076	2676	3076	3676	4076	4676	5076	5676
7'-11 1/2" (2426)	1080	1680	2080	2680	3080	3680	4080	4680	5080	5680

- "Window Dimension" always refers to outside frame to frame dimension.
- "Minimum Rough Opening" dimensions may need to be increased to allow for use of building wraps, flashing, sill panning, brackets, fasteners or other items.
- Dimensions in parentheses are in millimeters.

5'-11 1/2"
(1816)
6'-0"
(1829)
65 1/4"
(1657)



**Custom-size windows are available  
in 1/8" (3) increments.**



6070



6076



6080

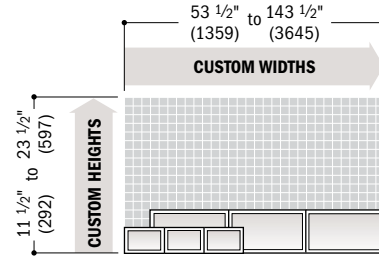
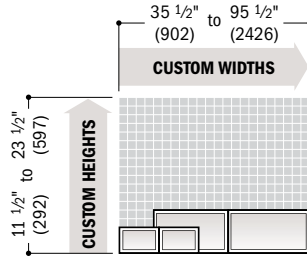
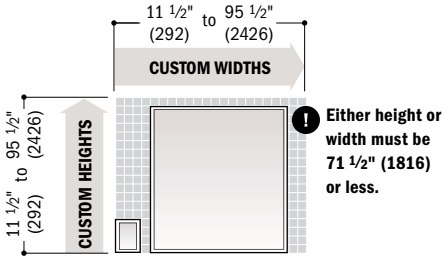
- "Window Dimension" always refers to outside frame to frame dimension.
- **"Minimum Rough Opening" dimensions may need to be increased to allow for use of building wraps, flashing, sill panning, brackets, fasteners or other items.**
- Dimensions in parentheses are in millimeters.

Custom Sizes & Specifications



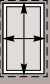
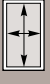
100 Series custom-size windows are available in 1/8" (3) increments between minimum and maximum widths and heights shown. Some restrictions apply.

Picture/Transom Windows


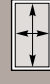


Triple transom windows with unequal sash are not available in custom sizes.

Picture/Single Transom

<b>Minimum R.O.</b> 	Width = transom width + 1/2" (13) Height = transom height + 1/2" (13)
<b>Unostr. Glass</b> 	Width = window width - 6.250" (159) Height = window height - 6.250" (159)

Twin and Triple Transom

<b>Minimum R.O.</b> 	<b>Twin</b> Width = transom width + 1/2" (13) Height = transom height + 1/2" (13)	<b>Triple</b> Width = transom width + 1/2" (13) Height = transom height + 1/2" (13)
<b>Unostr. Glass</b> 	<b>Twin</b> Single Sash Width = (window width + 2) - 6.500" (165) Total Sash Width = window width - 13.000" (330) Height = window height - 6.250" (159)	<b>Triple</b> Single Sash Width = (window width + 3) - 6.583" (167) Total Sash Width = window width - 19.750" (502) Height = window height - 6.250" (159)