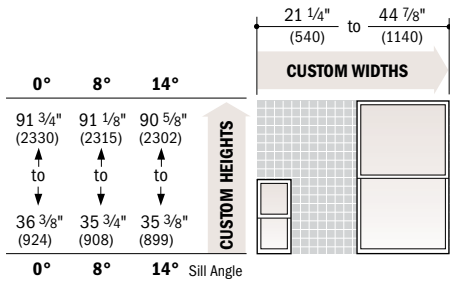
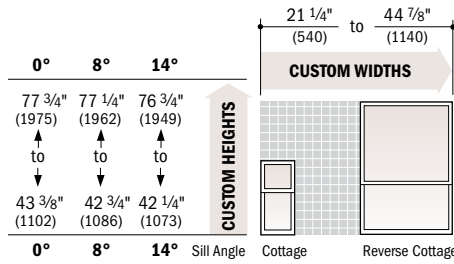


Tilt-Wash Insert Window Size Ranges

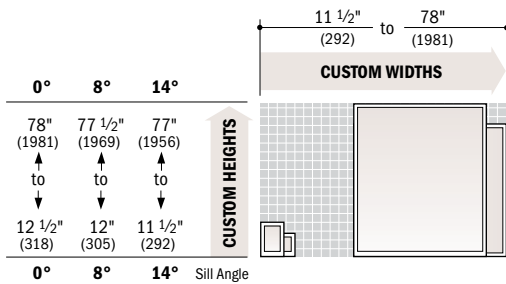
Double-Hung - Equal Sash



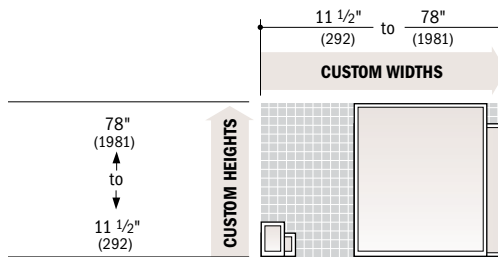
Double-Hung - Cottage & Reverse Cottage Sash



Picture



Transom



Available in 1/8" (3) increments between minimum and maximum widths and heights. Height limits for double-hung and picture insert windows depend on new insert window sill angle.

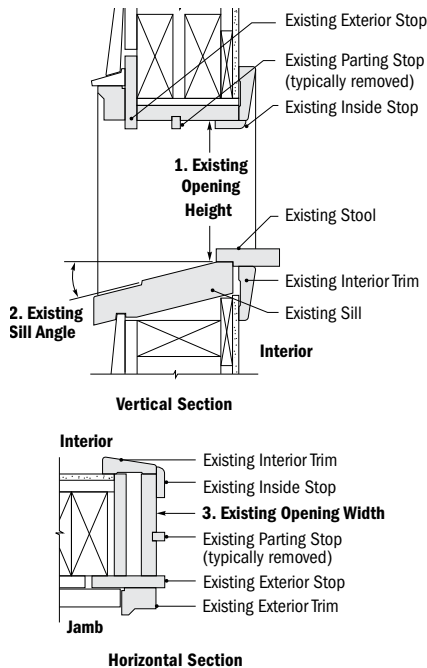
For picture and transom insert windows, either height or width must be 68" (1727) or less and height plus width cannot be less than 28" (711).

Measurement guide for custom sized windows can be found at andersenwindows.com/measure.

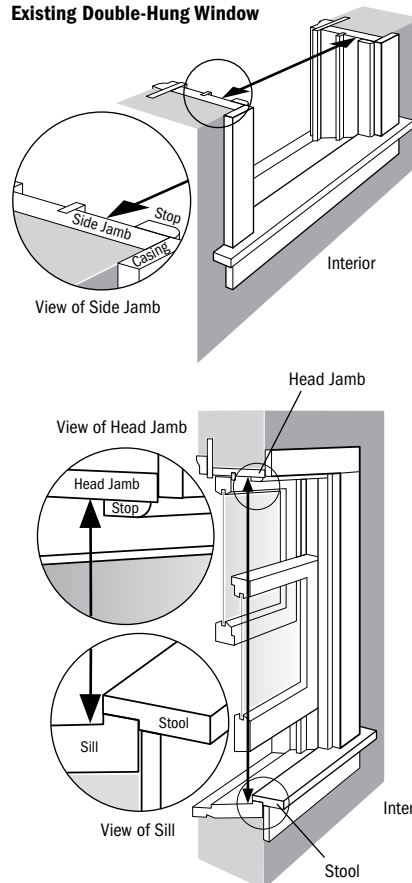
Existing Window Measurement

Required measurements:

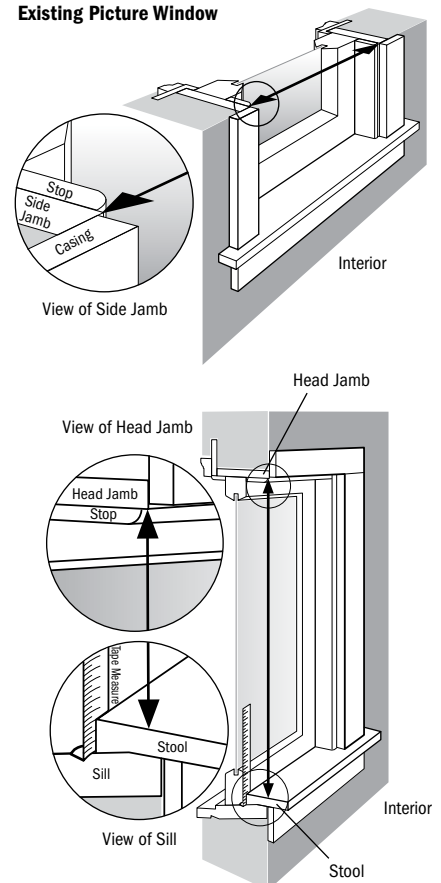
- Existing Opening Height
- Existing Sill Angle
- Existing Opening Width



Existing Double-Hung Window



Existing Picture Window



• Details are for illustration only and are not intended to represent product installation methods or materials. Refer to product installation guides at andersenwindows.com.
 • Dimensions in parentheses are in millimeters.
 • Refer to andersenwindows.com/measure for detailed instructions on how to properly measure for insert windows.