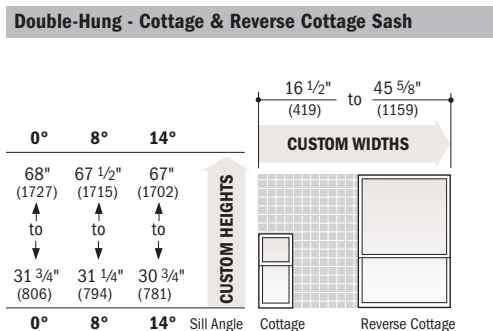
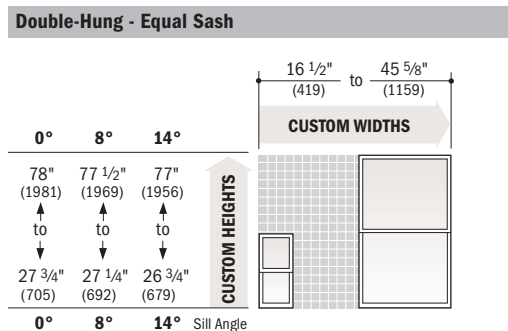
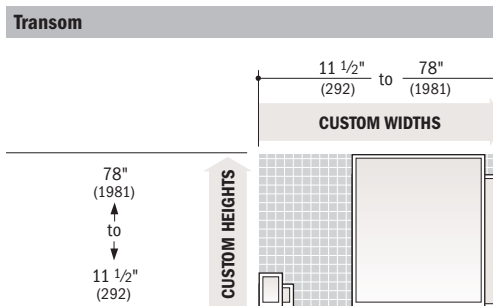
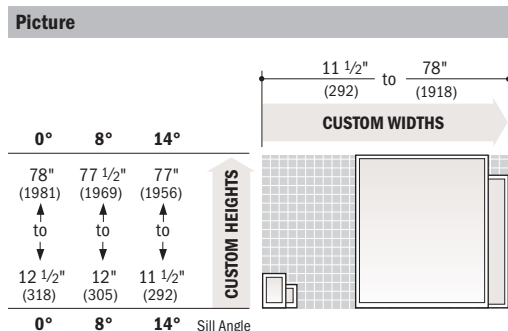


WOODWRIGHT® INSERT WINDOWS

Woodwright® Insert Window Size Ranges



Available in 1/8" (3) increments between minimum and maximum widths and heights. Height limits for double-hung and picture insert windows depend on new insert window sill angle.



For picture and transom insert windows, either height or width must be 68" (1727) or less and height plus width cannot be less than 28" (711).

Measurement guide for custom sized windows can be found at andersenwindows.com/measure.

Woodwright® Double-Hung Insert Window Opening Specifications

Sash Ratio	Clear Opening Height	Sill Angle Deductions		
		14°	8°	0°
Equal	$\left(\frac{\text{Window Height}}{2}\right) \text{ minus Sill Angle Deduction}$	3 3/16" (81)	3 7/16" (87)	3 3/4" (95)
Cottage (2:3 ratio)	$\left(\frac{\text{Window Height} \times 2}{5}\right) \text{ minus Sill Angle Deduction}$	2 7/8" (73)	3 1/16" (78)	3 1/4" (83)
Reverse Cottage (3:2 ratio)	$\left(\frac{\text{Window Height} \times 2}{5}\right) \text{ minus Sill Angle Deduction}$	2 3/8" (60)	2 9/16" (65)	2 13/16" (71)

Optional Estate™ hardware will reduce clear opening height and vent opening height by 7/32" (6).

Sash Ratio	Vent Opening Height	Sill Angle Deductions		
		14°	8°	0°
Equal	$\left(\frac{\text{Window Height}}{2}\right) \text{ minus Sill Angle Deduction}^*$	2 3/4" (70)	2 15/16" (75)	3 1/4" (83)
Cottage (2:3 ratio)	$\left(\frac{\text{Window Height} \times 2}{5}\right) \text{ minus Sill Angle Deduction}^*$	1 15/16" (49)	2 1/8" (54)	2 3/8" (60)
Reverse Cottage (3:2 ratio)	$\left(\frac{\text{Window Height} \times 2}{5}\right) \text{ minus Sill Angle Deduction}^*$	3 9/16" (90)	3 13/16" (97)	4 13/16" (122)

* If window is under 48" (1219) in height subtract 6 1/2" (165). If window is 48" (1219) or greater in height subtract 11 1/2" (292).

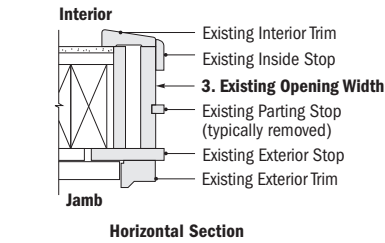
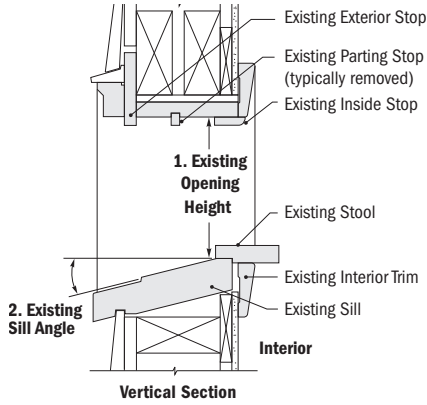
Sash Ratio	Unobstructed Glass Height	Sill Angle Deductions		
		14°	8°	0°
Equal (total)	Window Height minus Sill Angle Deduction	7 7/8" (200)	8 3/8" (213)	9" (229)
Cottage - upper sash (2:3 ratio) Reverse Cottage - lower sash (3:2 ratio)	$\left(\frac{\text{Window Height} \times 2}{5}\right) \text{ minus Sill Angle Deduction}$	3 3/16" (81)	3 3/8" (86)	3 5/8" (92)
Cottage - lower sash (2:3 ratio) Reverse Cottage - lower sash (3:2 ratio)	$\left(\frac{\text{Window Height} \times 3}{5}\right) \text{ minus Sill Angle Deduction}$	4 3/4" (121)	5 1/16" (129)	5 7/16" (138)

• Dimensions in parentheses are in millimeters.
• Refer to andersenwindows.com/measure for detailed instructions on how to properly measure for insert windows.

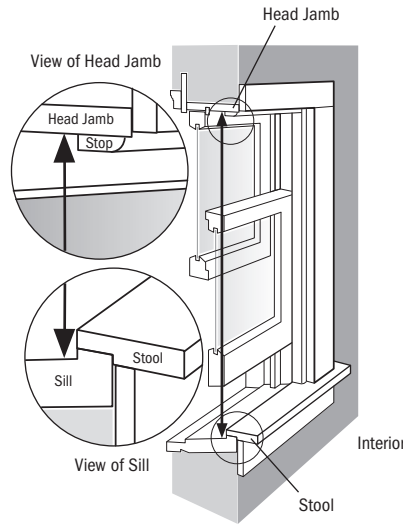
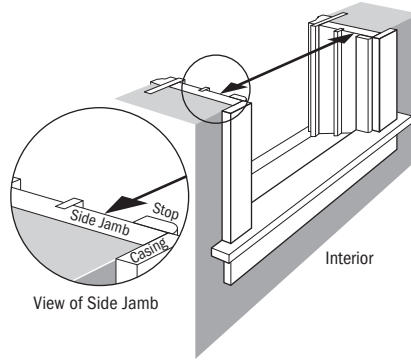
Existing Window Measurement

Required measurements:

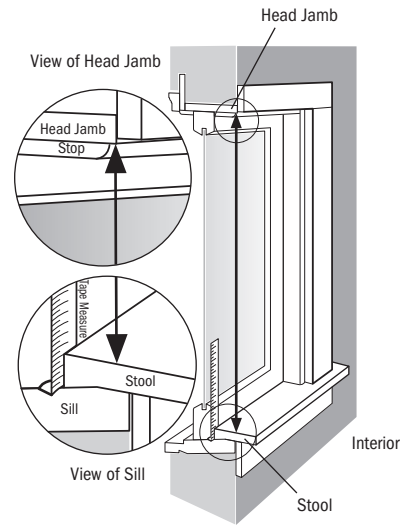
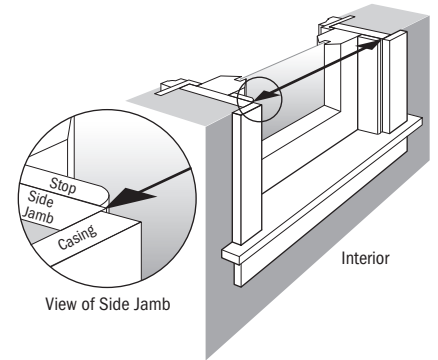
1. Existing Opening Height
2. Existing Sill Angle
3. Existing Opening Width



Existing Double-Hung Window



Existing Picture Window

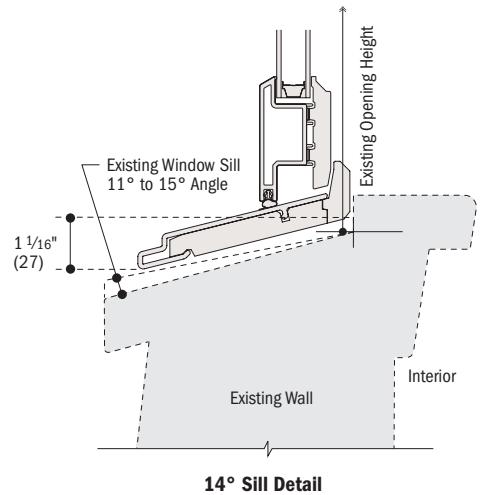
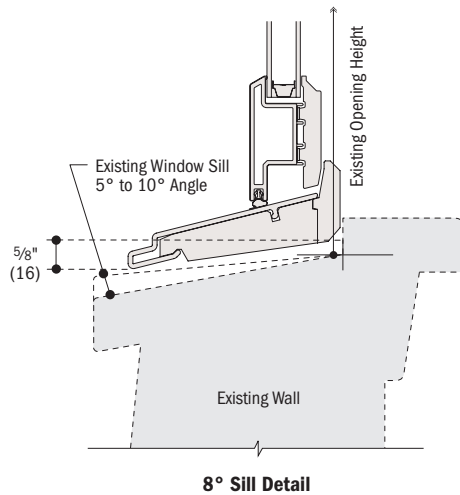
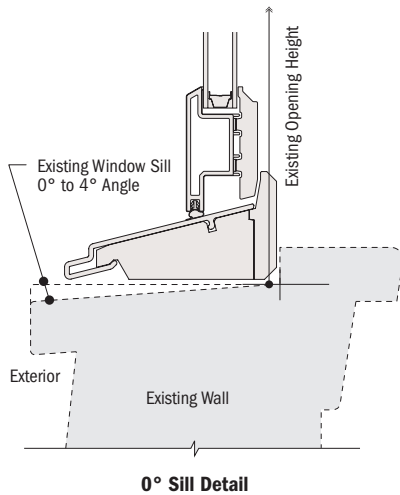


Sill Angle Details

Scale 3" (76) = 1'-0" (305) – 1:4

Select a sill angle that most closely matches your existing sill angle.

Windows with a smaller sill angle will have a larger maximum height.



- Details are for illustration only and are not intended to represent product installation methods or materials. Refer to product installation guides at andersenwindows.com.
- Dimensions in parentheses are in millimeters.
- Refer to andersenwindows.com/measure for detailed instructions on how to properly measure for insert windows.